

ETD Index

Index Page 01 to 02

A ETD

Profiles

Technical Information Page 03 to 05

Scaled Profile Drawings Page 06 to 12

B ETD

Accessories

Photos & Drawings Page 13 to 26

C ETD

Sections

Open In - Scaled Elevations Page 27 to 50

Open Out - Scaled Elevations Page 51 to 76

Open Out - Scaled Elevations - with Reverse Adapter Page 57 to 57

D ETD

Statics

Open In - Details Not Yet Available Page 77 to 78

Open Out - Details Not Yet Available Page 79 to 80

E ETD

Construction Drawings << Open In Index with Open Out Index>> Page 81 to 82

1 - Corner Jointing Page 83 to 89

2 - Transom/Mullion Fixings Page 90 to 93

3 - Stays / Hinges Page 94 to 94

4 - Locking Hardware Page 95 to 109

5 - Bead & Glazing Page 110 to 110

6 - Drainage Page 111 to 113

7 - Miscellaneous Page 114 to 118

E ETD

Construction Drawings << Open Out Index with Open In Index Page 117 to 118

1 - Corner Jointing Page 119 to 125

2 - Transom/Mullion Fixings Page 126 to 129

3 - Stays / Hinges Page 130 to 130

4 - Locking Hardware Page 131 to 145

5 - Bead & Glazing Page 146 to 146

6 - Drainage Page 147 to 149

7 - Miscellaneous Page 150 to 152

F ETD

Sawing Tables << Open In >>

Cutting Information Page 153 to 159

Sawing Tables << Open Out >>

Cutting Information Page 160 to 160





This Page Left Intentionally Blank

Profiles

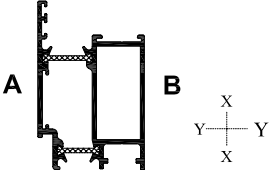
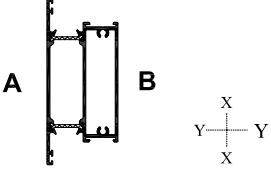
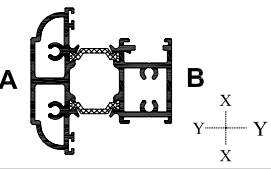
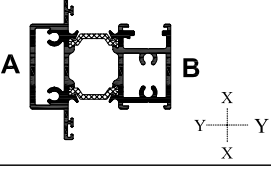
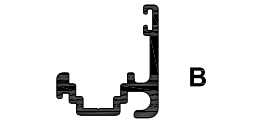
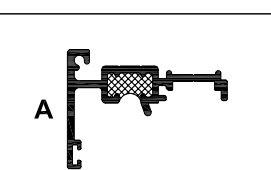
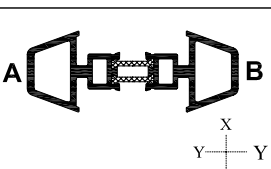
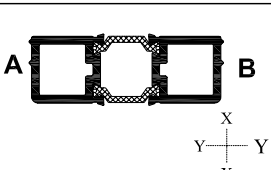
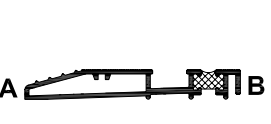
Drawing Number: aETD-01-00

Number	Picture	Page	Perim. mm	Mec. mm	lxx cm4	lyy cm4	Length	Pack pr.	MF	SA	KL	HP	M
ETC046		6	178	41	-	-	6.5	1	X	X	X	X	
ETC160		6	95	23	-	-	6.5	1	X	X	X	X	
ETC161		6	115	27	-	-	6.5	1	X	X	X	X	
ETC162		6	123	31	-	-	6.5	1	X	X	X	X	
ETC163		6	106	26	-	-	6.5	1	X	X	X	X	
ETC164		6	103	25	-	-	6.5	1	X	X	X	X	
ETD010		7	302	89	10.4 ----- 4.3	3.9 ----- 2.1	6.5	1	X	X	X	X	X
ETD014		7	340	107	26.8 ----- 7.3	6.1 ----- 3.1	6.5	1	X	X	X	X	X
ETD018		7	345	110	25.8 ----- 7.2	5.2 ----- 2.7	6.5	1	X	X	X	X	X

MF = Mill Finish
SA = Silver Anodised
KL = Basic Colour
HP = Special Colour
M = Dual Colour

GOZ = Gold
W = White
Z = Black

A = Outside
B = Inside

Number	Picture	Page	Perim. mm	Mec. mm	Ixx cm ⁴	Iyy cm ⁴	Length	Pack pr.	MF	SA	KL	HP	M
ETD020		8	354	151	15.4 ----- 6.3	21.4 ----- 6.6	6.5	1	X	X	X	X	X
ETD030		8	418	203	21.6 ----- 8.7	57.3 ----- 10.5	6.5	1	X	X	X	X	X
ETD031		9	352	138	29.9 ----- 8.7	16.3 ----- 5.1	6.5	1	X	X	X	X	X
ETD32		9	362	146	27.8 ----- 8.7	13 ----- 4.1	4	-	-	-	-	-	-
ETD045		9	172	32	-	-	5	1	X	X	X	X	
ETD046		9	239	47	-	-	5	1	X	X	X	X	
ETD051		10	335	140	65.3 ----- 14	5.7 ----- 3.2	6.5	1	X	X	X	X	X
ETD053		10	175	0	19.4 ----- 6.0	2.7 ----- 2.3	6.5	1	X				
ETD090		11	269	144	-	-	5	1	X	X	X	X	

A = Outside
B = Inside

GOZ = Gold
W = White
Z = Black

MF = Mill Finish
SA = Silver Anodised
KL = Basic Colour
HP = Special Colour
M = Dual Colour

Profiles

Drawing Number: aETD-03-00

Number	Picture	Page	Perim. mm	Mec. mm	lxx cm4	lyy cm4	Length	Pack pr.	MF	SA	KL	HP	M
ETD092		11	172	25	-	-	5	1	X	X	X	X	
ETD093		11	221	70	-	-	5	1	X	X	X	X	
ETD094		11	165	76	-	-	6.5	1	X				
ETD095		11	239	29	-	-	6.5	1	X	X	X	X	X
EUD03		11	113	39	-	-	4	1	X				
PCX15		11	163	-	-	-	4	1	X				
PCX16		11	45	22	-	-	5	1	X				
VL72		11	101	54	-	-	6.5	1	X	X	X	X	

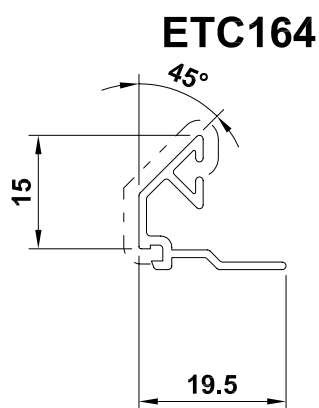
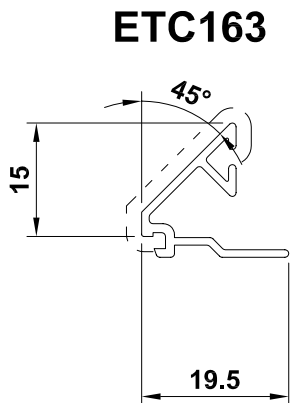
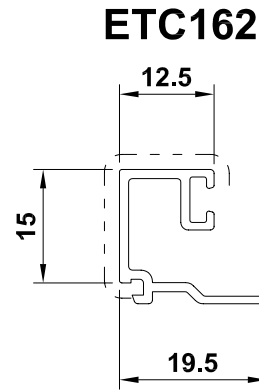
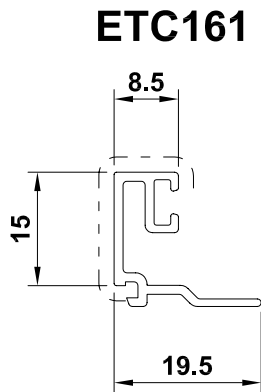
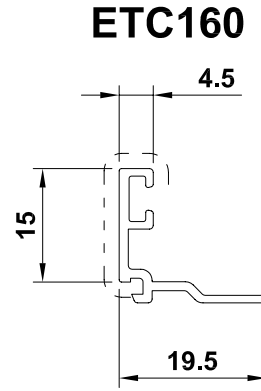
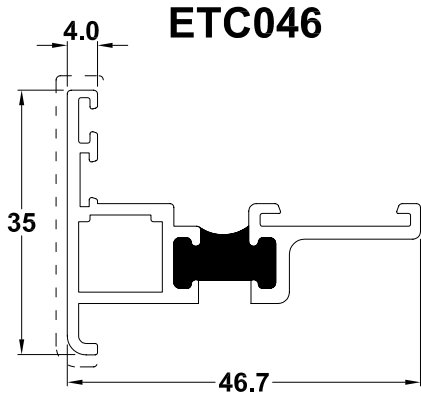
MF = Mill Finish
SA = Silver Anodised
KL = Basic Colour
HP = Special Colour
M = Dual Colour

GOZ = Gold
W = White
Z = Black

A = Outside
B = Inside

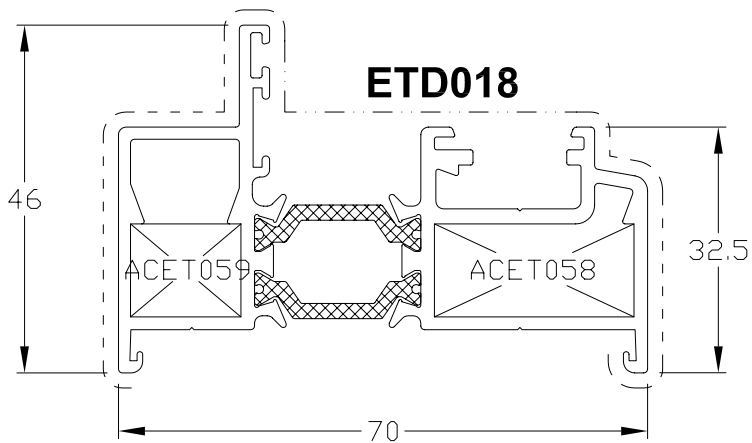
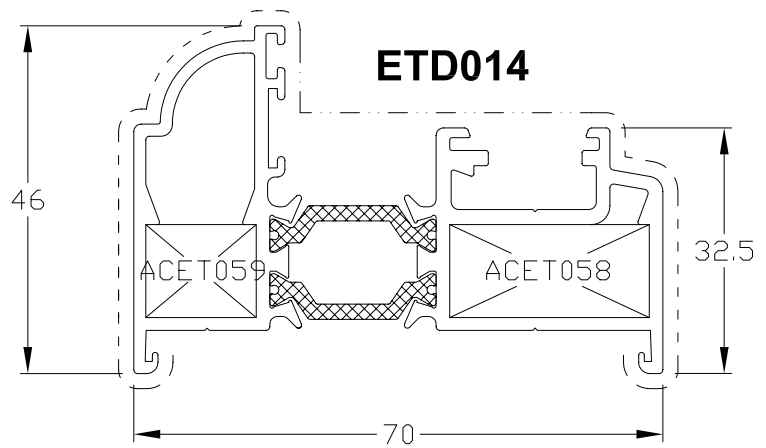
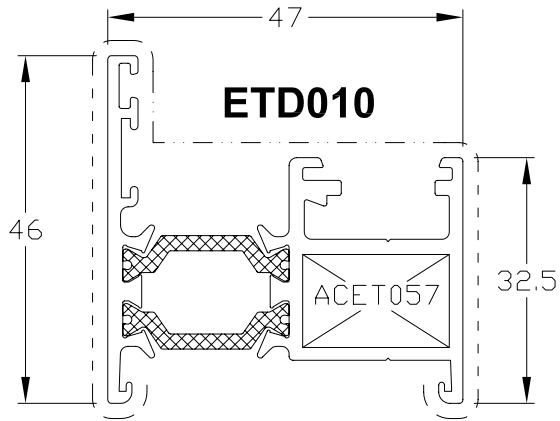
Primary Visible Side

Secondary Visible Side



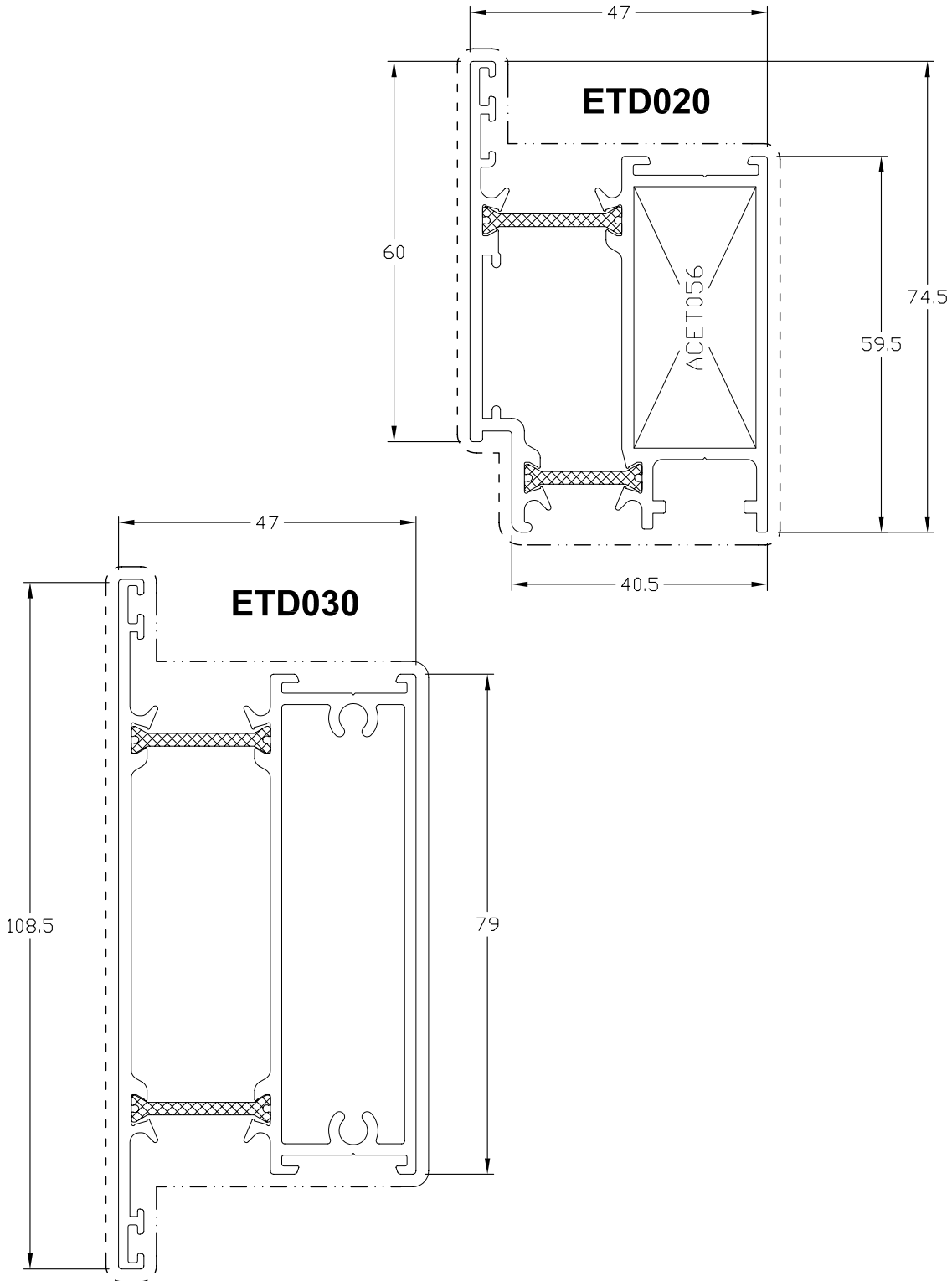
Primary Visible Side

Secondary Visible Side



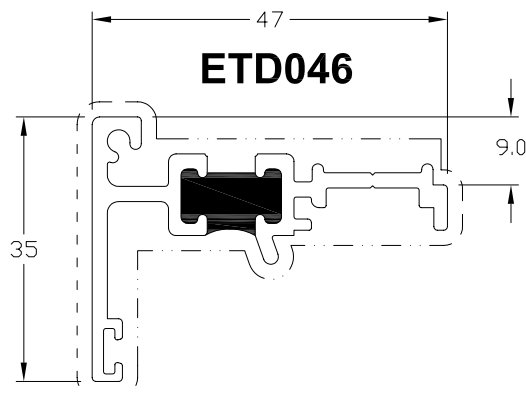
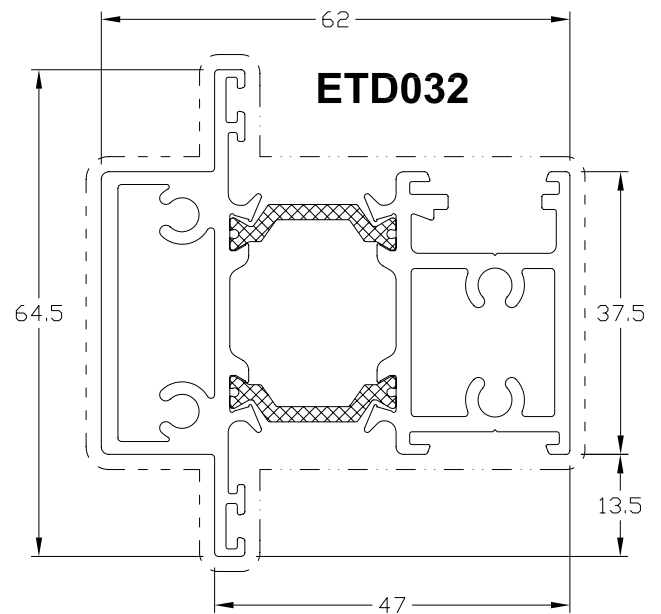
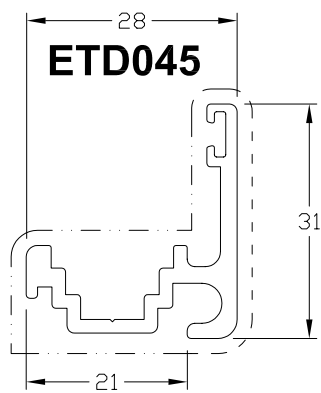
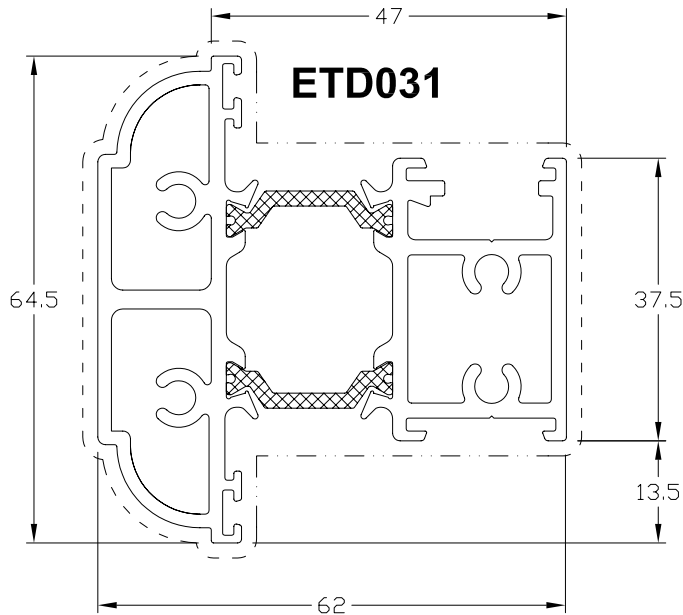
Primary Visible Side

Secondary Visible Side



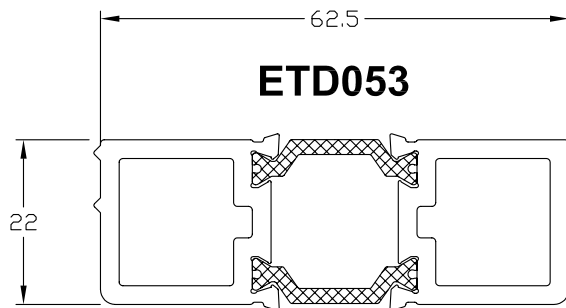
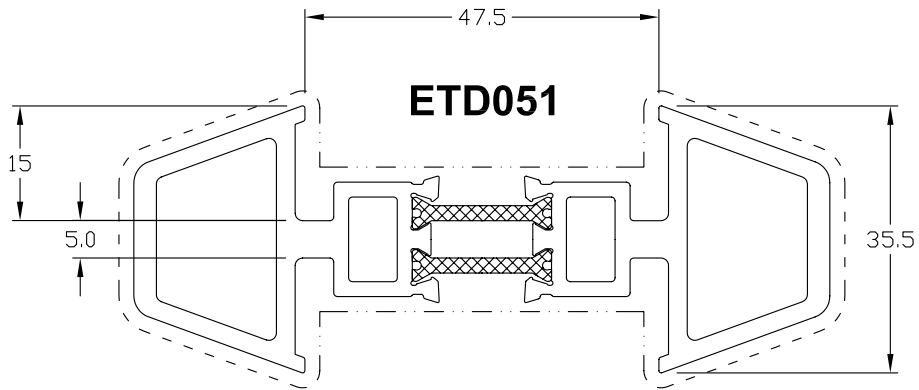
Primary Visible Side

Secondary Visible Side



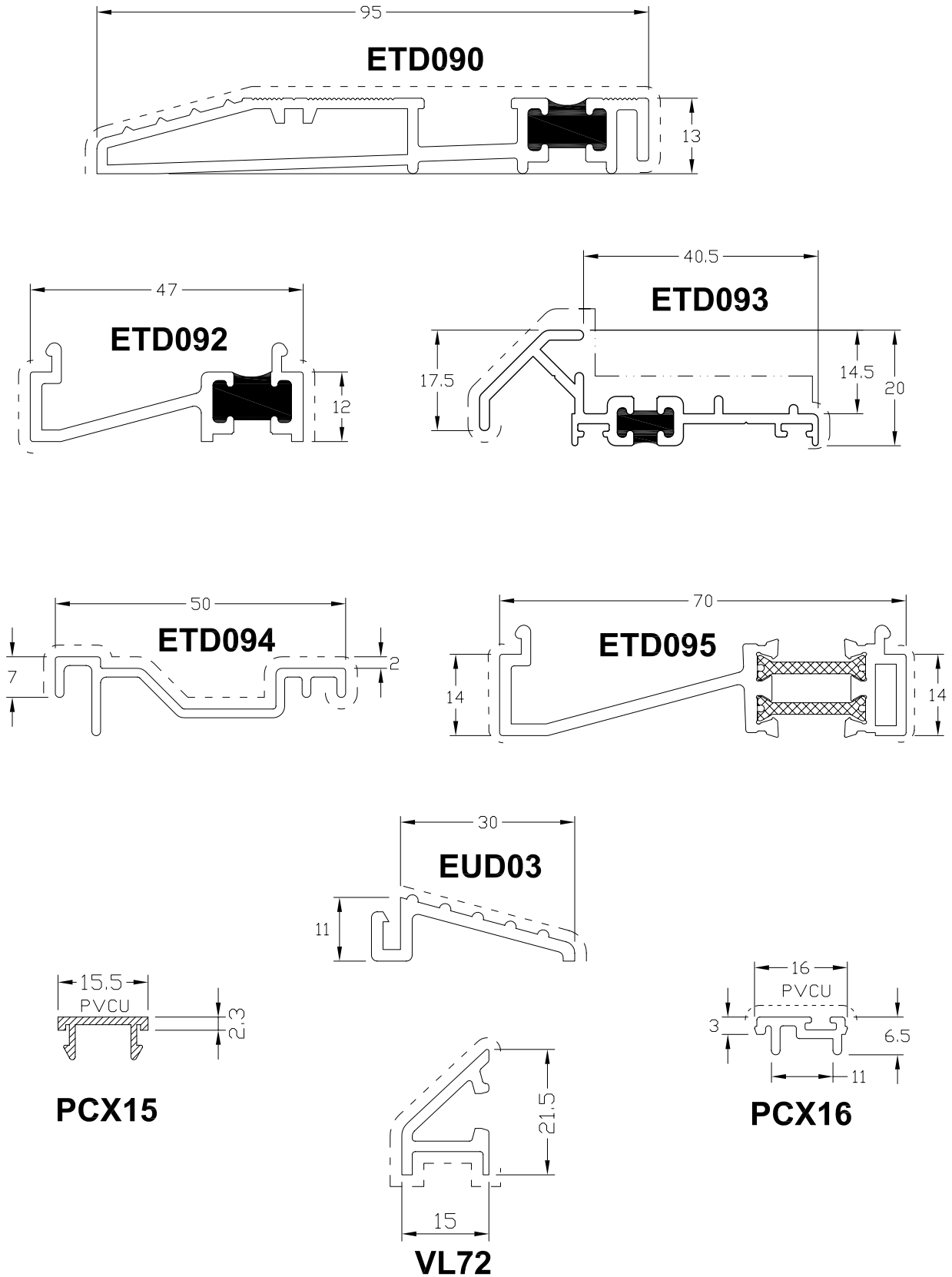
Primary Visible Side

Secondary Visible Side



Primary Visible Side

Secondary Visible Side





Primary Visible Side

Secondary Visible Side

This page left Blank Intentionally



Accessories

(Accessory Details)

Accessories

Image	Part Code	Pack	Unit	Application	Colour	
	ACET035 Seal	100	Each		MF	
					SA	
					KL	
					HP	
					M	
					GOZ	
					W	
					Z	X
	ACET045 Chevron	100	Each	ETD020 ETC046	MF	X
					SA	
					KL	
					HP	
					M	
					GOZ	
					W	
					Z	
	ACET053 End Cap	10	Each	ETD046	MF	
					SA	
					KL	
					HP	
					M	
					GOZ	
					W	X
					Z	X
	ACET054 Hinge Kit	3	Each	ETD020 Attached to ETD010 ETD014 ETD018 ETD031	MF	
					SA	X
					KL	
					HP	
					M	
					GOZ	X
					W	X
					Z	X
	ACET055 Chevron	24	Each	ETD020	MF	X
					SA	
					KL	
					HP	
					M	
					GOZ	
					W	
					Z	

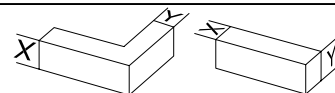


T-BARS
ACVG65=2,5mm
ACVG66=3,0mm
ACVL150=4,0mm

Screw (Grub)

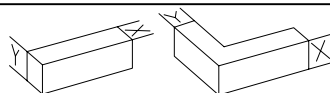
MF = Mill Finish
SA = Silver Anodised
KL = Basic Colour
HP = Special Colour
M = Dual Colour

GOZ = Gold
W = White
Z = Black



Accessories

Image	Part Code	Pack	Unit	Application	Colour	
<p>ACET056 Cleat</p> <p>X=41mm Y=19mm</p>		24	Pack	ETD020	MF	X
					SA	
					KL	
					HP	
					M	
					GOZ	
					W	
					Z	
<p>ACET057 Cleat</p> <p>X=12mm Y=19mm</p>		24	Pack	ETD010	MF	X
					SA	
					KL	
					HP	
					M	
					GOZ	
					W	
					Z	
<p>ACET058 Cleat</p> <p>X=12mm Y=26mm</p>		24	Pack	ETD014 ETD018	MF	X
					SA	
					KL	
					HP	
					M	
					GOZ	
					W	
					Z	
<p>ACET059 Cleat</p> <p>X=12mm Y=14mm</p>		24	Pack	ETD014 ETD018	MF	X
					SA	
					KL	
					HP	
					M	
					GOZ	
					W	
					Z	
<p>ACET060 7 X 1" CSK Stainless Steel Self Tapping Screw</p>		100	Pack	ETC046	MF	X
					SA	
					KL	
					HP	
					M	
					GOZ	
					W	
					Z	



MF = Mill Finish
SA = Silver Anodised
KL = Basic Colour
HP = Special Colour
M = Dual Colour

GOZ = Gold
W = White
Z = Black


Screw (Grub)



T-BARS
ACV665=2.5mm
ACV666=3.0mm
ACVL150=4.0mm



Accessories

Image	Part Code	Pack	Unit	Application	Colour	
	ACET065 No. 8 x 5/8 Pan Head Stainless Steel Self Tapping Screw	200	Pack	ETD014 Attached to ETD090	MF	
					SA	
					KL	
					HP	
					M	
					GOZ	
					W	
					Z	
	ACET071 End Cap	10	Pair	ETD090	MF	
					SA	
					KL	
					HP	
					M	
					GOZ	
					W	X
					Z	X
	ACET077 Cleat	24	Each	ETC046	MF	
					SA	
					KL	
					HP	
					M	
					GOZ	
					W	
					Z	
	ACET079 Pan head screw No. 10 x 2 1/2"	100	Pack	ETD014 Attached to ETD031	MF	
					SA	
					KL	
					HP	
					M	
					GOZ	
					W	
					Z	
Continue on Next Page					MF	
					SA	
					KL	
					HP	
					M	
					GOZ	
					W	
					Z	



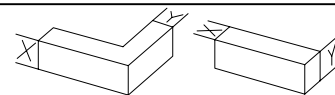
T-BARS
 ACVG65=2.5mm
 ACVG66=3.0mm
 ACVL150=4.0mm



Screw (Grub)

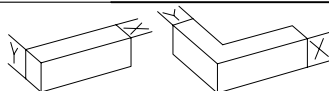
MF = Mill Finish
 SA = Silver Anodised
 KL = Basic Colour
 HP = Special Colour
 M = Dual Colour

GOZ = Gold
 W = White
 Z = Black



Accessories

Image	Part Code	Pack	Unit	Application	Colour	
<p>35mm Backset</p>	<p>ACET085 Single Door Lock Kit Single Open- In Left Hand Hung Single Open-Out Right Hand Hung</p> <p>PLK18 Lock PLK375 Right Hand Keep Set</p>	1	Each	ETD010 ETD014 ETD018 ETD020 ETD031 ETD032	MF	X
	<p>ACET086 Single Door Lock Kit Single Open-In Right Hand Hung Single Open-Out Left hand Hung</p> <p>PLK18 Lock PLK374 Left Hand Keep Set</p>	1	Each	ETD010 ETD014 ETD018 ETD020 ETD031 ETD032	MF	X
	<p>ACET087 - Short Lock Single Door Short Lock Kit Single Open-In Left hand Hung Single Open-Out Right Hand Hung</p> <p>PL61 Lock PLK375 Right Hand Keep Set</p>	1	Each	ETD010 ETD014 ETD018 ETD020 ETD031 ETD032	MF	X
	<p>ACET088 - Short Lock Single Door Short Lock Kit Single Open-In Right hand Hung Single Open-Out Left Hand Hung</p> <p>PL61 Lock PLK374 Left Hand Keep Set</p>	1	Each	ETD010 ETD014 ETD018 ETD020 ETD031 ETD032	MF	X
	<p>ACET093 Reverse Profile Packers</p>	100	Each	ETC010	MF	



MF = Mill Finish
 SA = Silver Anodised
 KL = Basic Colour
 HP = Special Colour
 M = Dual Colour

GOZ = Gold
 W = White
 Z = Black

Screw (Grub)



T-BARS
 ACVG665=2,5mm
 ACVG666=3,0mm
 ACYL150=4,0mm



Accessories

Image	Part Code	Pack	Unit	Application	Colour	
	ACET096 Low Threshold Fixing Bracket	1	Pairs	ETD014 ETD018 ETD090	MF	X
					SA	
					KL	
					HP	
					M	
					GOZ	
					W	
					Z	
	ACET098 End Caps	20	Each	ETC157 ETC158 ETD014 ETD031 ETD094	MF	
					SA	
					KL	
					HP	
					M	
					GOZ	
					W	X
					Z	
	ACET104 Packers	50	Each	ETD010 ETD014 ETD031	MF	
					SA	
					KL	
					HP	
					M	
					GOZ	
					W	
					Z	X
	ACET120 Flush Bolt Kit Outer Frame (4 Sided)	1	Each	ETD020 ETD046	MF	X
					SA	
					KL	
					HP	
					M	
					GOZ	
					W	
					Z	
	ACET121 Flush Bolt Kit Outer Frame (Low Threshold)	1	Each	ETD020 ETD046	MF	X
					SA	
					KL	
					HP	
					M	
					GOZ	
					W	
					Z	



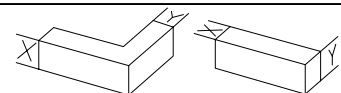
T-BARS
 ACVG65=2.5mm
 ACVG66=3.0mm
 ACVL150=4.0mm



Screw (Grub)

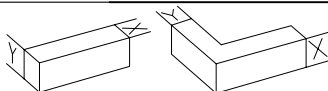
MF = Mill Finish
 SA = Silver Anodised
 KL = Basic Colour
 HP = Special Colour
 M = Dual Colour

GOZ = Gold
 W = White
 Z = Black



Accessories

Image	Part Code	Pack	Unit	Application	Colour
	ACET133 Countersunk Head Screw M5 x 50	1	Each	ACVL117	MF
					SA
					KL
					HP
					M
GOZ					
W					
Z					
<p>45mm Backset</p>	ACET140 Double Door Lock Kit Double Open Out Right Hand Hung Master Double Open In Left Hand Hung Master PL18/45 PLK375 Right Hand Keep Set	1	Each	ETD010 ETD014 ETD018 ETD020 ETD031 ETD032	MF
					SA
					KL
					HP
	M				
	GOZ				
	W				
	Z				
	ACET141 Double Door Lock Kit Double Open Out Left Hand Hung Master Double Open In Right Hand Hung Master PL18/45 PLK374 Left Hand Keep Set	1	Each	ETD010 ETD014 ETD018 ETD020 ETD031 ETD032	MF
					SA
					KL
					HP
	M				
	GOZ				
	W				
	Z				
ACET142 - Short Lock Double Door Short Lock Kit Double Open Out Right Hand Hung Master Double Open In Left Hand Hung Master PL18/45 Elite PLK375 Right Hand Keep Set	1	Each	ETD010 ETD014 ETD018 ETD020 ETD031 ETD032	MF	
				SA	
				KL	
				HP	
M					
GOZ					
W					
Z					
ACET143 - Short Lock Double Door Short Lock Kit Double Open Out Left Hand Hung Master Double Open In Right Hand Hung Master PL18/45 Elite PLK374 Left Hand Keep Set	1	Each	ETD010 ETD014 ETD018 ETD020 ETD031 ETD032	MF	
				SA	
				KL	
				HP	
M					
GOZ					
W					
Z					



MF = Mill Finish
 SA = Silver Anodised
 KL = Basic Colour
 HP = Special Colour
 M = Dual Colour

GOZ = Gold
 W = White
 Z = Black






Screw (Grub)



T-BARS
 ACVG65=2.5mm
 ACVG66=3.0mm
 ACVL150=4.0mm



Accessories

Image	Part Code	Pack	Unit	Application	Colour
	ACET149 Slimline Restrictor	1	Each	ETD010 ETD014 ETD018 ETD020	MF <input checked="" type="checkbox"/> SA <input type="checkbox"/> KL <input type="checkbox"/> HP <input type="checkbox"/> M <input type="checkbox"/> GOZ <input type="checkbox"/> W <input type="checkbox"/> Z <input type="checkbox"/>
	ACSH471 Letter Plate Set	1	Each	ETD046	MF <input checked="" type="checkbox"/> SA <input checked="" type="checkbox"/> KL <input type="checkbox"/> HP <input type="checkbox"/> M <input type="checkbox"/> GOZ <input checked="" type="checkbox"/> W <input checked="" type="checkbox"/> Z <input checked="" type="checkbox"/>
	ACMX09700 Alu Polish	1	Each	All Aluminium	MF <input type="checkbox"/> SA <input type="checkbox"/> KL <input type="checkbox"/> HP <input type="checkbox"/> M <input type="checkbox"/> GOZ <input type="checkbox"/> W <input type="checkbox"/> Z <input type="checkbox"/>
	ACMX09761 Maxi-Gloss	1	Each	Gloss Finish Aluminium	MF <input type="checkbox"/> SA <input type="checkbox"/> KL <input type="checkbox"/> HP <input type="checkbox"/> M <input type="checkbox"/> GOZ <input type="checkbox"/> W <input type="checkbox"/> Z <input type="checkbox"/>
	ACMX09762 Alu Bright	1	Each		MF <input type="checkbox"/> SA <input type="checkbox"/> KL <input type="checkbox"/> HP <input type="checkbox"/> M <input type="checkbox"/> GOZ <input type="checkbox"/> W <input type="checkbox"/> Z <input type="checkbox"/>



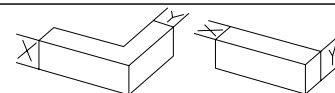
T-BARS
ACVG65=2,5mm
ACVG66=3,0mm
ACVL150=4,0mm



Screw (Grub)

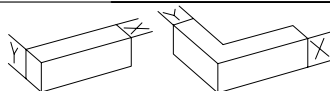
MF = Mill Finish
SA = Silver Anodised
KL = Basic Colour
HP = Special Colour
M = Dual Colour

GOZ = Gold
W = White
Z = Black



Accessories

Image	Part Code	Pack	Unit	Application	Colour
	ACMX09763 Teflon Spray	1	Each		MF
					SA
					KL
					HP
					M
					GOZ
					W
					Z
	ACMX09764 Maxi-Clean	1	Each		MF
					SA
					KL
					HP
					M
					GOZ
					W
					Z
	ACMX09765 Alu Cleaner	1	Each		MF
					SA
					KL
					HP
					M
					GOZ
					W
					Z
	ACMX09770 Roll & Wrap 100mm	1	Each		MF
					SA
					KL
					HP
					M
					GOZ
					W
					Z
	ACMX09775 Grip Handywrap	1	Each		MF
					SA
					KL
					HP
					M
					GOZ
					W
					Z



MF = Mill Finish
 SA = Silver Anodised
 KL = Basic Colour
 HP = Special Colour
 M = Dual Colour

GOZ = Gold
 W = White
 Z = Black

Screw (Grub)



T-BARS
 ACVG65=2.5mm
 ACVG66=3.0mm
 ACVL150=4.0mm



Accessories

Image	Part Code	Pack	Unit	Application	Colour	
	ACMX09801 Protective Tape 50mm	1	Each		MF	
					SA	
					KL	
					HP	
					M	
					GOZ	
					W	
					Z	
	ACMX09802 Protective Tape 70mm	1	Each		MF	
					SA	
					KL	
					HP	
					M	
					GOZ	
					W	
					Z	
	ACMX09803 Protective Tape 100mm	1	Each		MF	
					SA	
					KL	
					HP	
					M	
					GOZ	
					W	
					Z	
	ACMX09830 Gum for EPDM-Rubber	1	Each		MF	
					SA	
					KL	
					HP	
					M	
					GOZ	
					W	
					Z	
	ACSIL04 GW/Z Sealing Glue	1	Each		MF	
					SA	
					KL	
					HP	
					M	
					GOZ	
					W	X
					Z	X



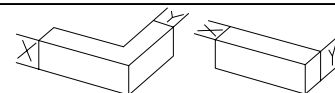
T-BARS
ACVG65=2.5mm
ACVG66=3.0mm
ACVL150=4.0mm



Screw (Grub)

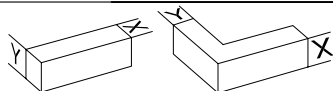
MF = Mill Finish
SA = Silver Anodised
KL = Basic Colour
HP = Special Colour
M = Dual Colour

GOZ = Gold
W = White
Z = Black



Accessories

Image	Part Code	Pack	Unit	Application	Colour
	ACSIL08 Silicone Gun	1	Each		MF
					SA
					KL
					HP
					M
					GOZ
					W
					Z
	ACSIL013 Glue for Mitre	1	Each		MF
					SA
					KL
					HP
					M
					GOZ
					W
					Z
	ACSIL014 Anti-Corro / Protection Product	1	Each		MF
					SA
					KL
					HP
					M
					GOZ
					W
					Z
	ACSH038N Brush Pile	200	Each	ETD093	MF
					SA
					KL
					HP
					M
					GOZ
					W
					Z
	ACSH039 Brush Pile	450	Each	ETD091	MF
					SA
					KL
					HP
					M
					GOZ
					W
					Z



MF = Mill Finish
 SA = Silver Anodised
 KL = Basic Colour
 HP = Special Colour
 M = Dual Colour

GOZ = Gold
 W = White
 Z = Black

Screw (Grub)



T-BARS
 ACV665=2.5mm
 ACV666=3.0mm
 ACVL150=4.0mm



Accessories

Image	Part Code	Pack	Unit	Application	Colour	
	ACVG31 Seal	200	Each	ETC019 ETD010 ETD014 ETD020 ETD030 ETD031	MF	
					SA	
					KL	
					HP	
					M	
					GOZ	
					W	
					Z	X
	ACVG34 Seal	100	Each	ETC161 ETC164	MF	
					SA	
					KL	
					HP	
					M	
					GOZ	
					W	
					Z	X
	ACVL032 Seal	100	Each	ETD010 ETD014 ETD031 ETD045 ETD046	MF	
					SA	
					KL	
					HP	
					M	
					GOZ	
					W	
					Z	X
	ACVL059 End Cap	1	Pair	VL72	MF	
					SA	
					KL	
					HP	
					M	
					GOZ	
					W	X
					Z	
	ACVL061 Rivet	100	Pack	VL72	MF	X
					SA	
					KL	
					HP	
					M	
					GOZ	
					W	
					Z	

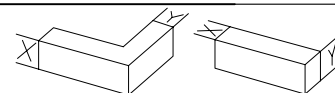


T-BARS
ACVG65=2.5mm
ACVG66=3.0mm
ACVL150=4.0mm

Screw (Grub)

MF = Mill Finish
SA = Silver Anodised
KL = Basic Colour
HP = Special Colour
M = Dual Colour

GOZ = Gold
W = White
Z = Black



Accessories

Image	Part Code	Pack	Unit	Application	Colour	
	ACVL117 Euro Cylinder 30/50 Use ACET133 Fixing Screws	1	Each	ETD020	MF	X
					SA	
					KL	
					HP	
					M	
					GOZ	
					W	
					Z	
	PUA056ssz Pan Head Screw No. 10 * 2	100	Each	ETD030 Attached to ETD010 ETD020	MF	X
					SA	
					KL	
					HP	
					M	
					GOZ	
					W	
					Z	
	RCA054ssz Counter Sunk Head Self Tapping No. 8 * 3/4 Screw	100	Each	ETD046	MF	X
					SA	
					KL	
					HP	
					M	
					GOZ	
					W	
					Z	
	RUA090 Lever / Lever handle with Keyhole (1 Spindle) Internally & Externally Locking	1	Each	ETD020	MF	
					SA	X
					KL	
					HP	
					M	
					GOZ	X
					W	X
					Z	X
	RUA091 Lever / Pad Handle with Keyhole (2 Spindles) Locks Internal Side Only	1	Each	ETD020	MF	
					SA	X
					KL	
					HP	
					M	
					GOZ	X
					W	X
					Z	X

Release Date: February 2008

MF = Mill Finish
 SA = Silver Anodised
 KL = Basic Colour
 HP = Special Colour
 M = Dual Colour
 GOZ = Gold
 W = White
 Z = Black

Screw (Grub)

T-BARS
 ACVG65=2.5mm
 ACVG66=3.0mm
 ACVL150=4.0mm

Page 25

Accessories

Image	Part Code	Pack	Unit	Application	Colour
	RUA092 Lever / Lever Handle without Keyhole	1	Each	ETD020	MF
					SA
					KL
					HP
					M
					GOZ
					W
					Z
	UUA412 Drainage Cowl	20	Each		MF
					SA
					KL
					HP
					M
					GOZ
					W
					Z
	WCA106ssz Chevron	50	Each	ETD010 ETD014	MF
					SA
					KL
					HP
					M
					GOZ
					W
					Z
					MF
					SA
					KL
					HP
					M
					GOZ
					W
					Z
					MF
					SA
					KL
					HP
					M
					GOZ
					W
					Z



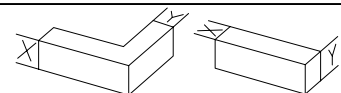
T-BARS
ACVG65=2.5mm
ACVG66=3.0mm
ACVL150=4.0mm



Screw (Grub)

MF = Mill Finish
SA = Silver Anodised
KL = Basic Colour
HP = Special Colour
M = Dual Colour

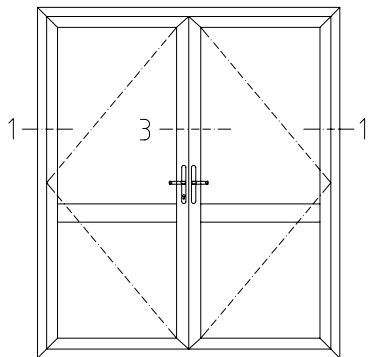
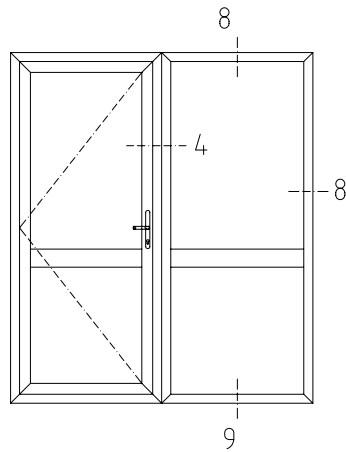
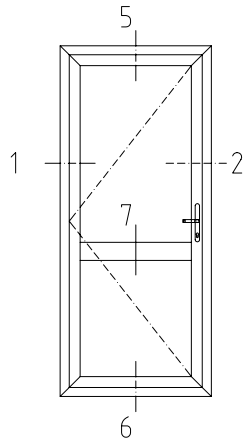
GOZ = Gold
W = White
Z = Black

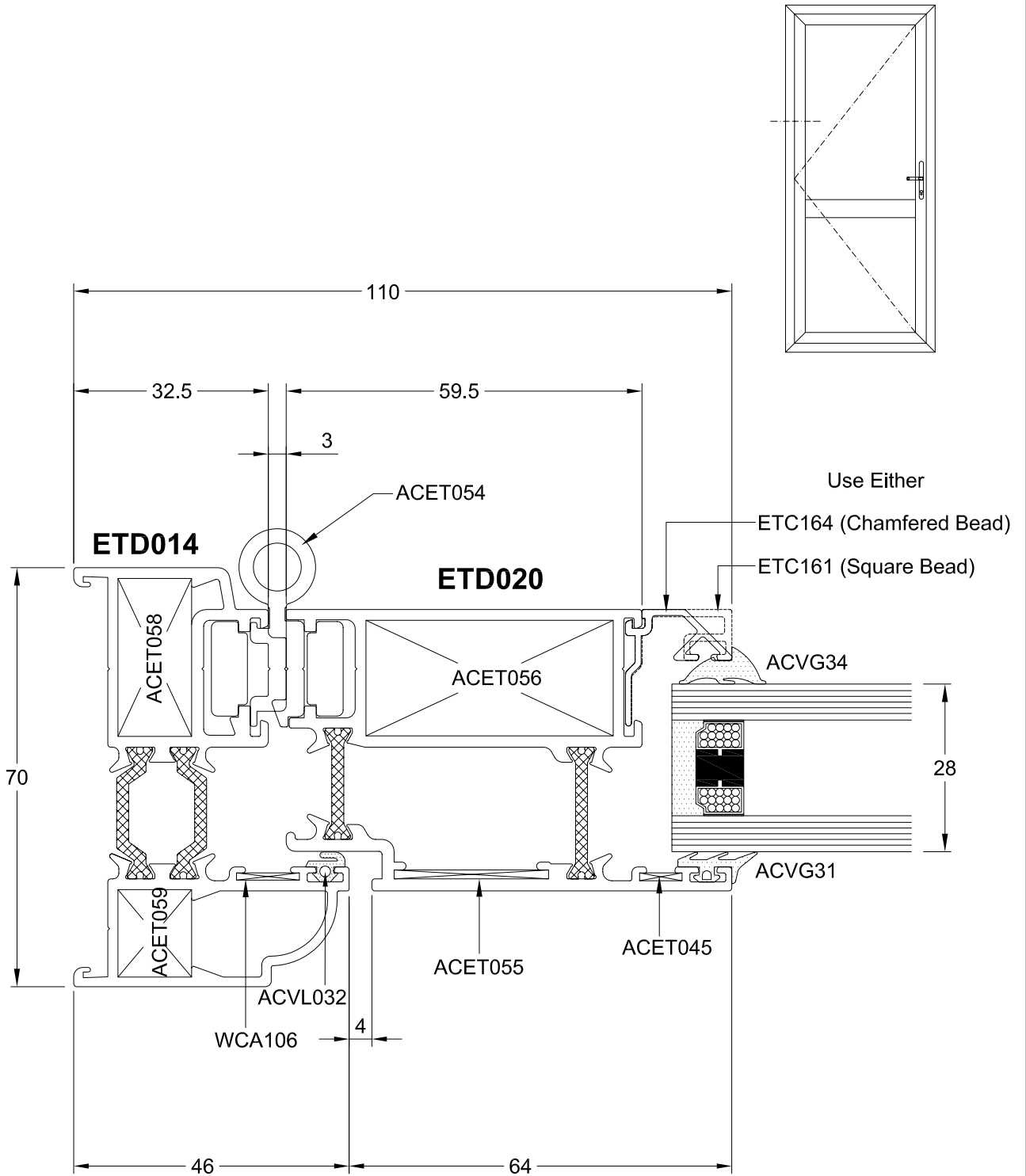




Sections

Doors - Open In

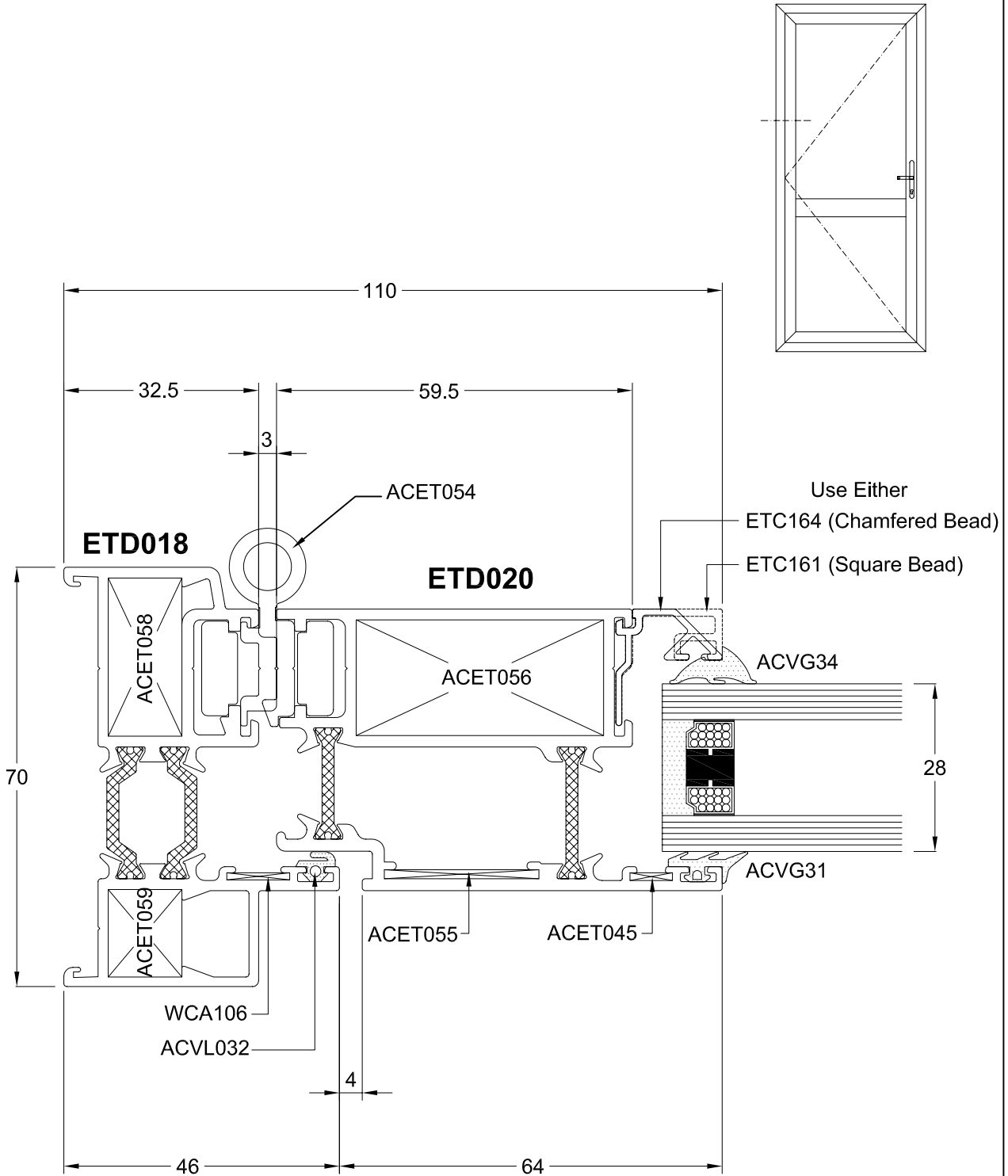


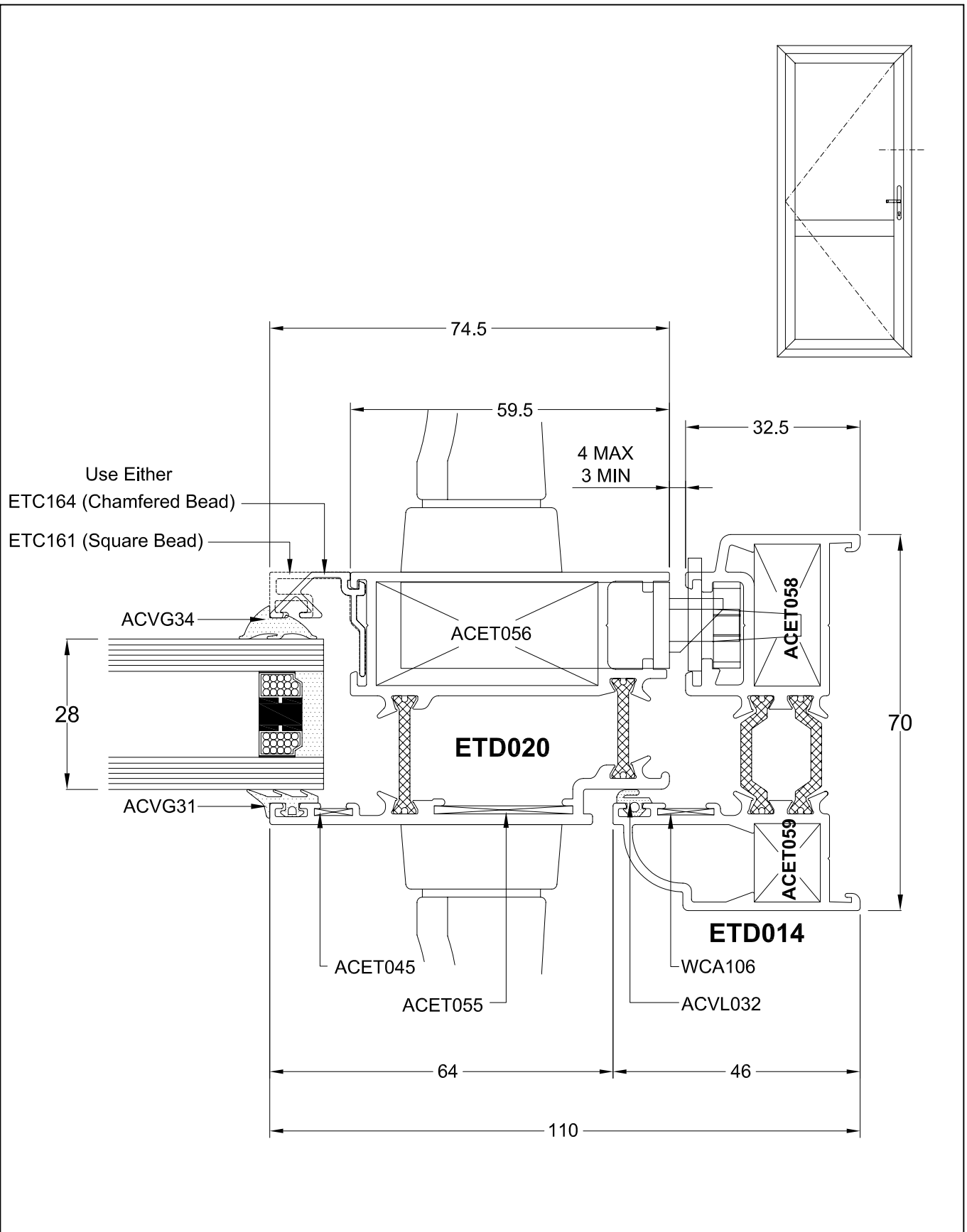


1b

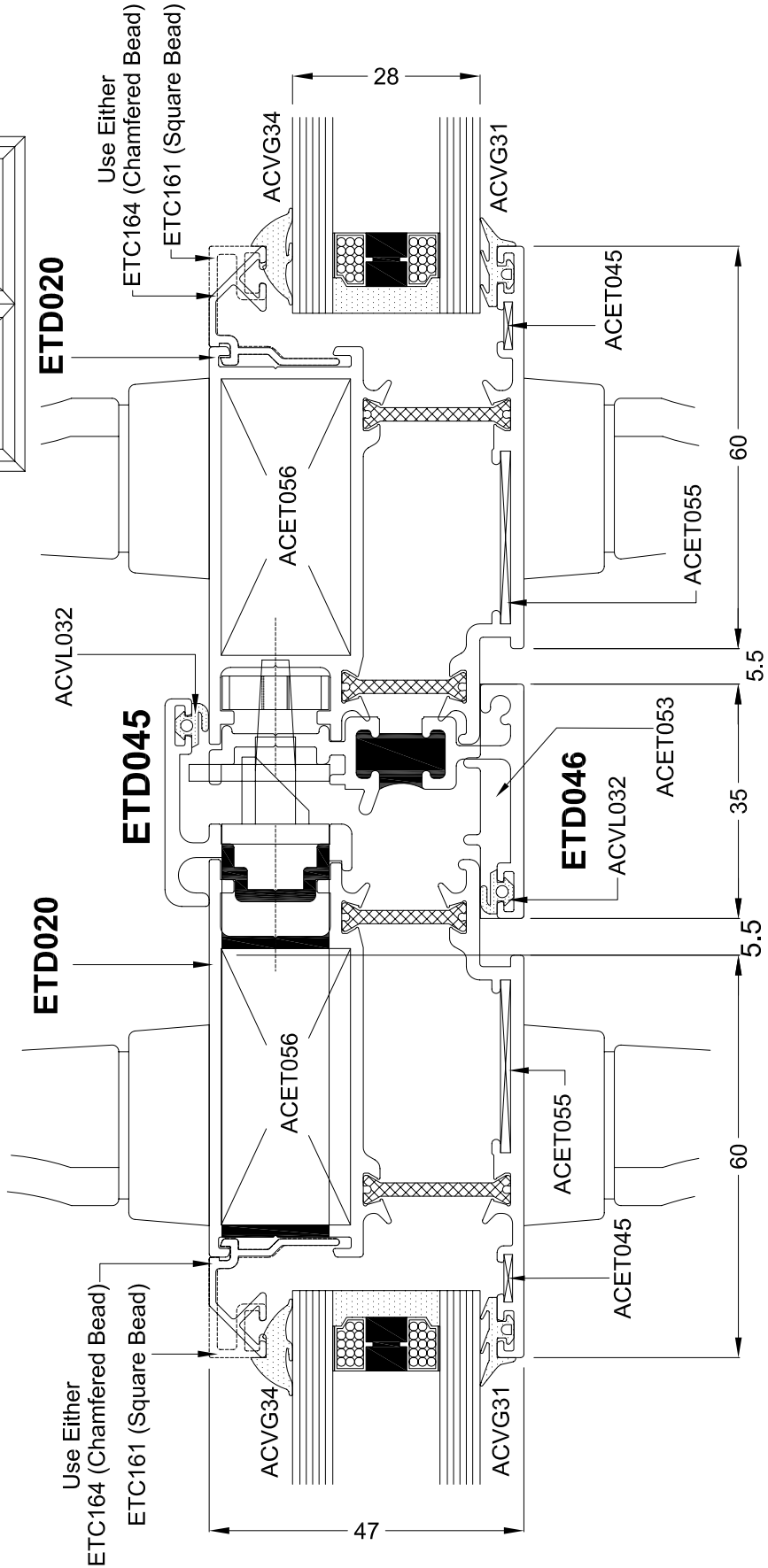
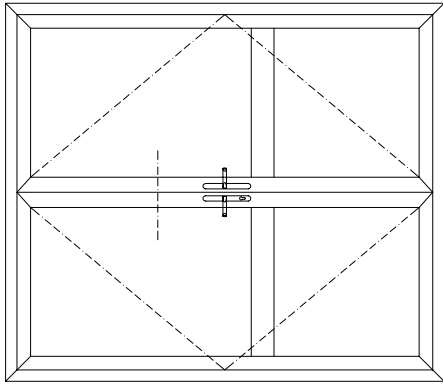
Doors - Open In

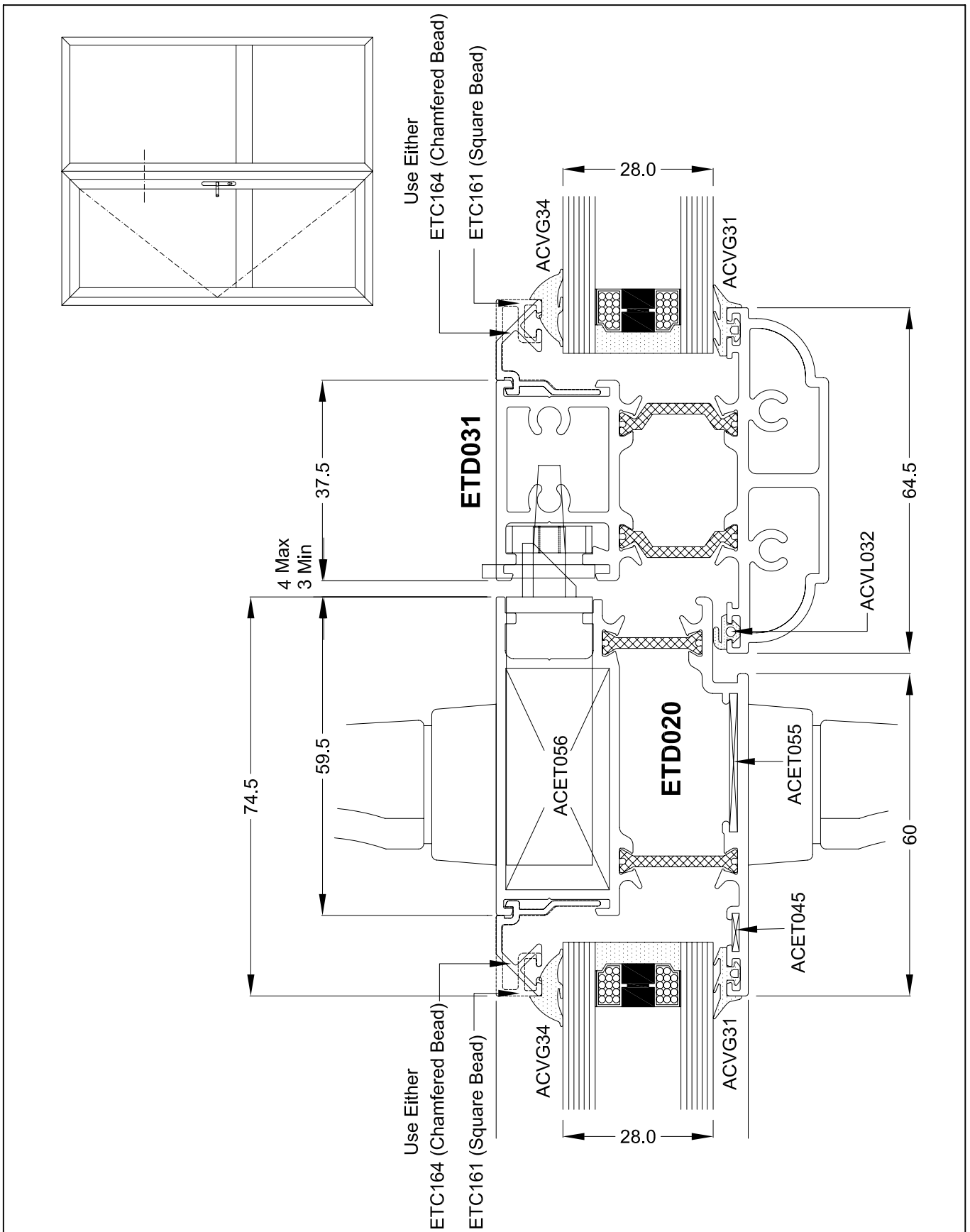
Scale 1:1





3a Doors - Open In Scale 1:1

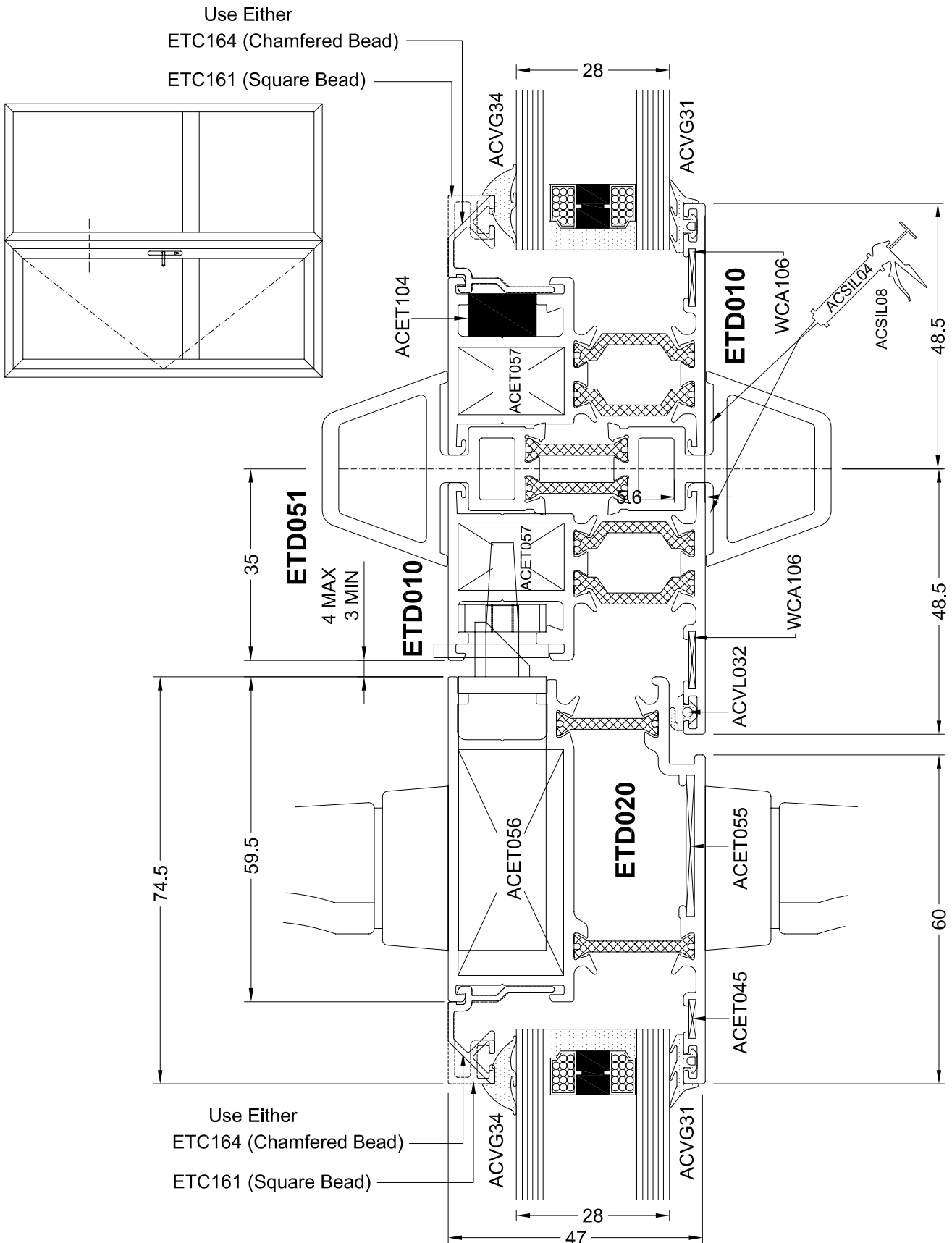


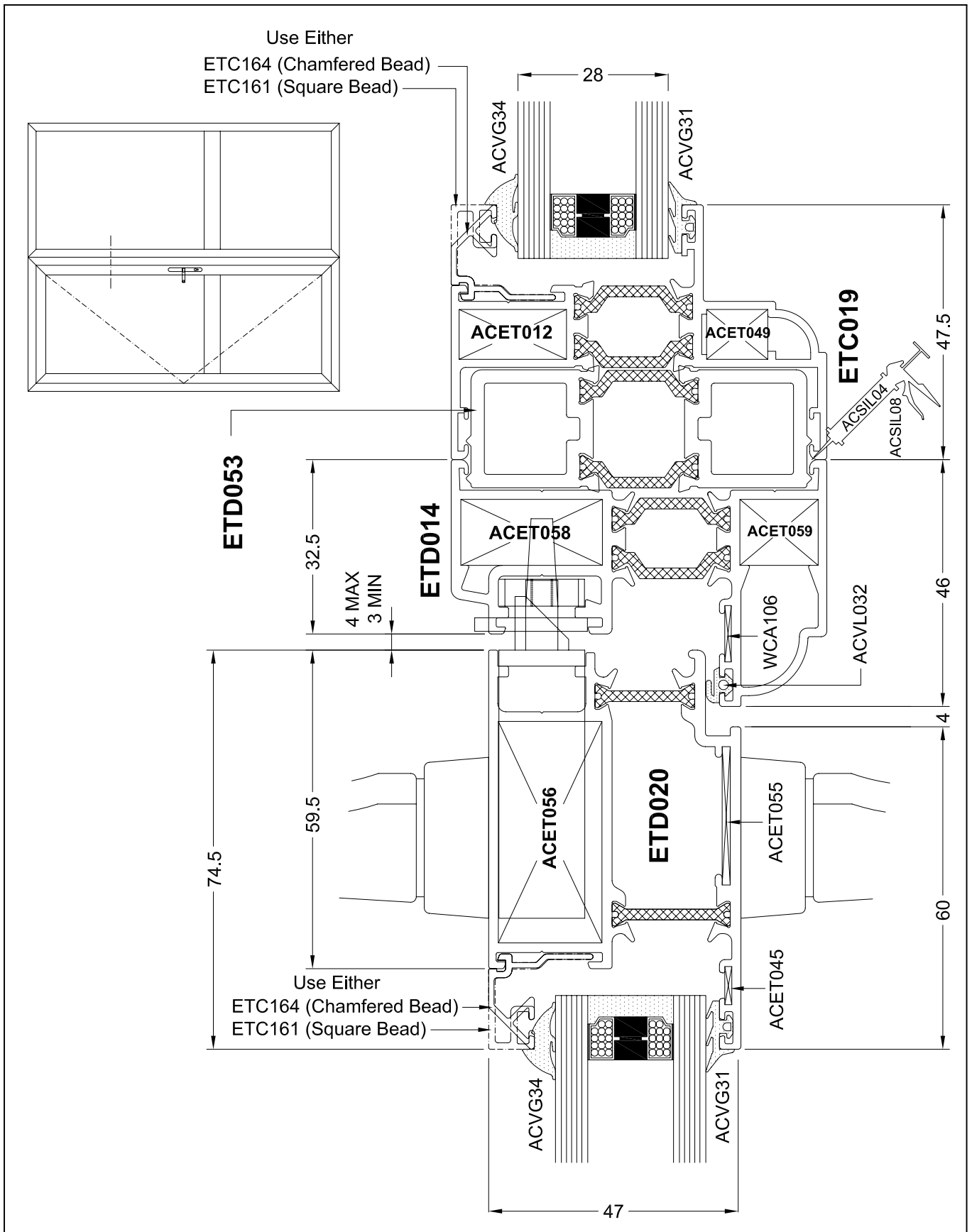


4b

Doors - Open In

Scale 1:1

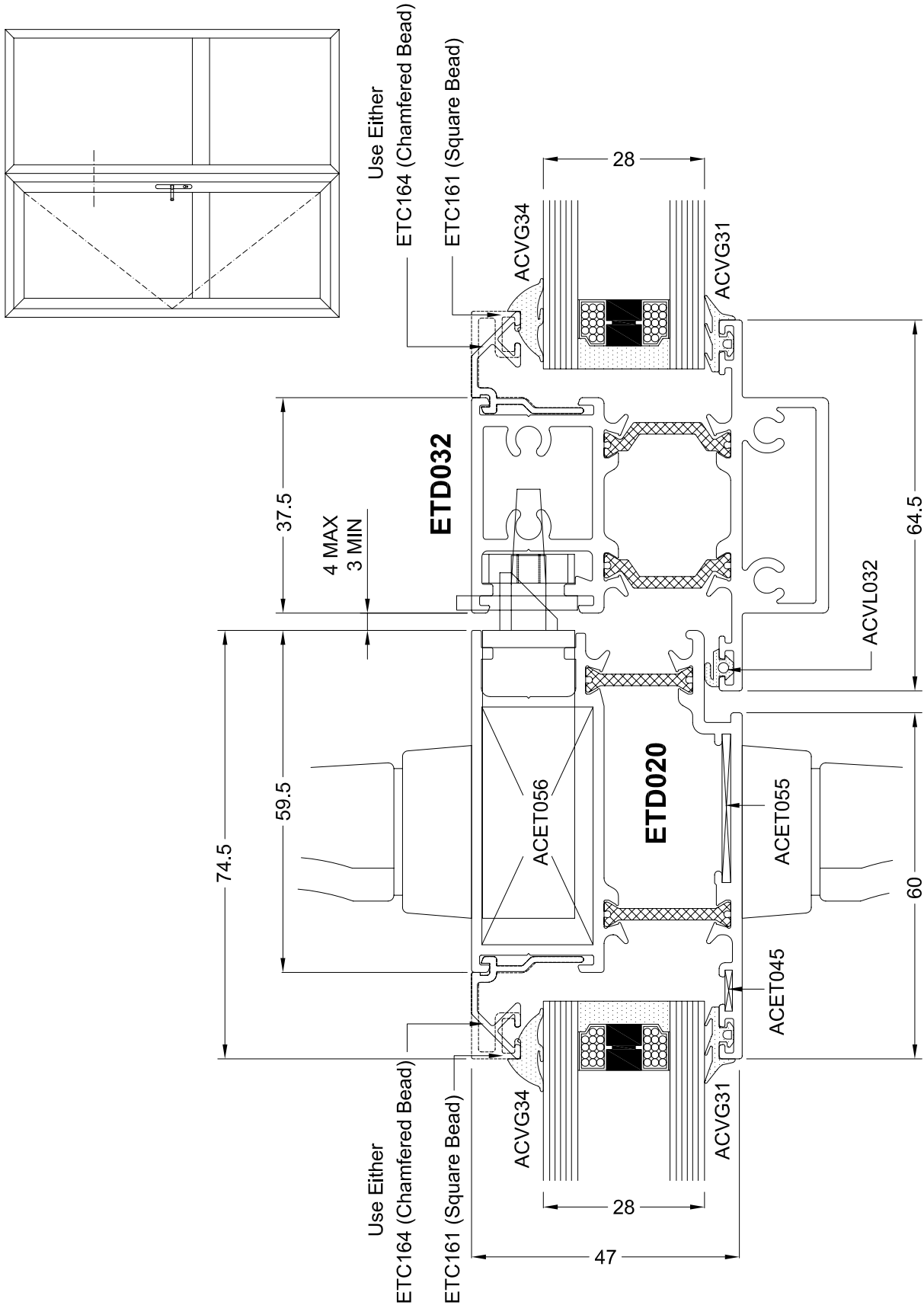


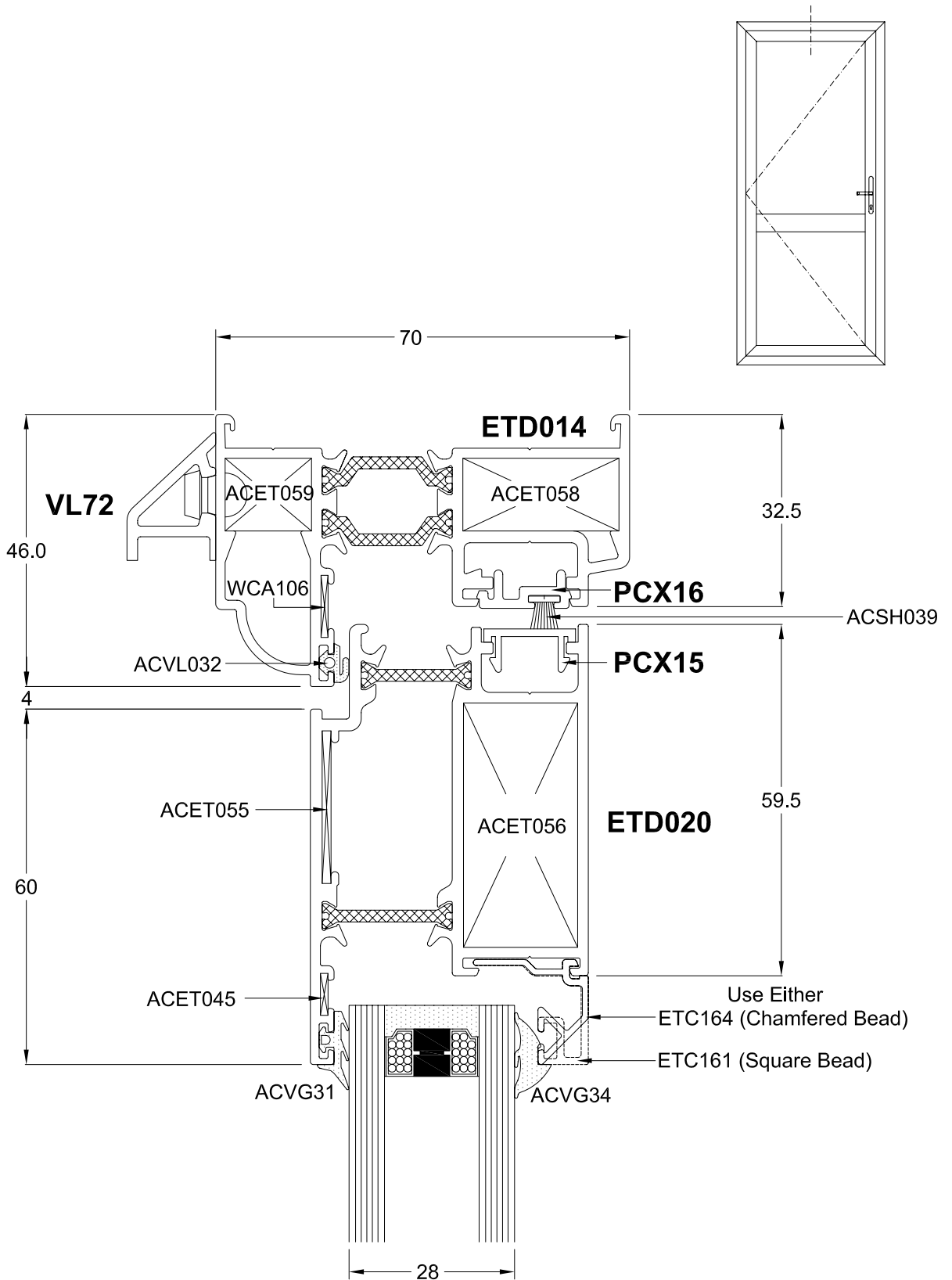


4d

Doors - Open In

Scale 1:1

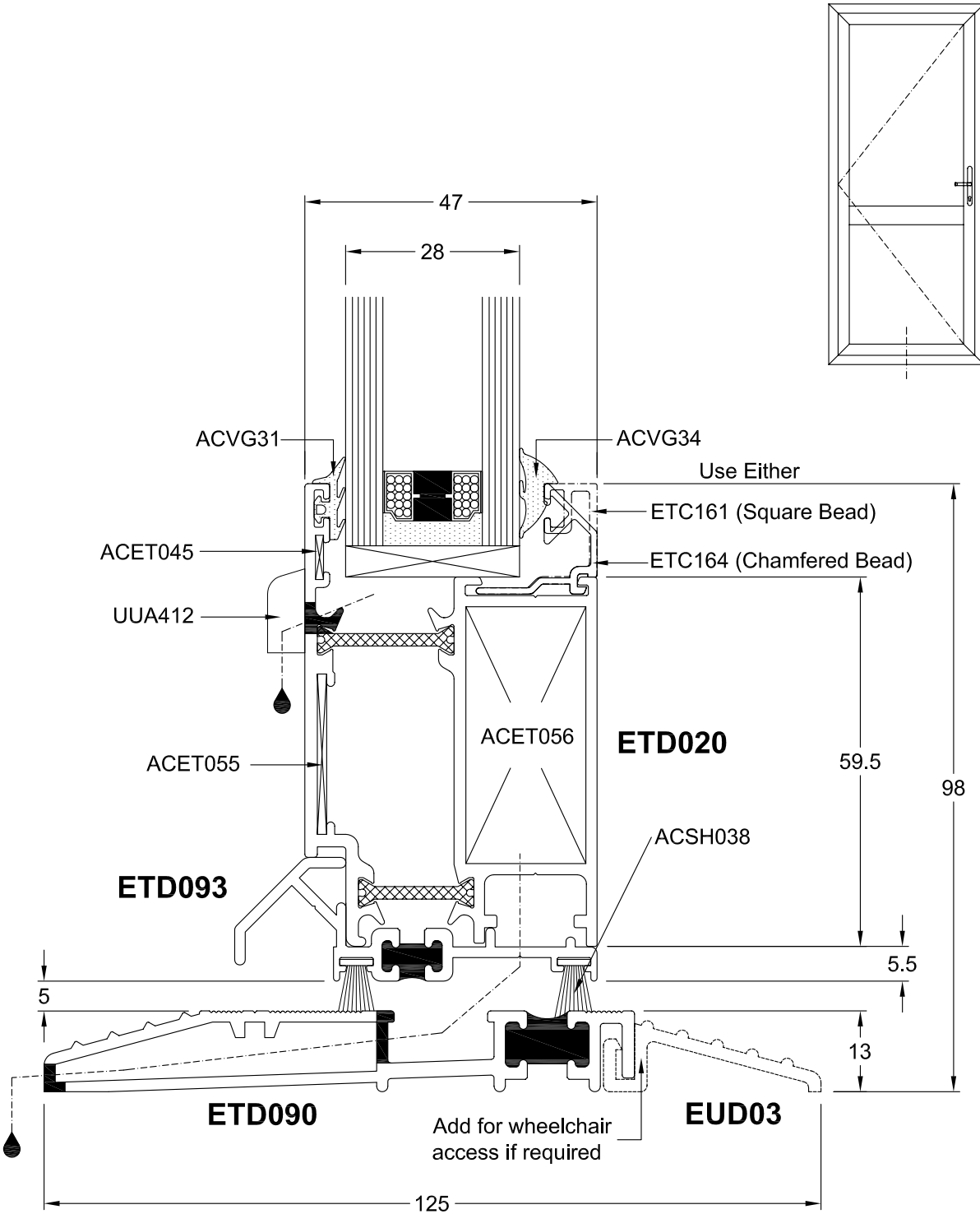


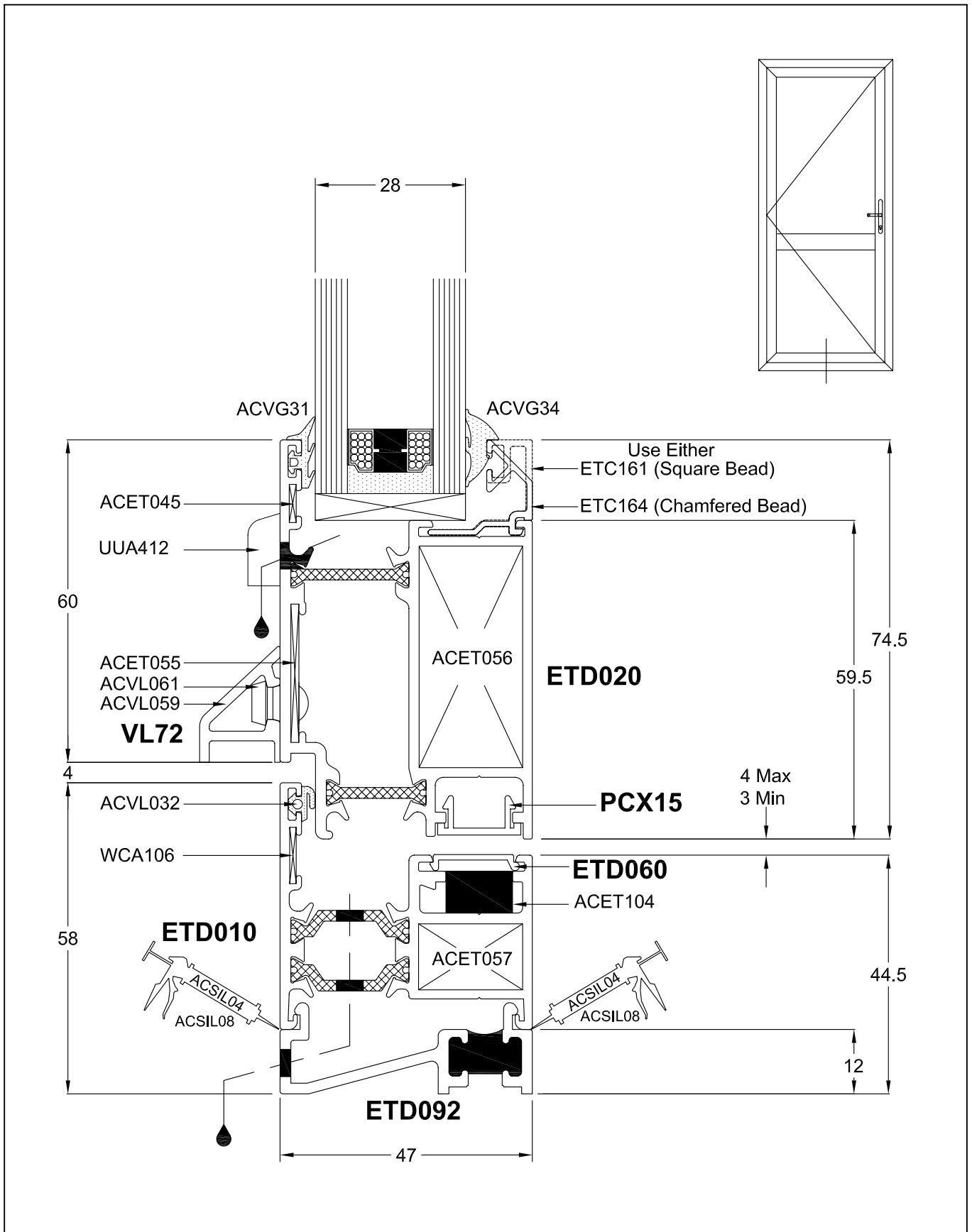


6a

Doors - Open In

Scale 1:1

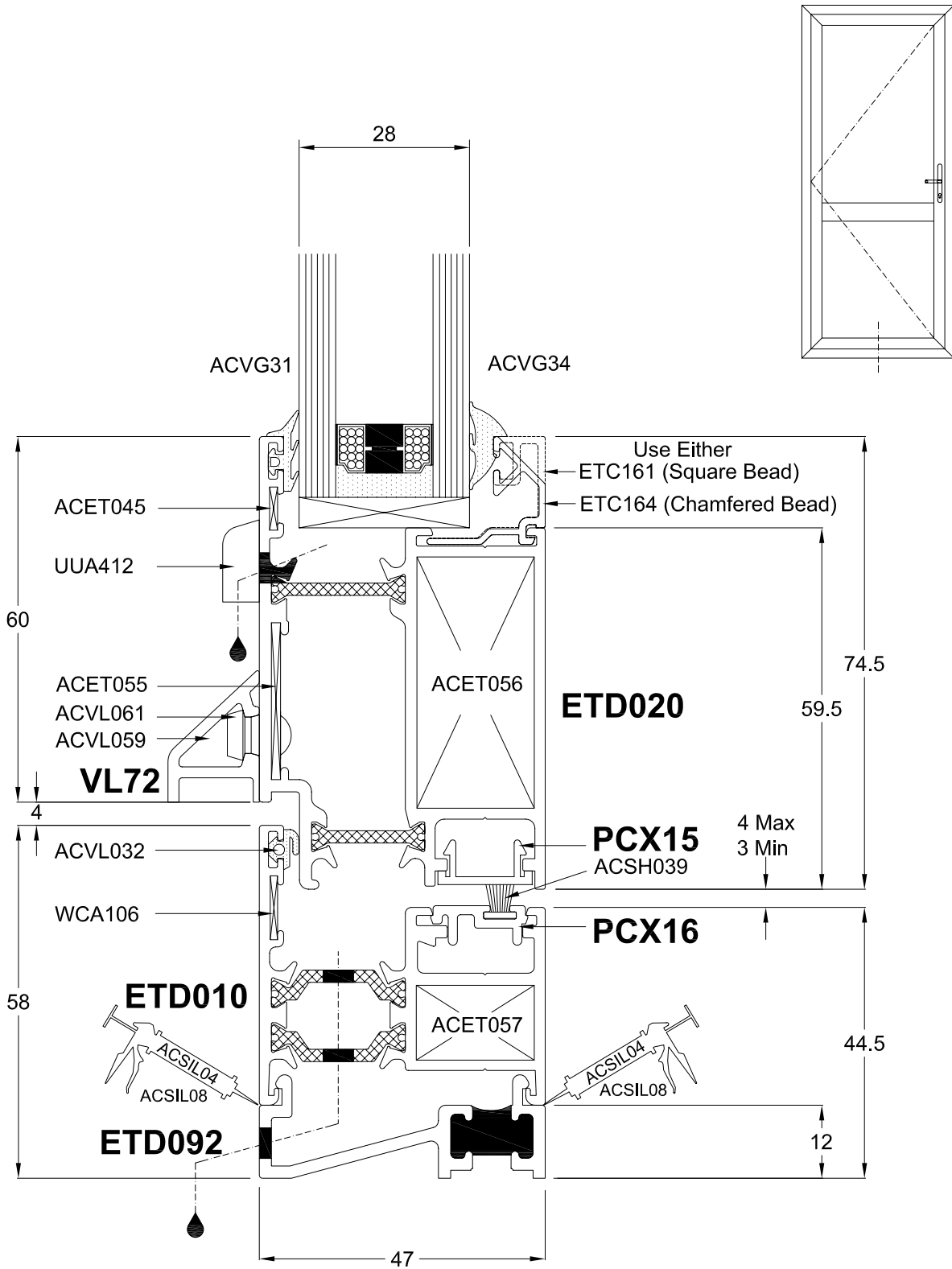


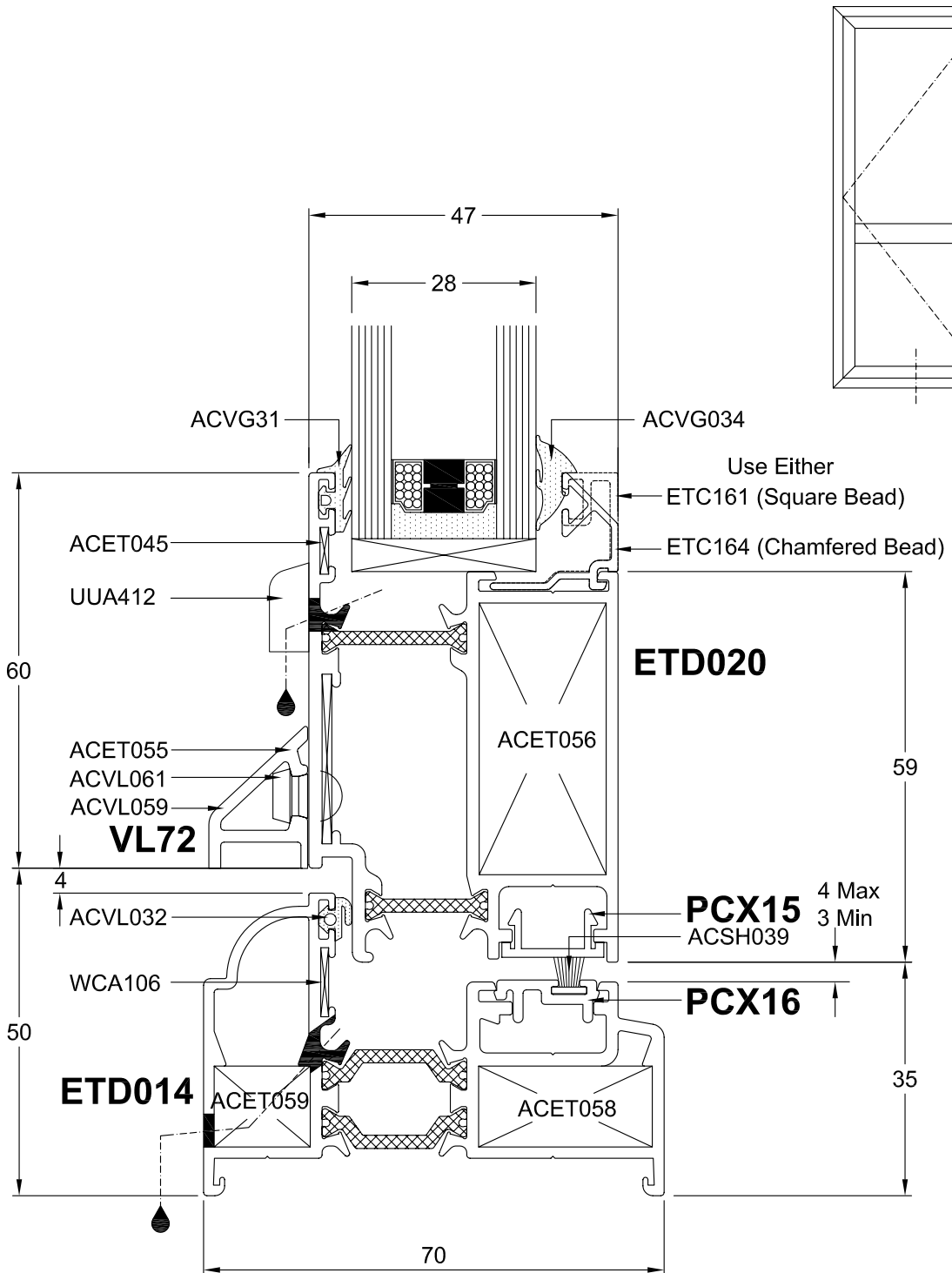


6c

Doors - Open In

Scale 1:1

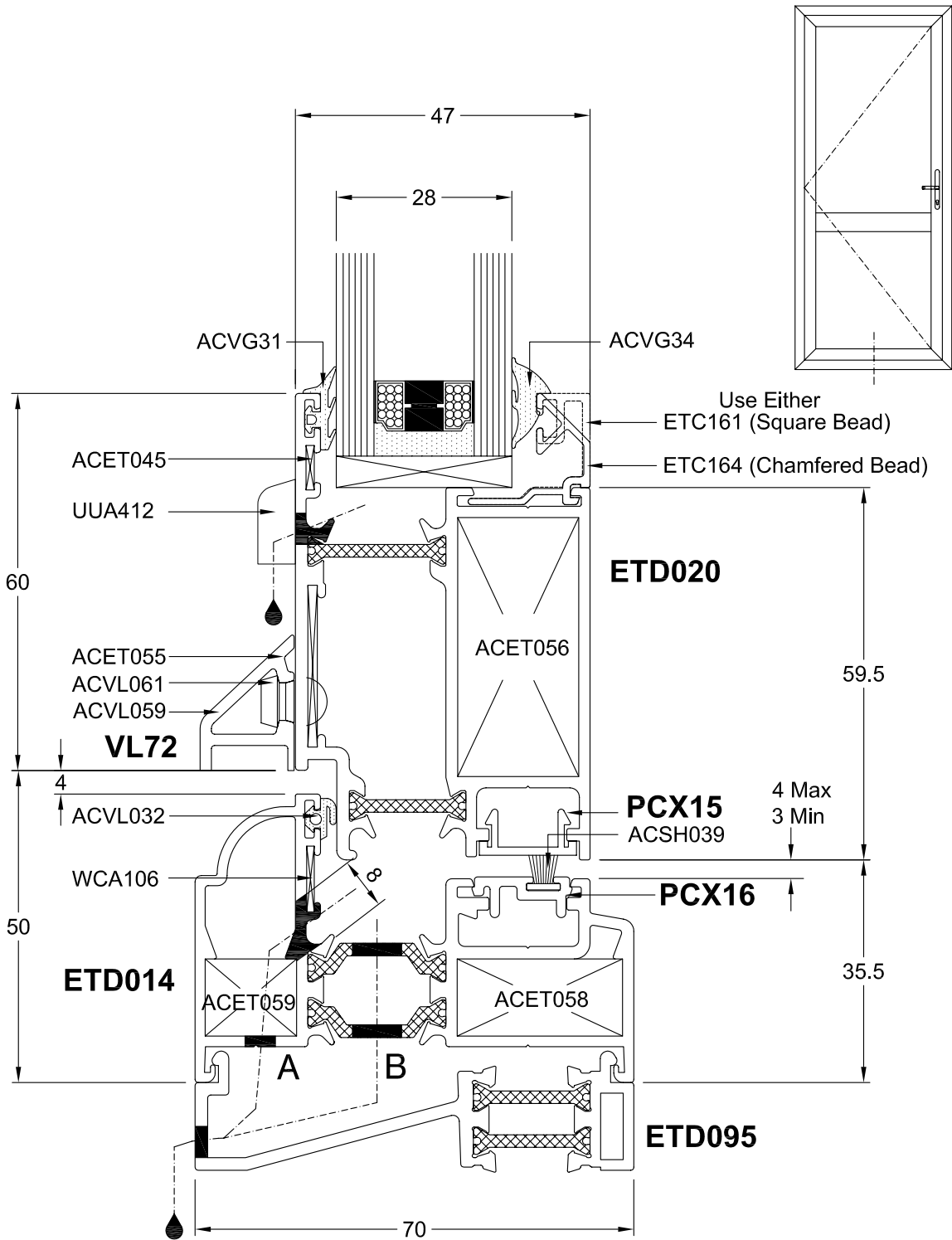


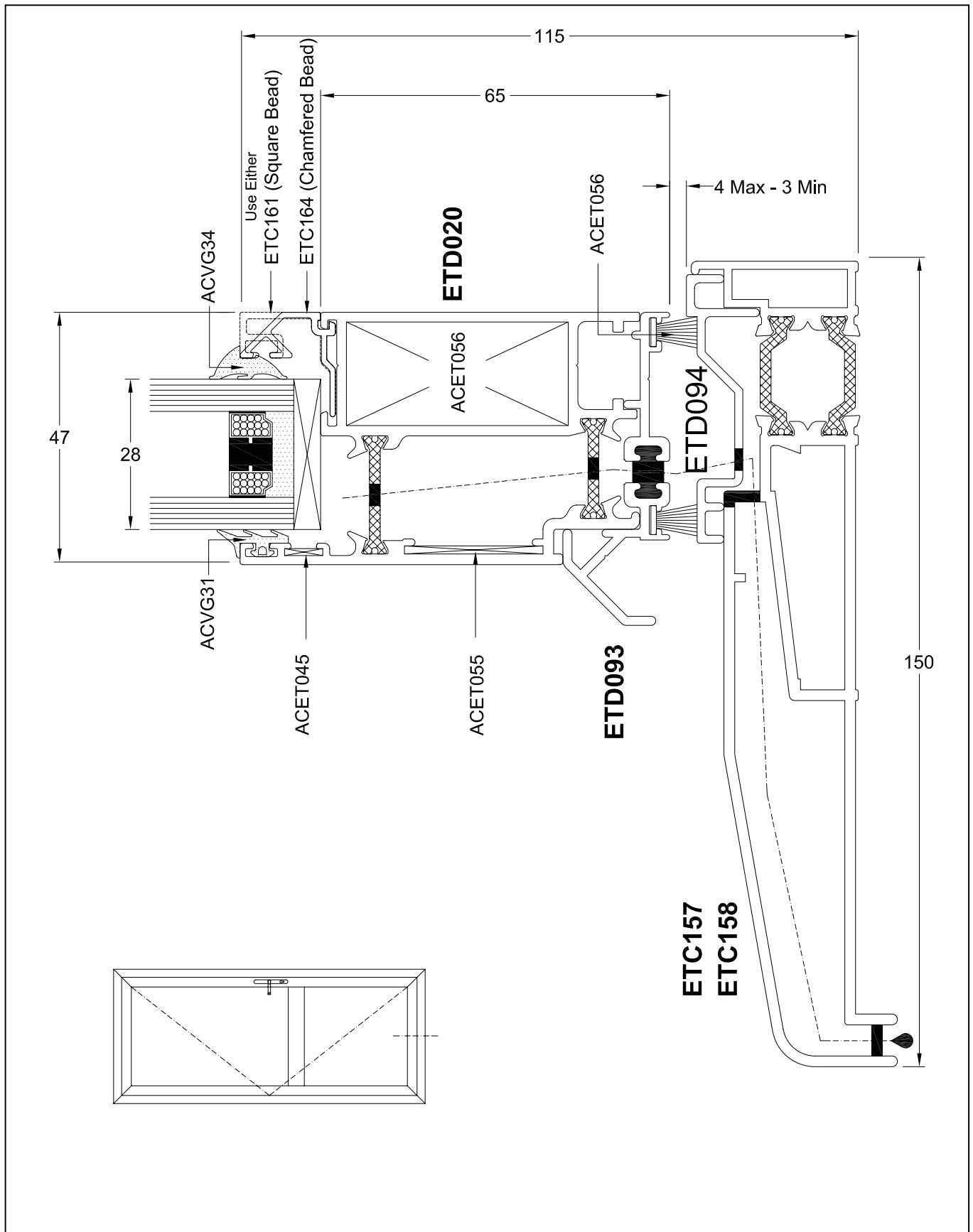


6e

Doors - Open In

Scale 1:1

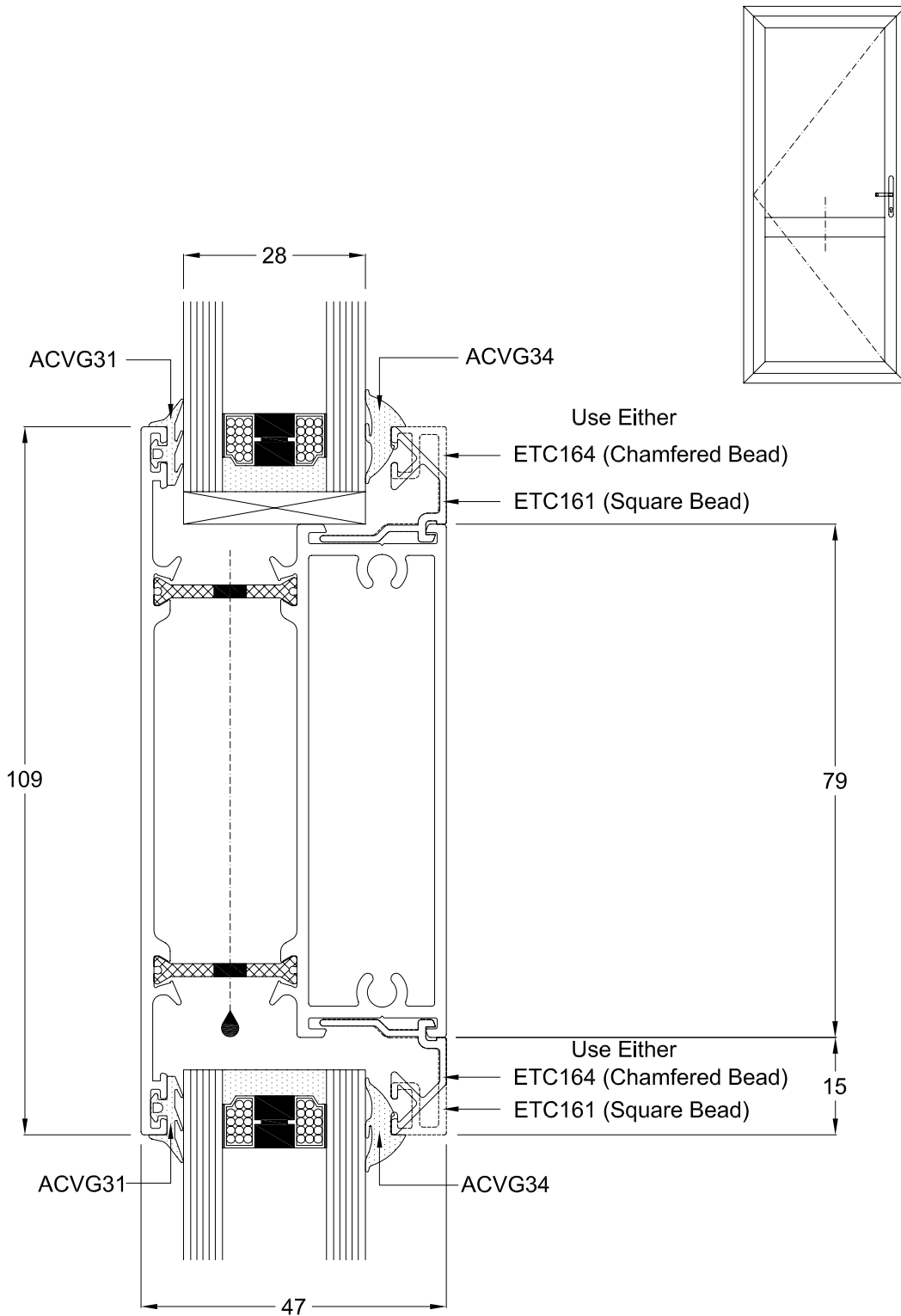


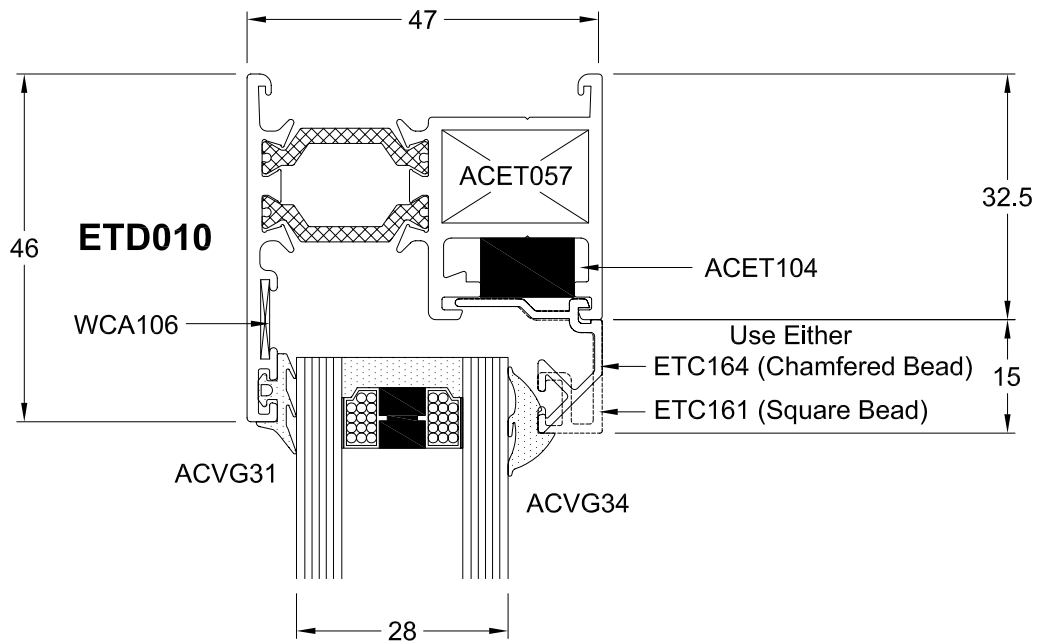
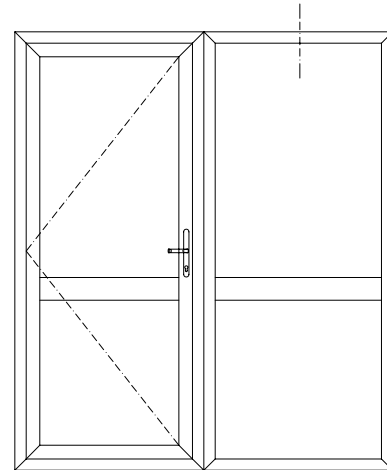


7a

Doors - Open In

Scale 1:1

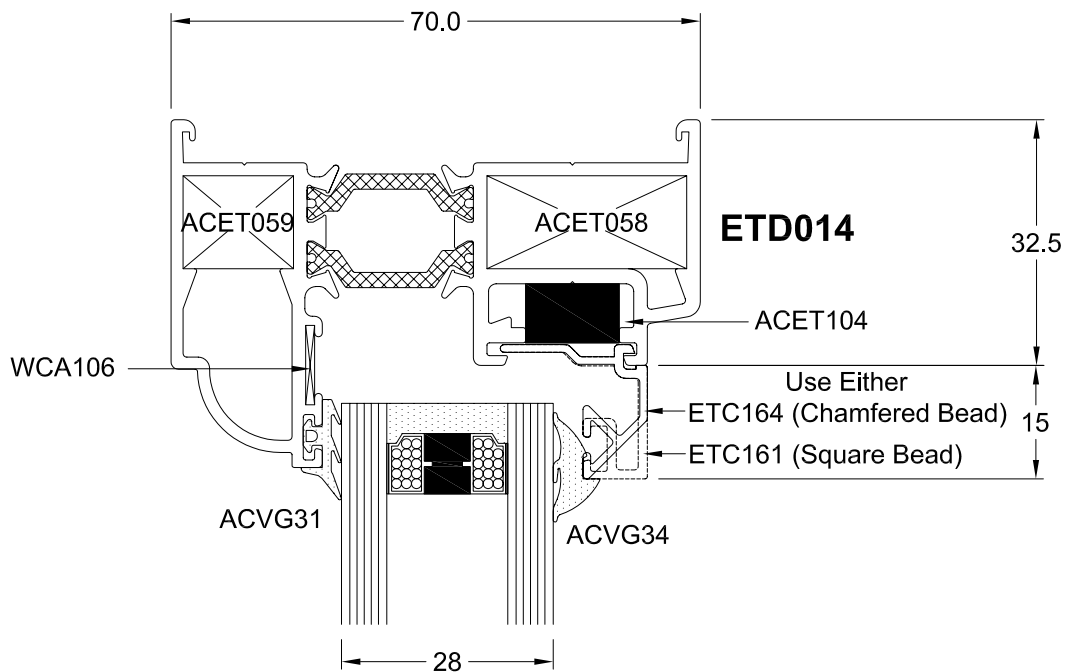
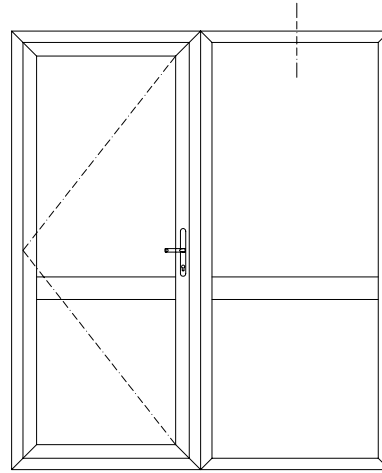


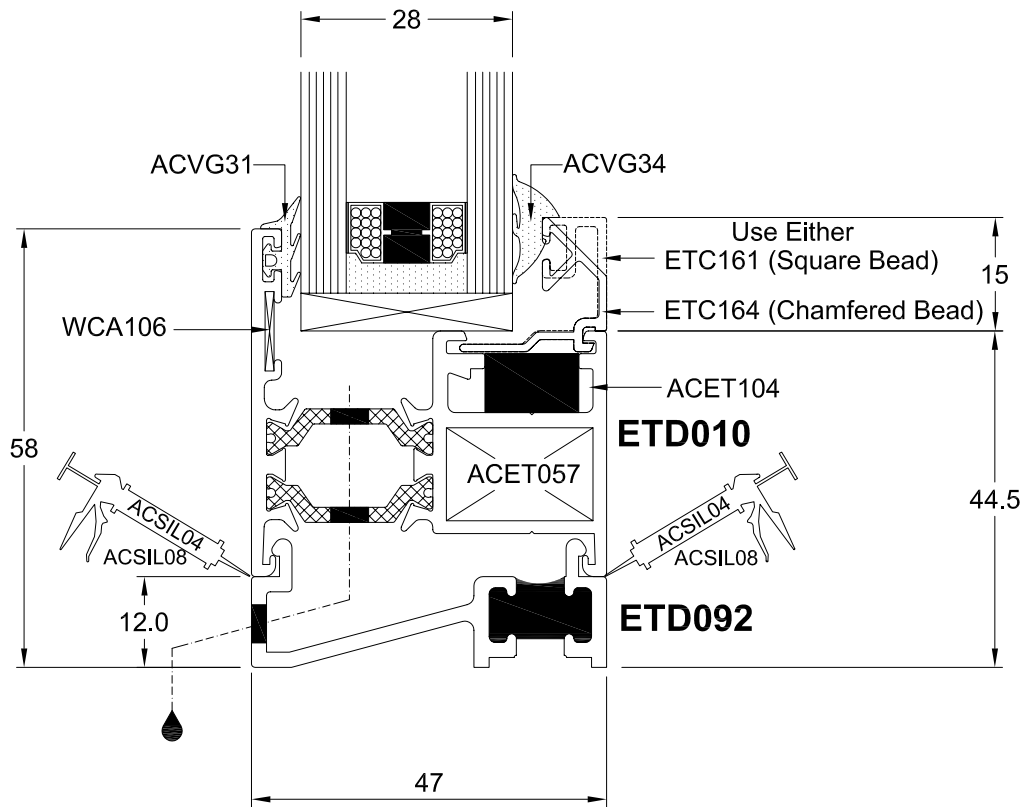
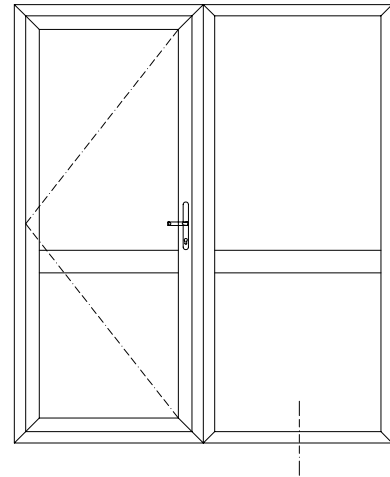


8b

Doors - Open In

Scale 1:1

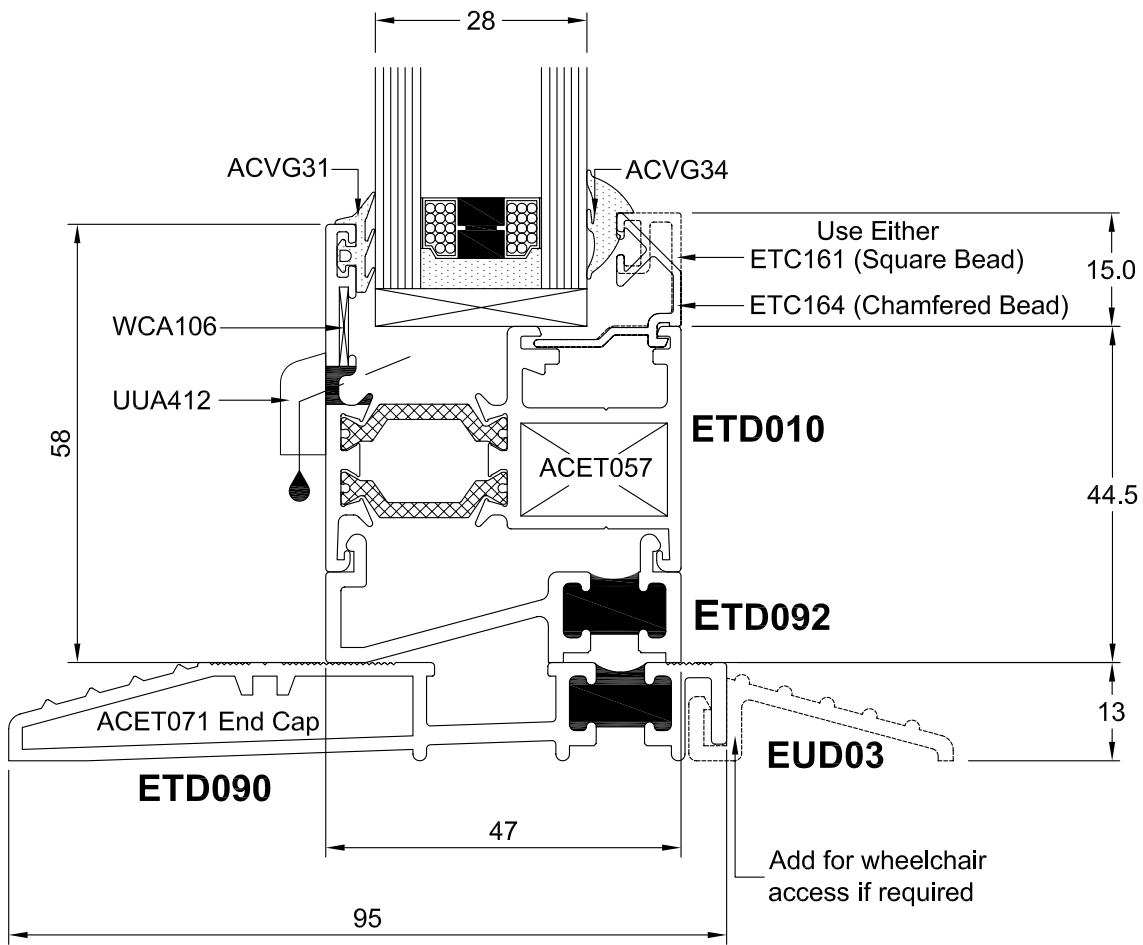
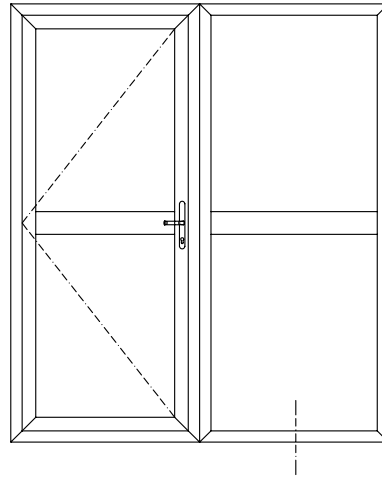


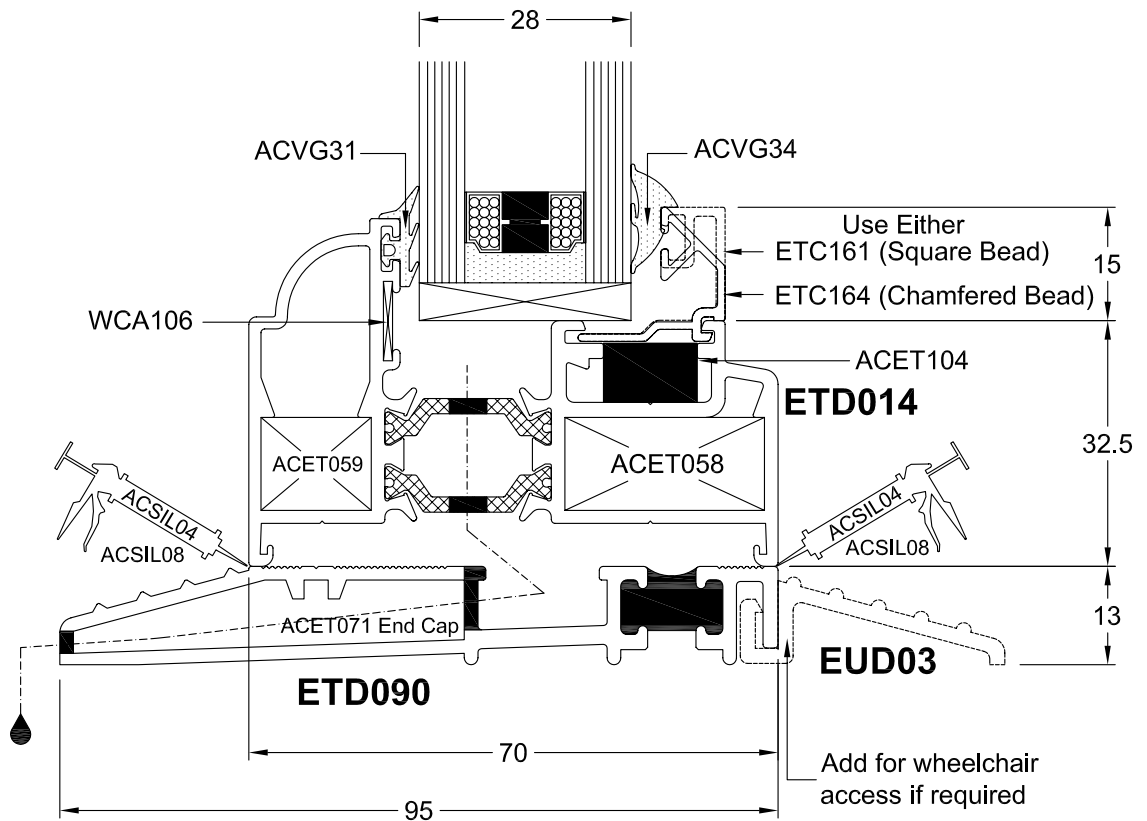
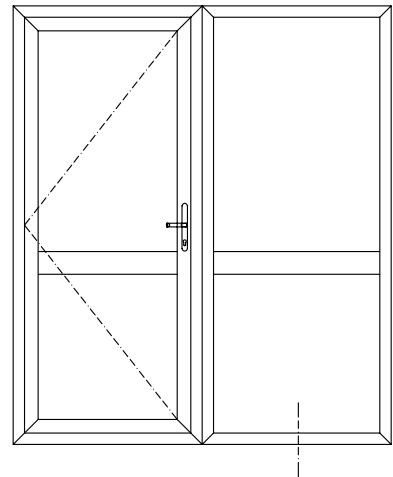


9b

Doors - Open In

Scale 1:1







This Page Intentionally Left Blank

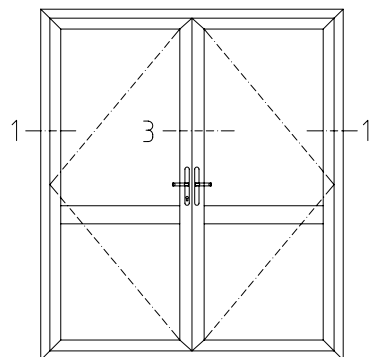
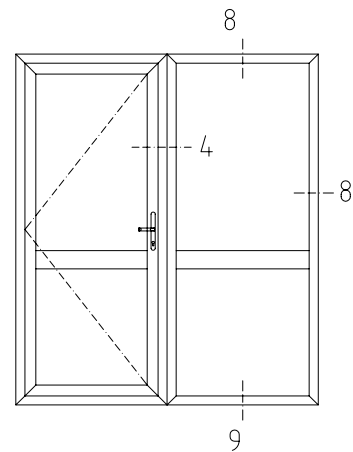
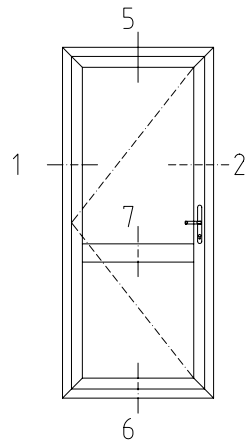


Sections

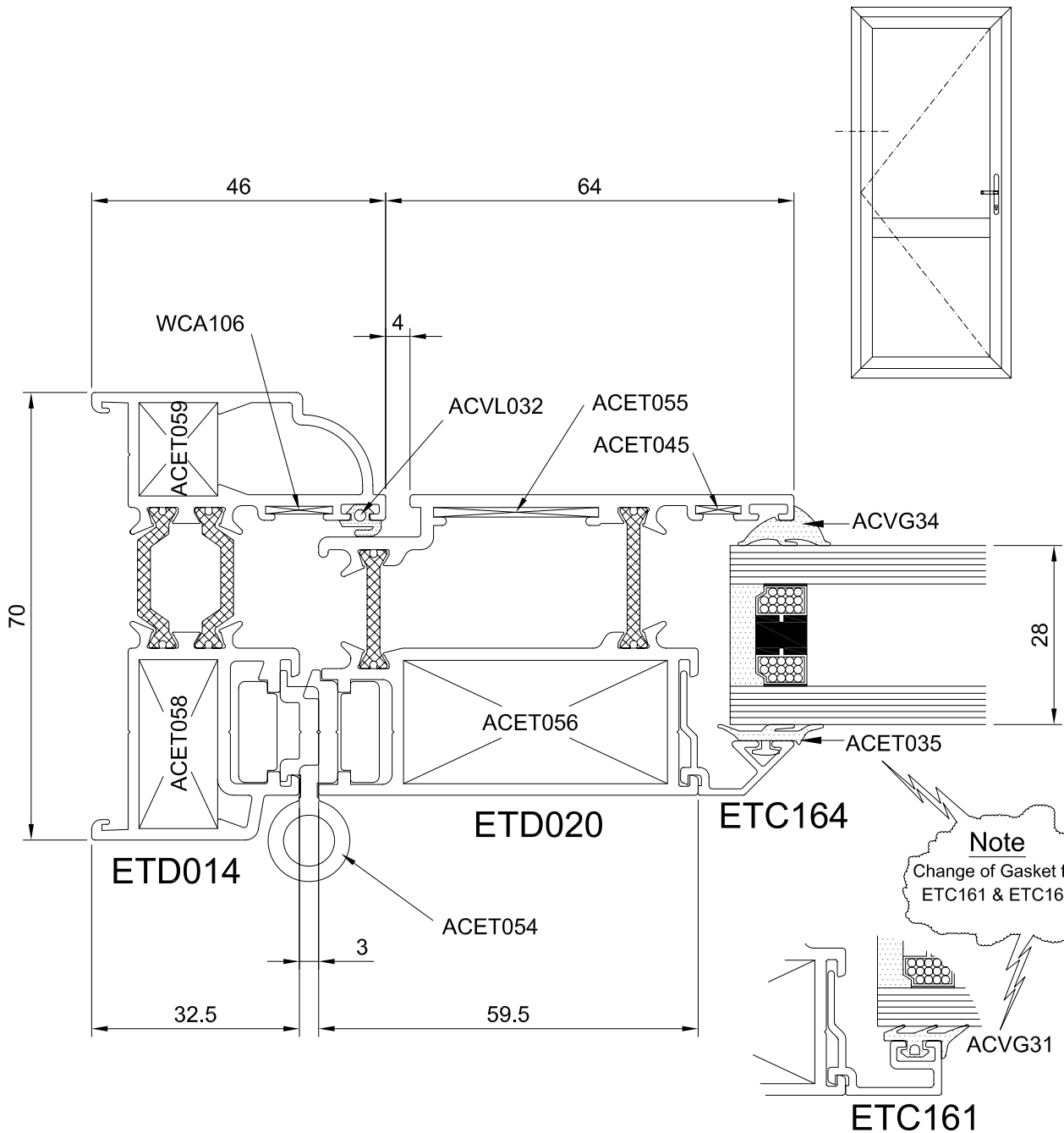
Doors - Open Out

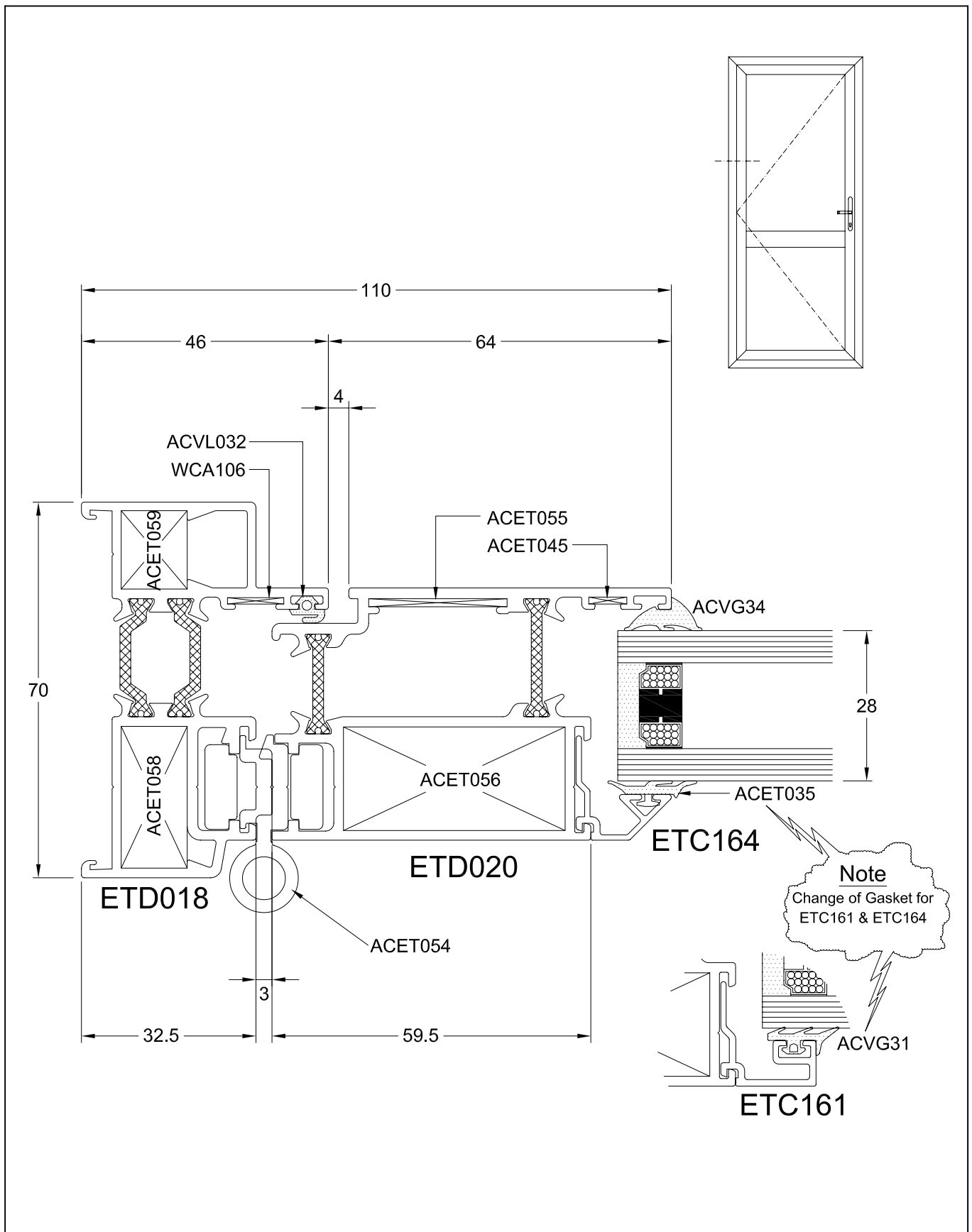


This Page Left Blank Intentionally



1a Doors - Open Out Scale 1:1

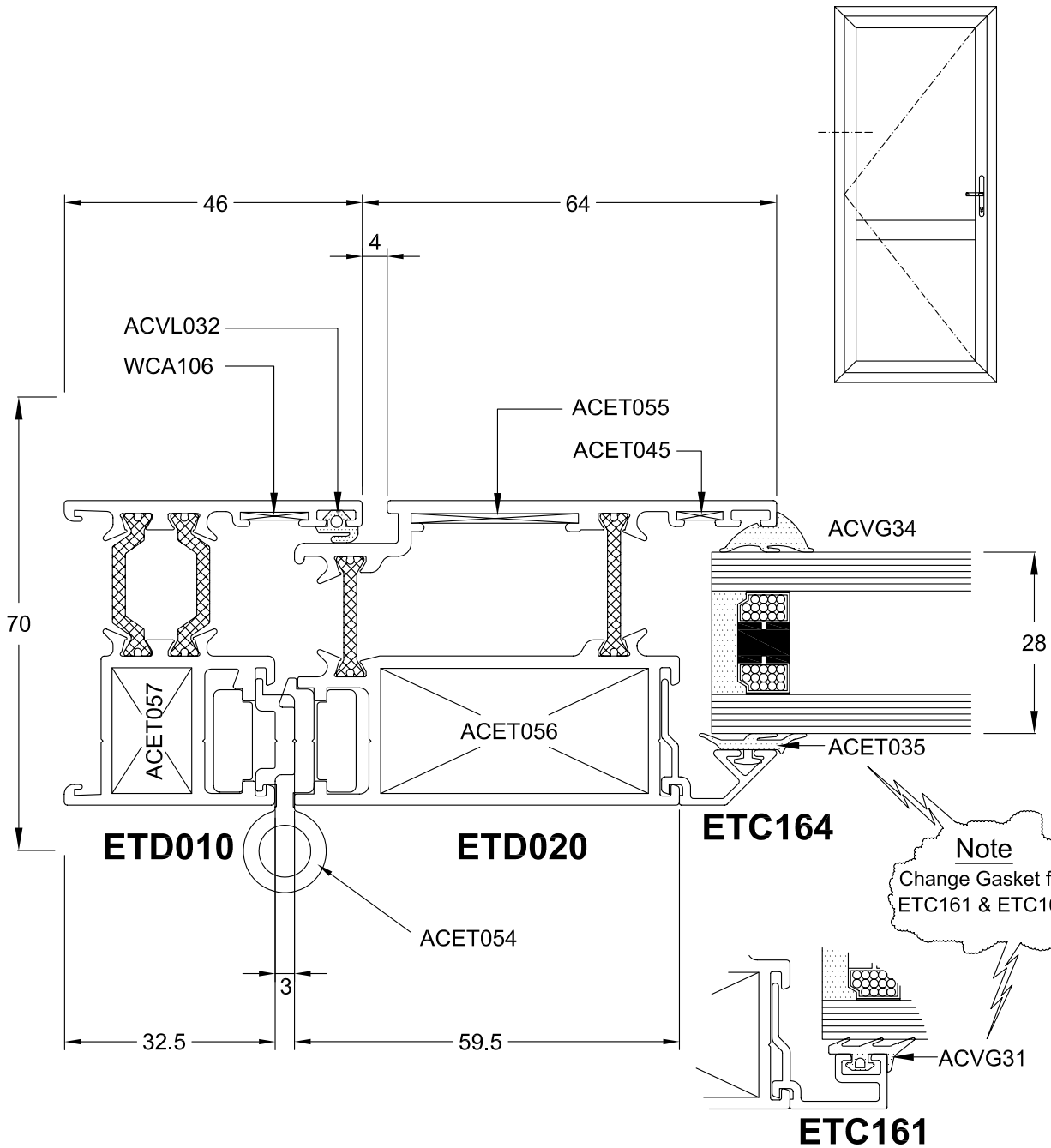




1c

Doors - Open Out

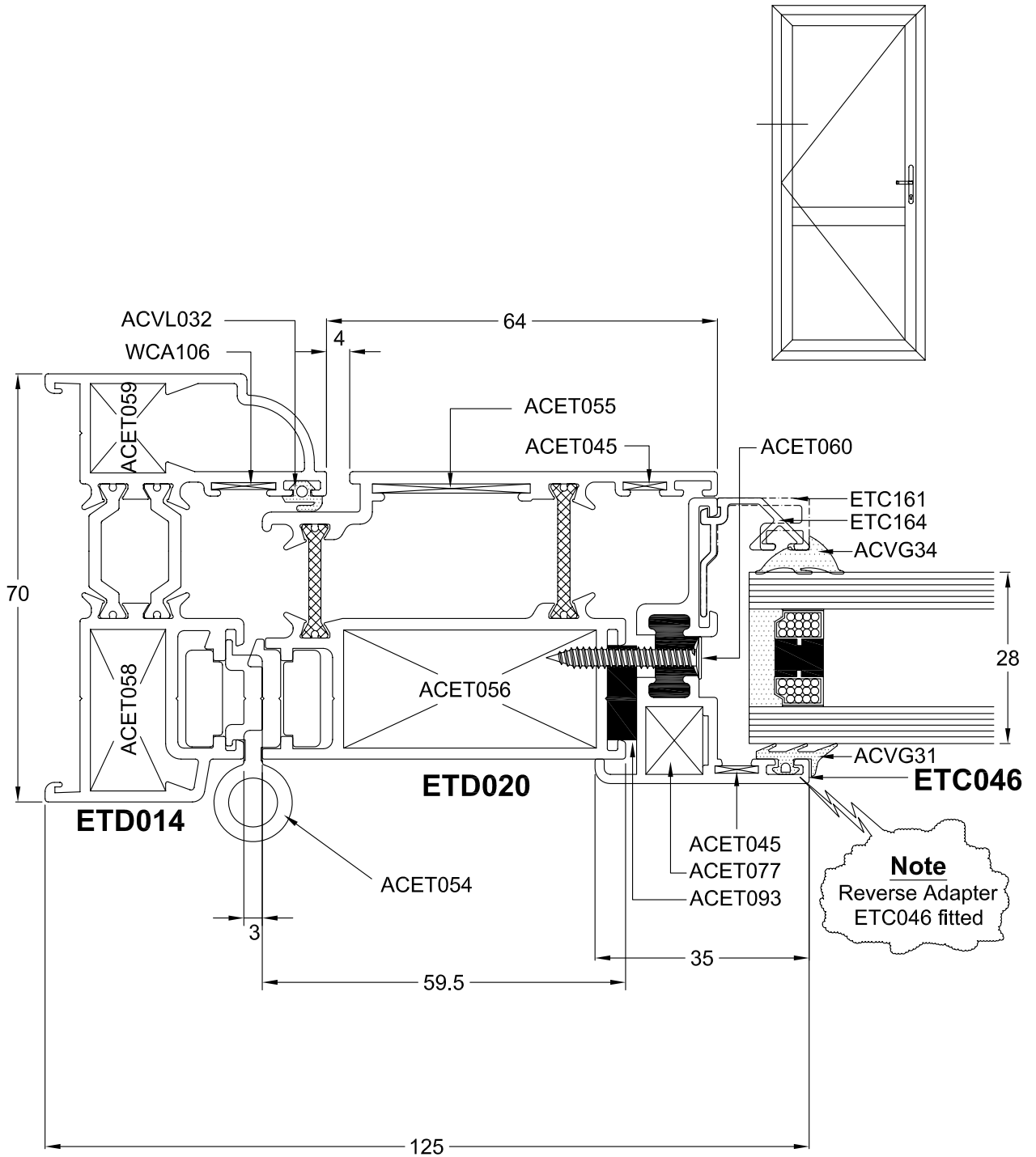
Scale 1:1



Scale 1:1

Doors - Open Out

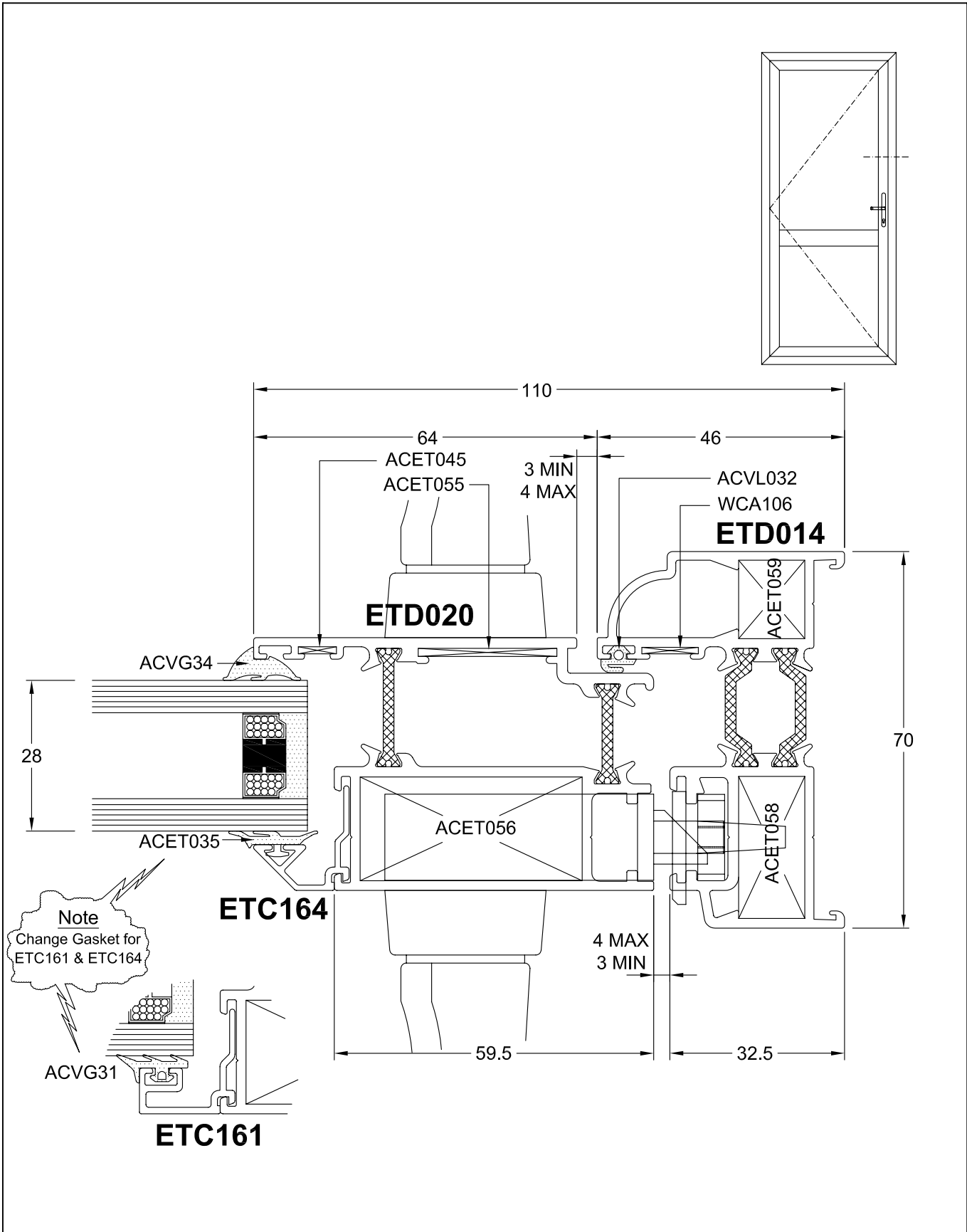
1d



2A

Doors - Open Out

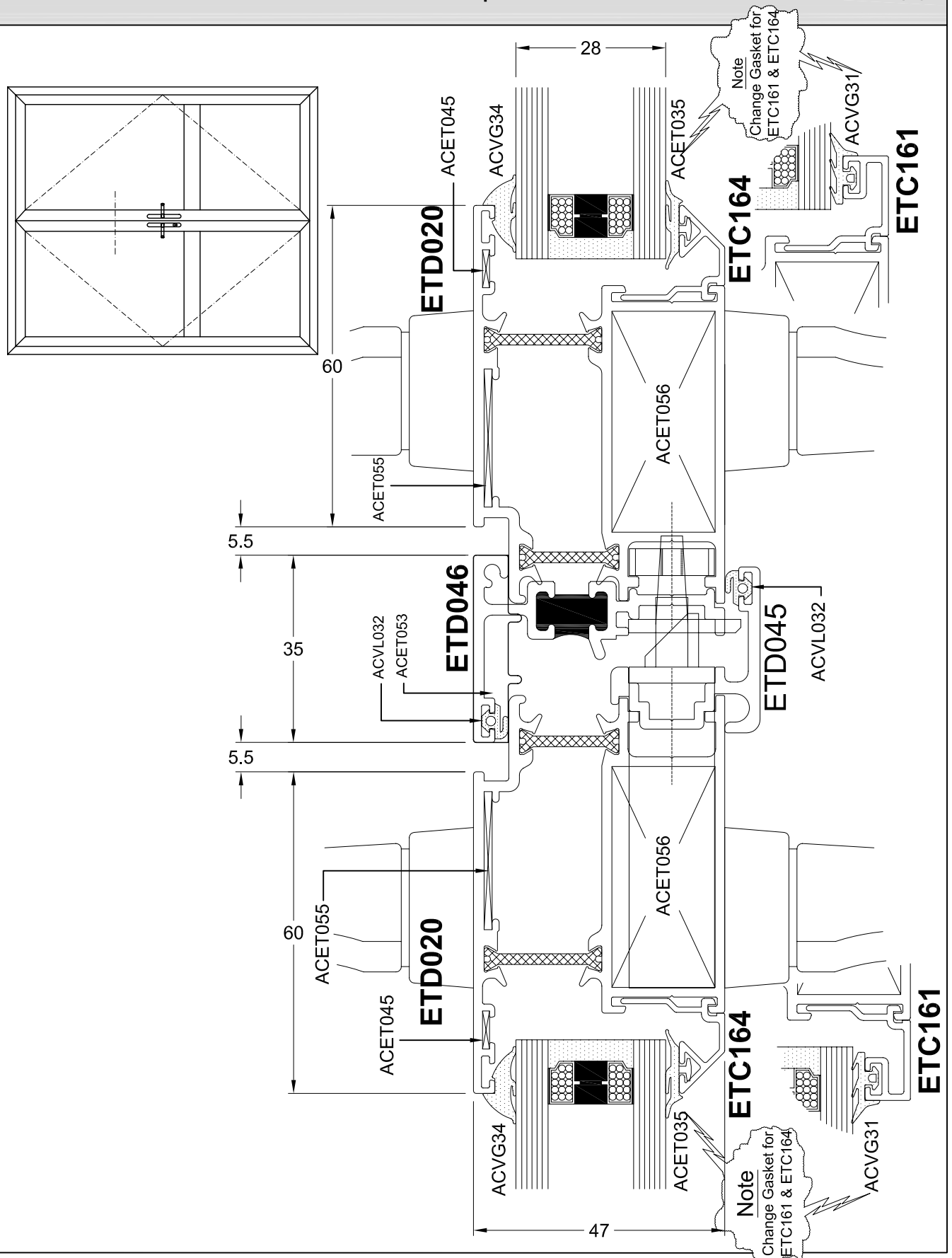
Scale 1:1



Scale 1:1

Doors - OpenOut

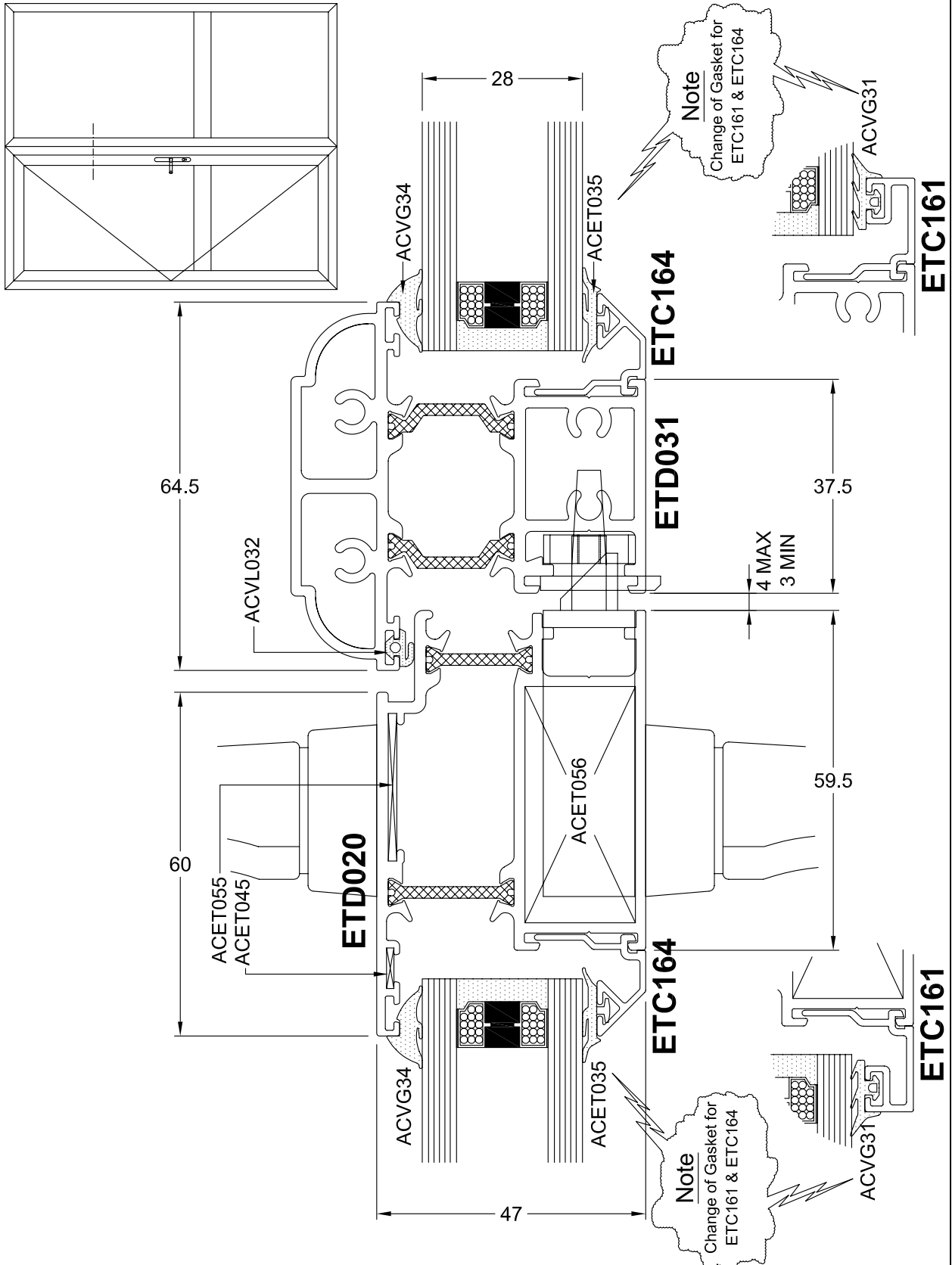
3a



4a

Doors - Open Out

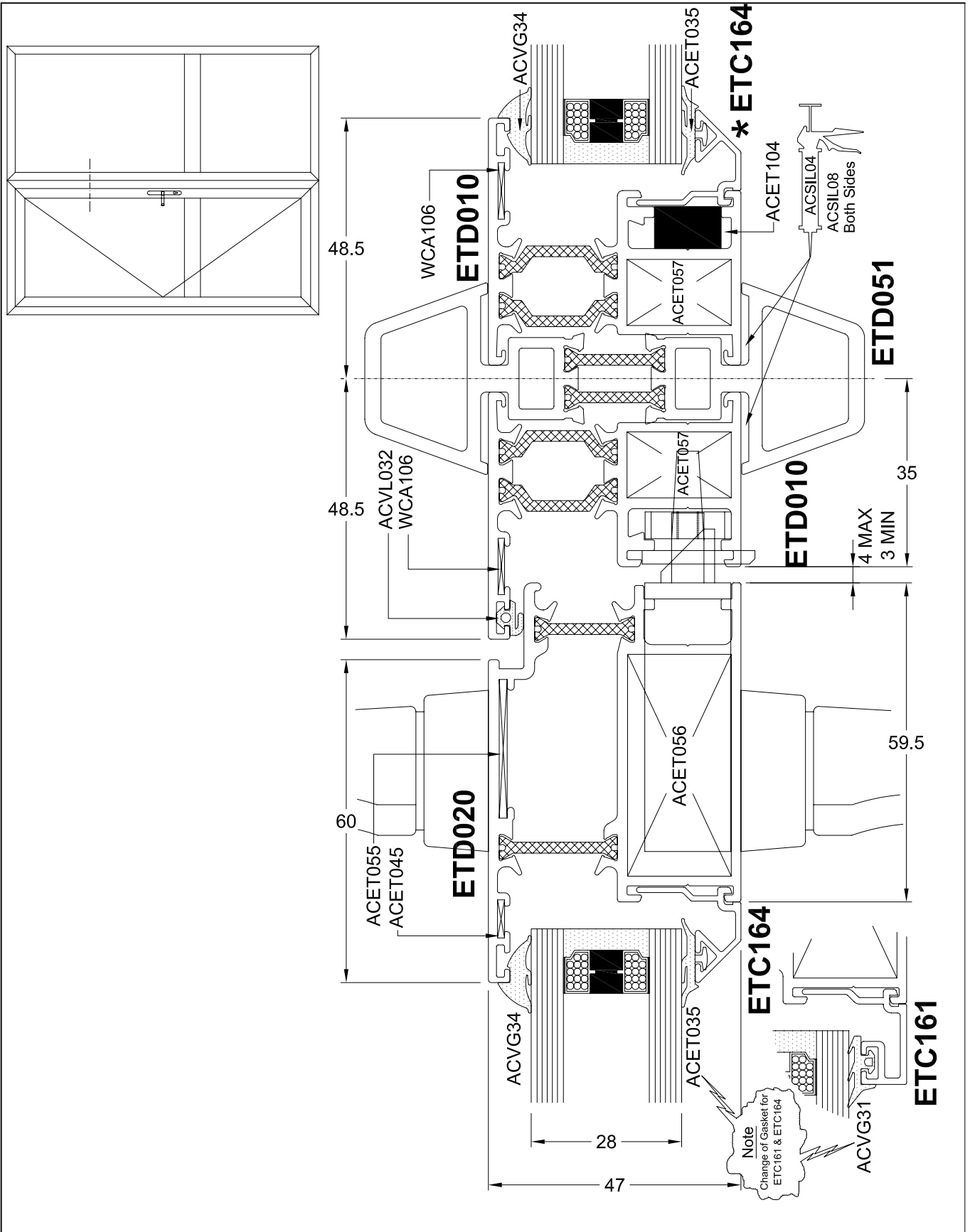
Scale 1:1

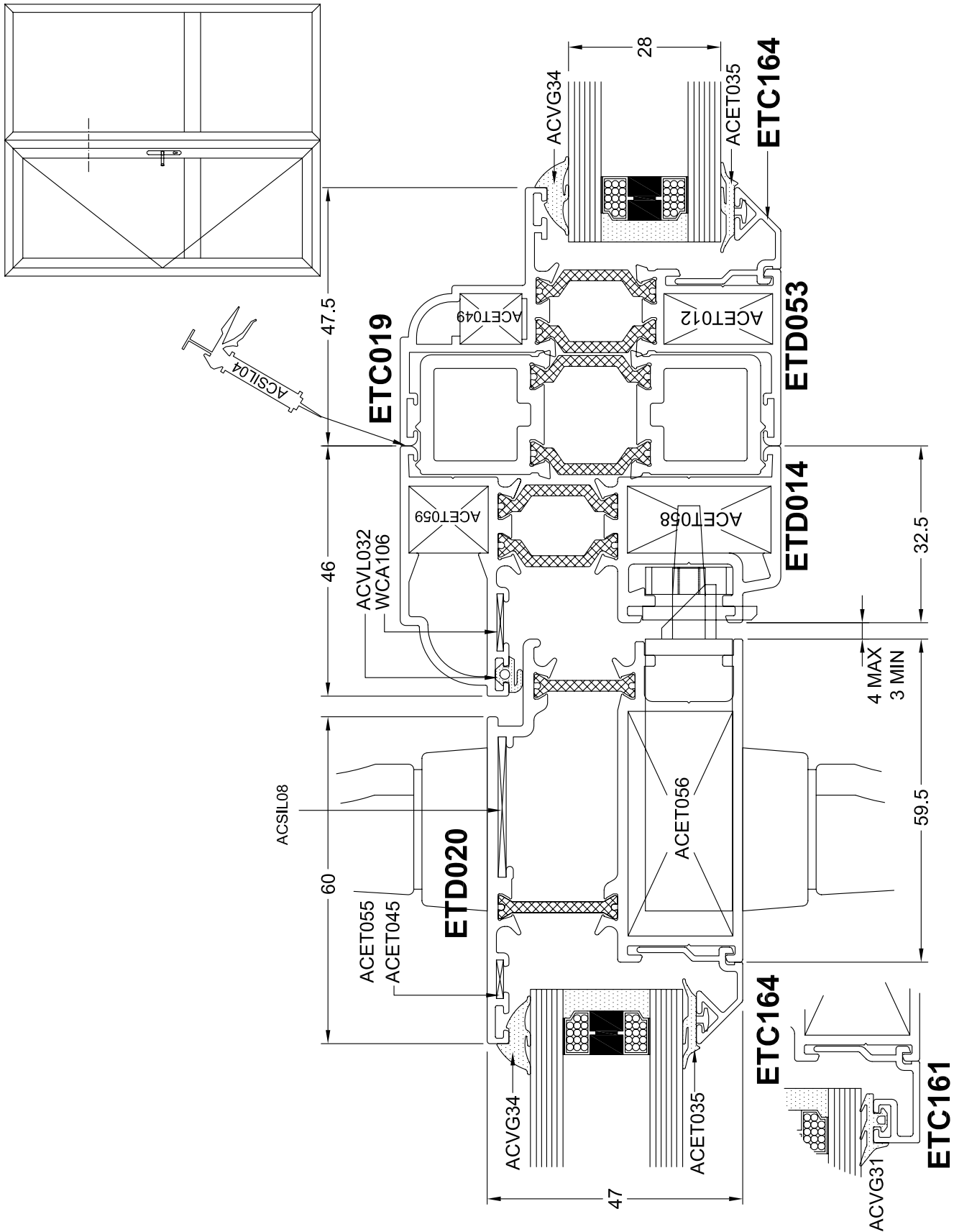


Scale 1:1

Doors - Open Out

4b

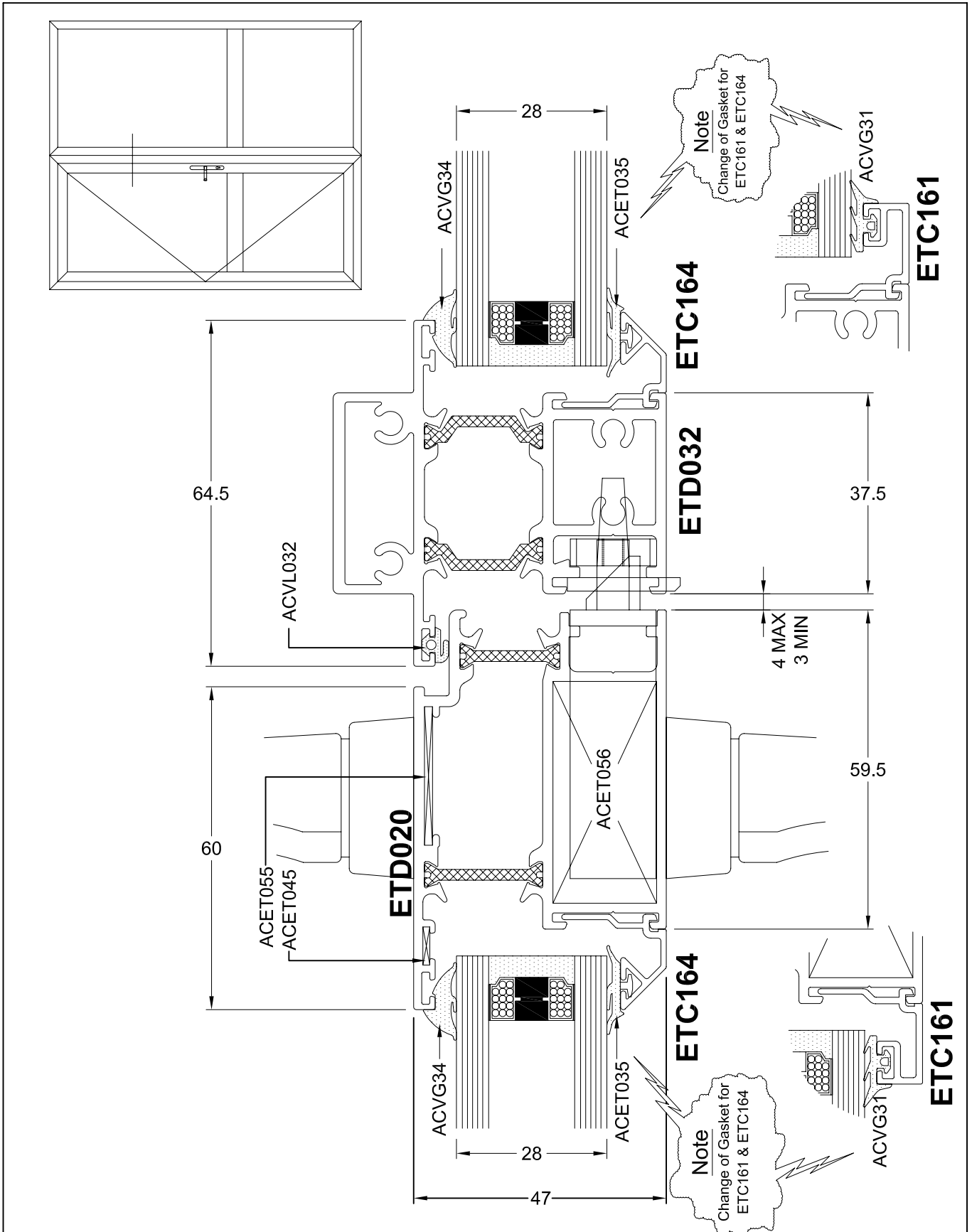




Scale 1:1

Doors - Open Out

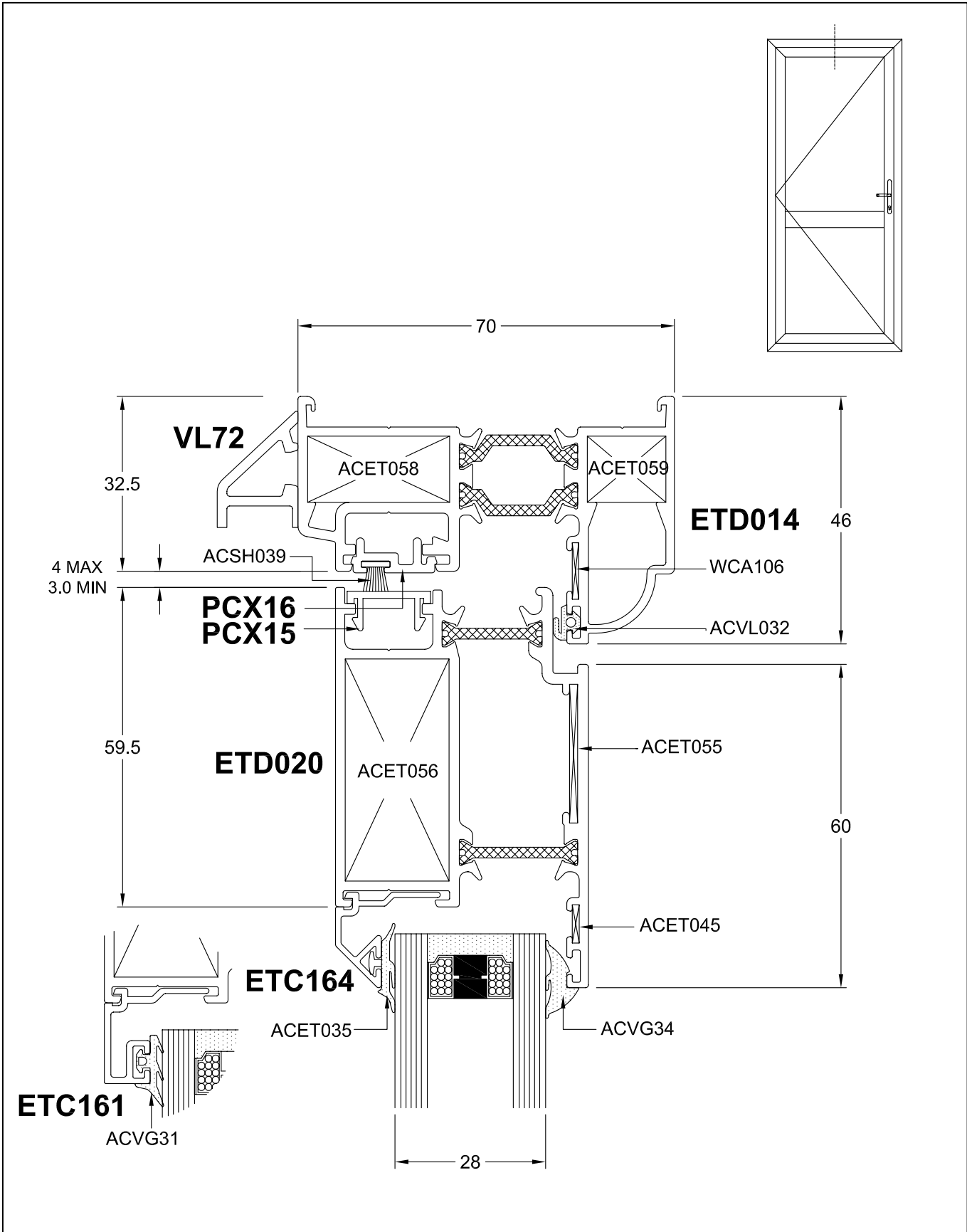
4d

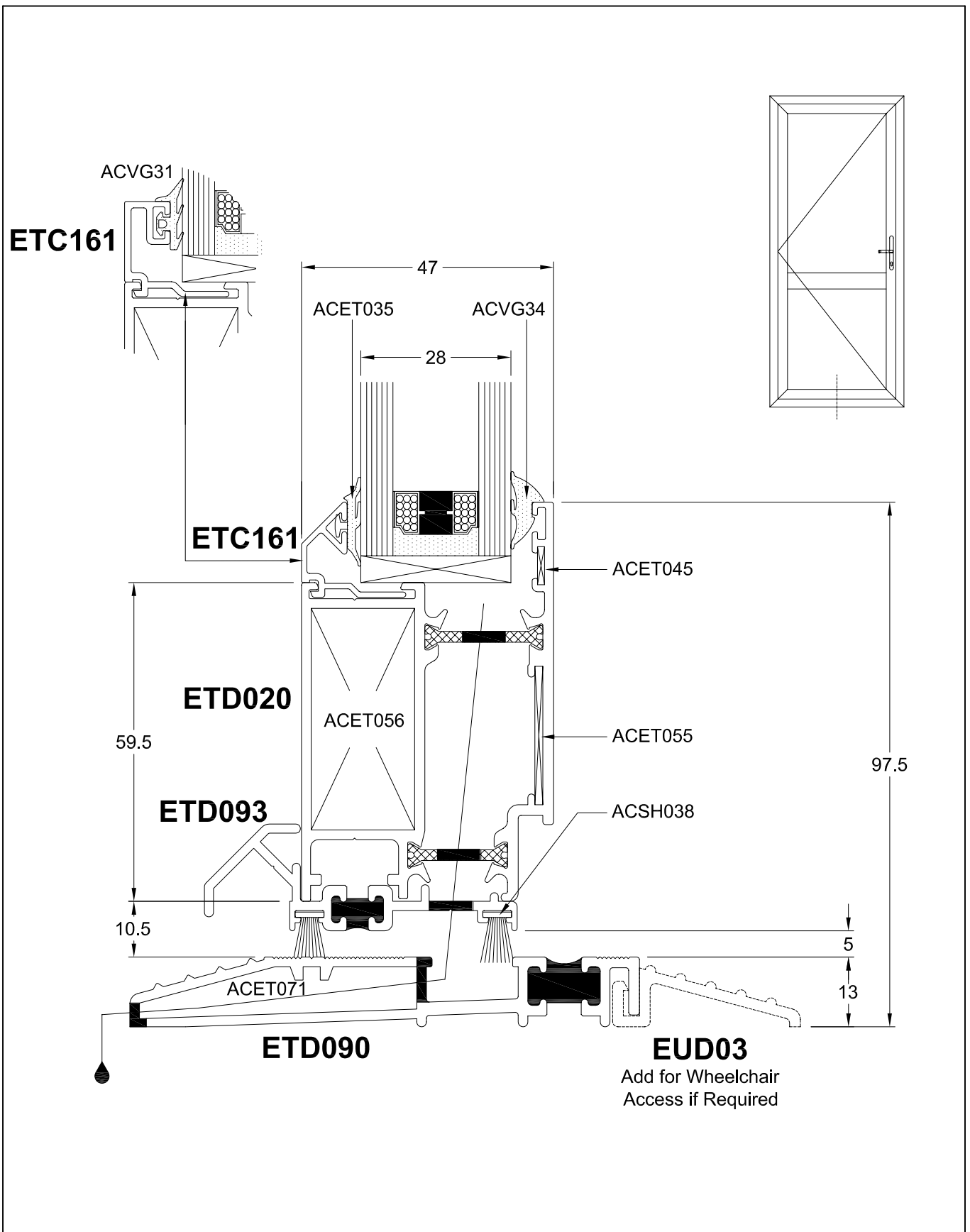


5a

Doors - Open Out

Scale 1:1





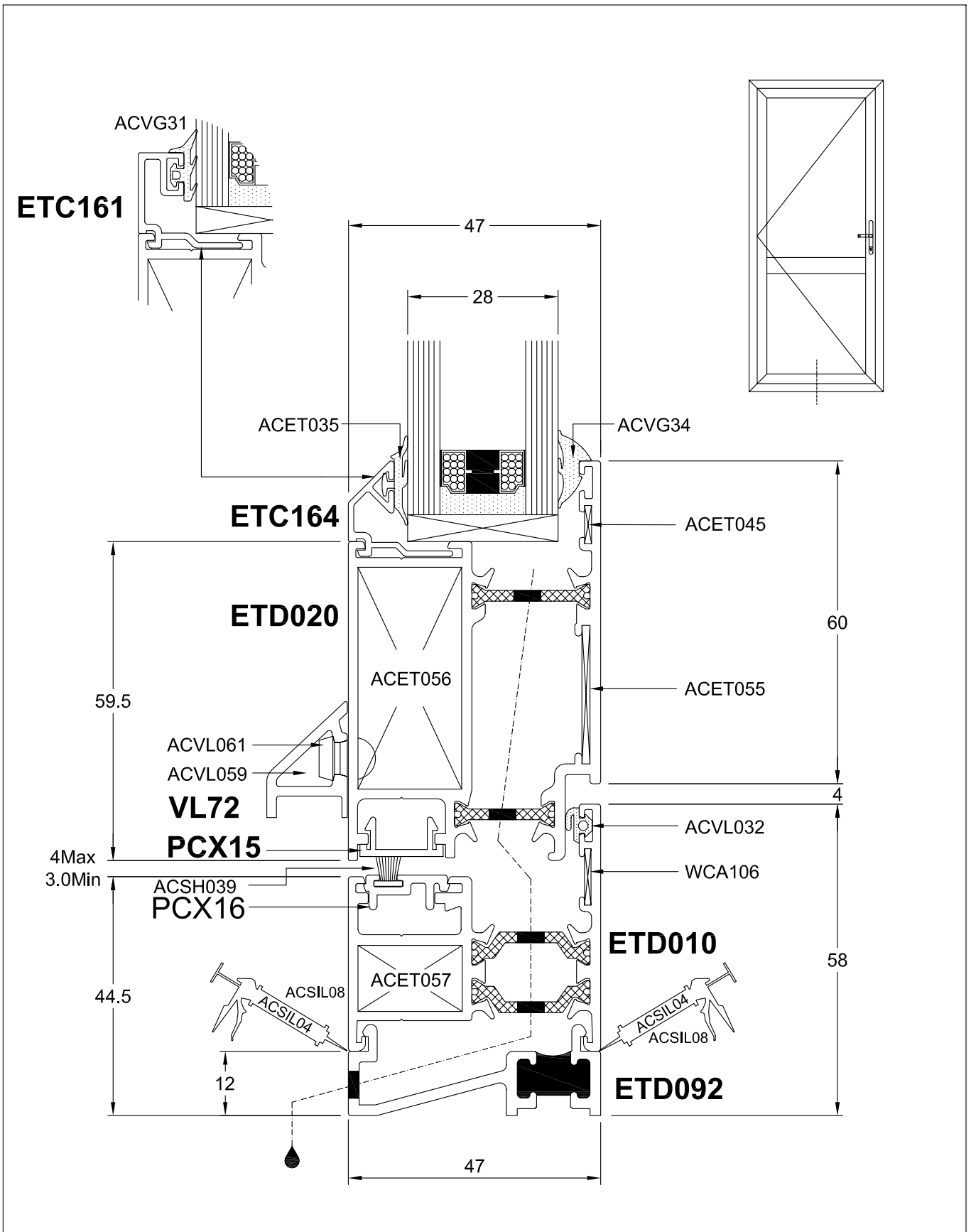


6b

Doors - Open Out

Scale 1:1

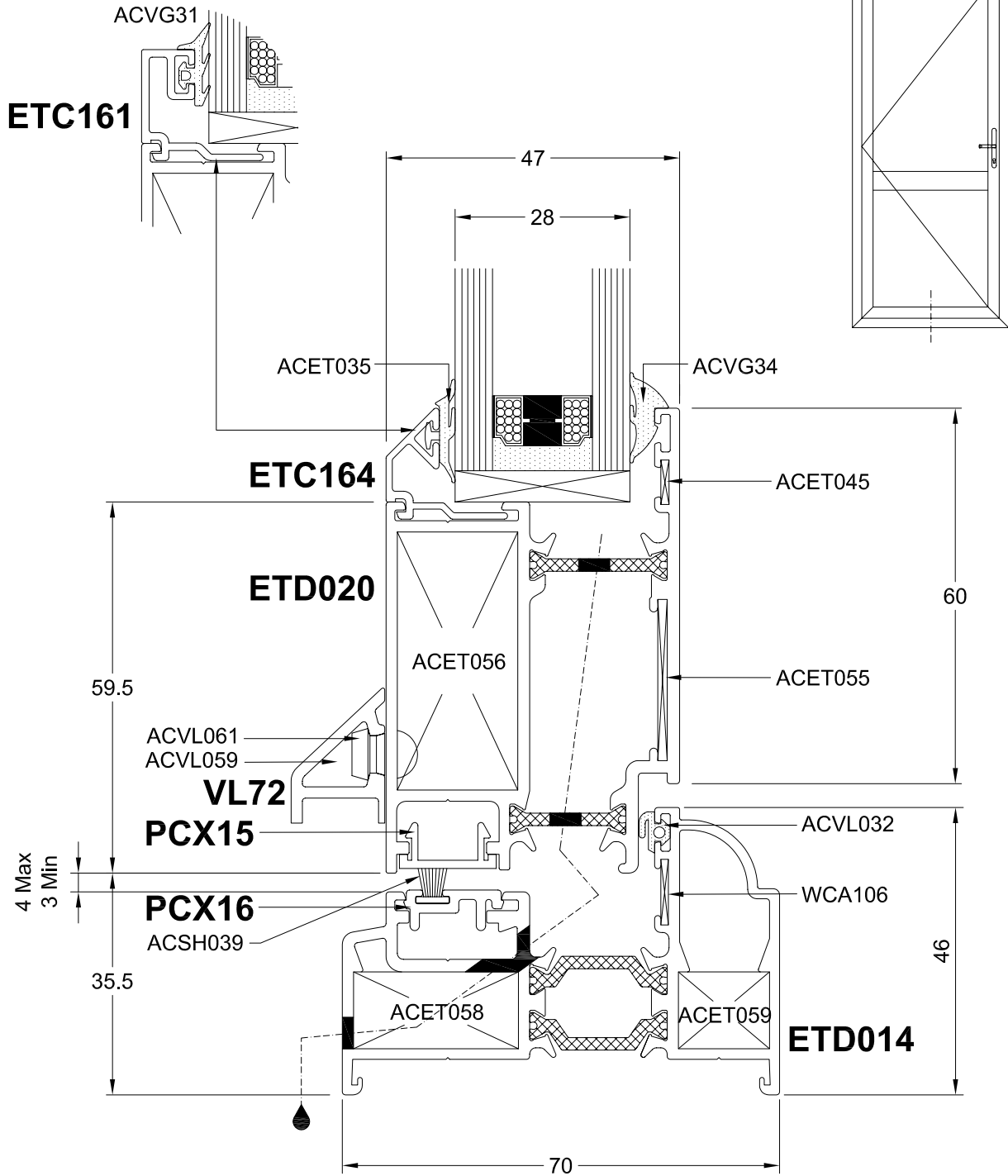
This Page Left Intentionally Blank



6d

Doors - Open Out

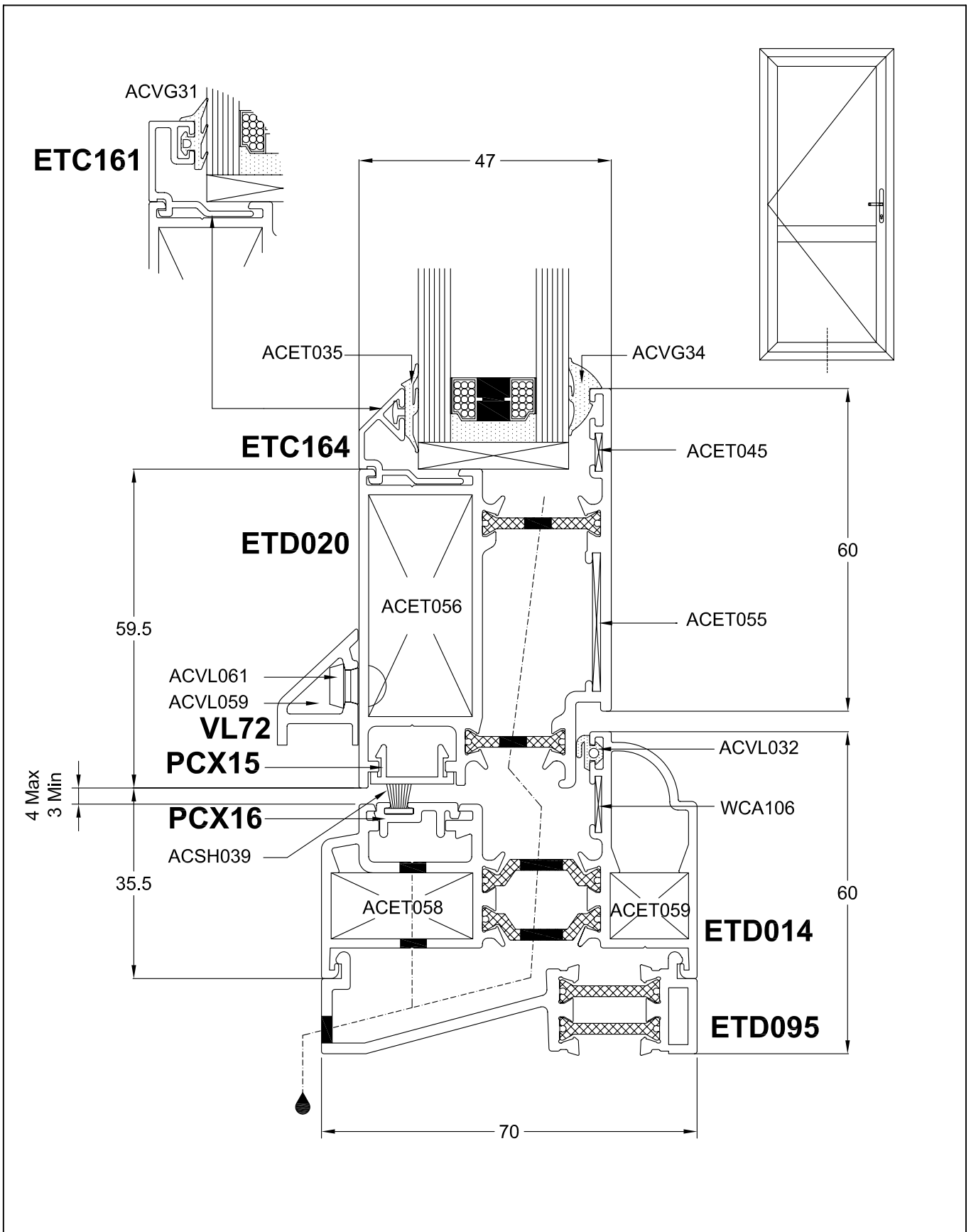
Scale 1:1



Scale 1:1

Doors - Open Out

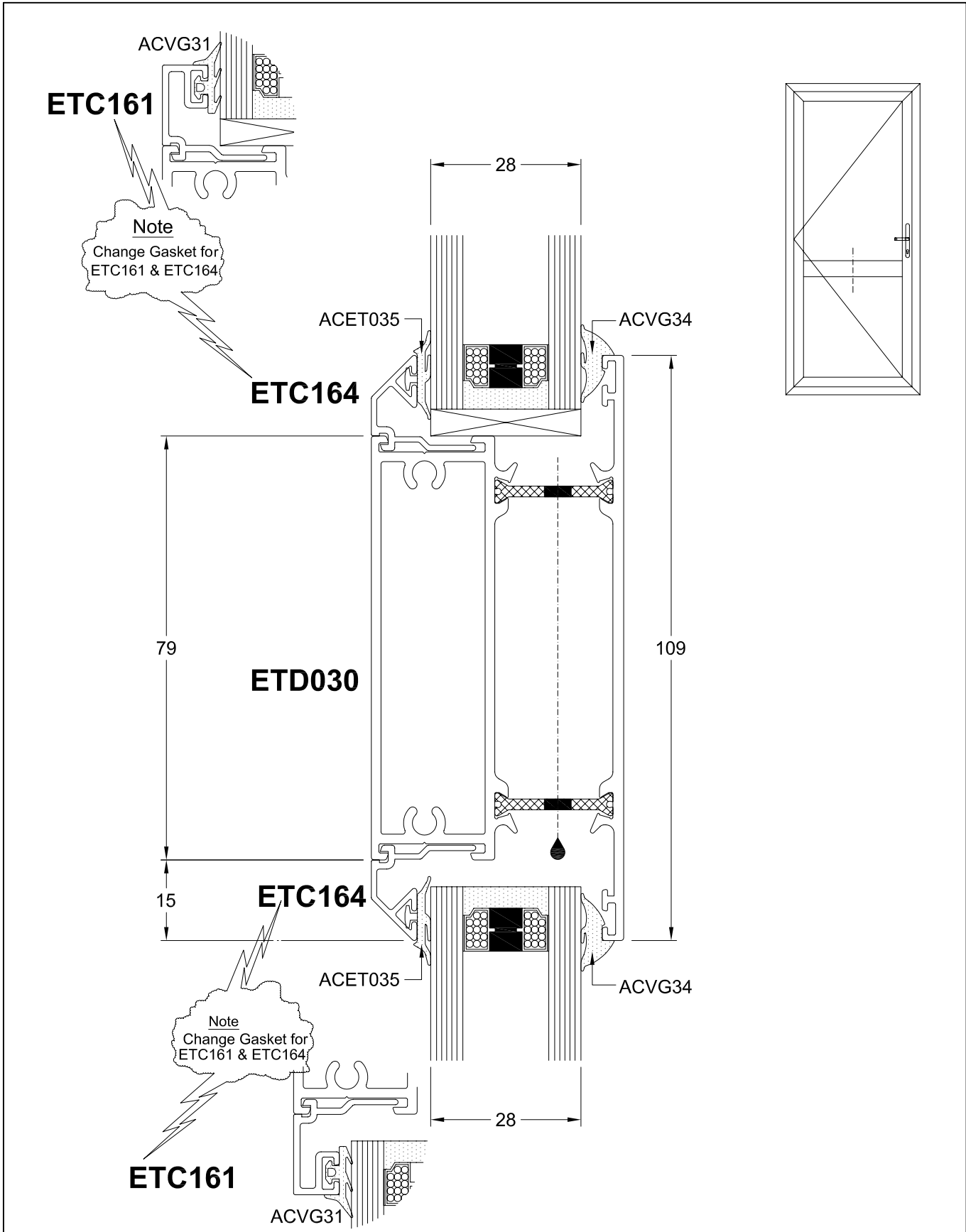
6e



7a

Doors - Open Out

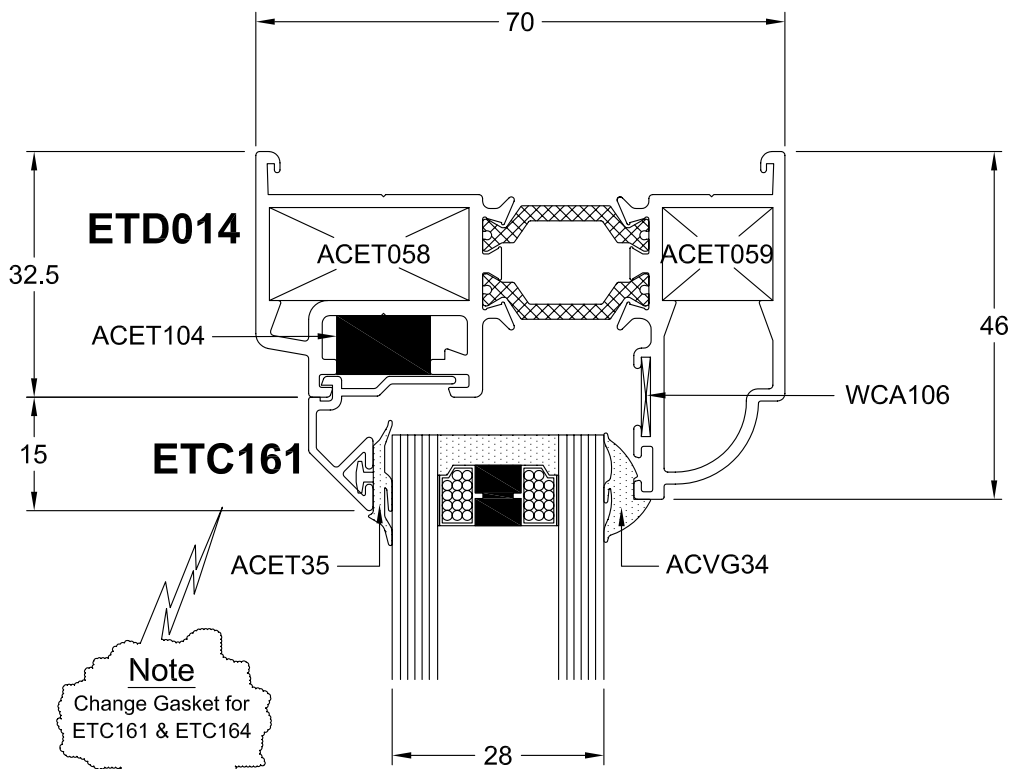
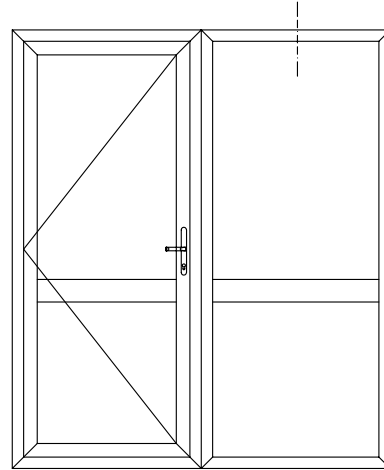
Scale 1:1



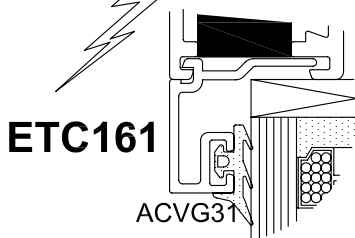
8b

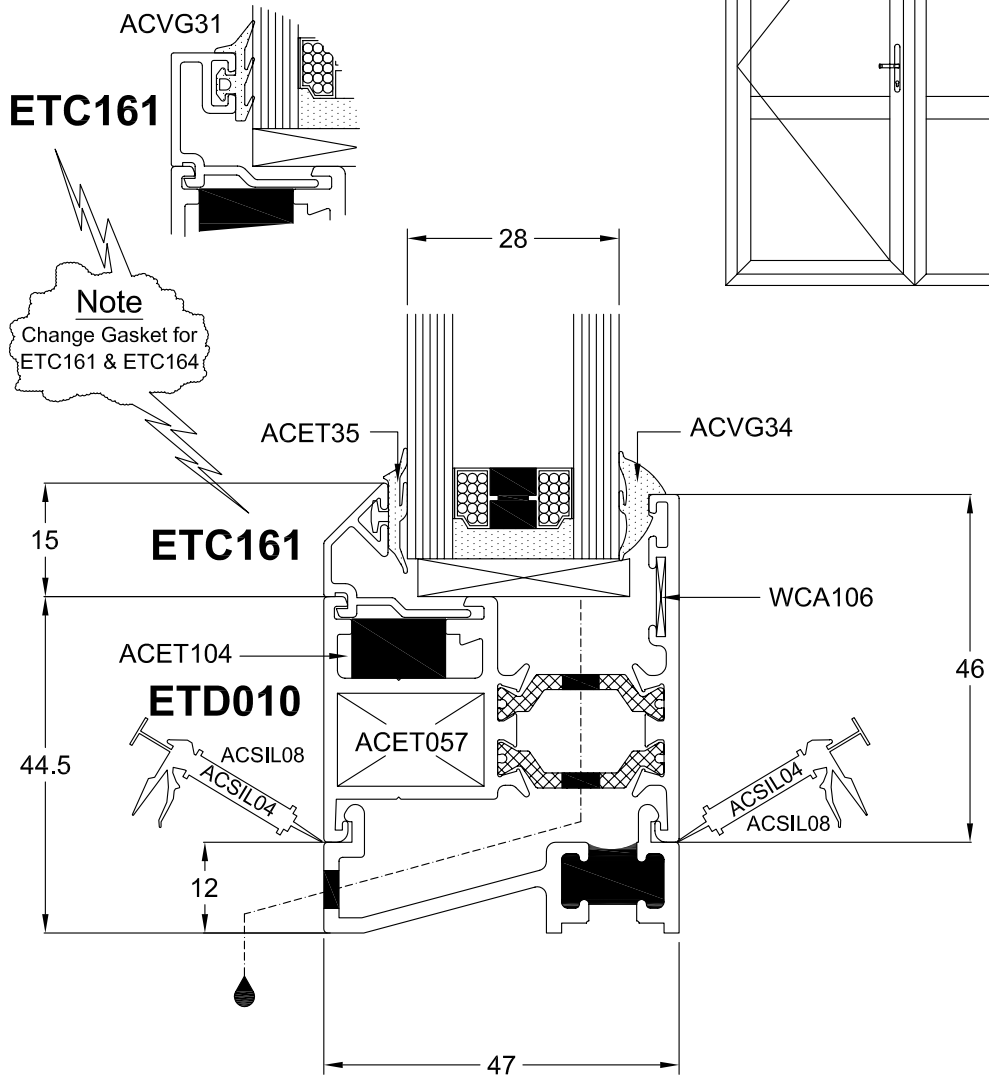
Doors - Open Out

Scale 1:1



Note
Change Gasket for
ETC161 & ETC164

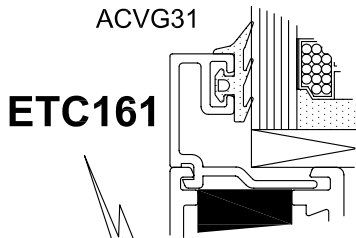




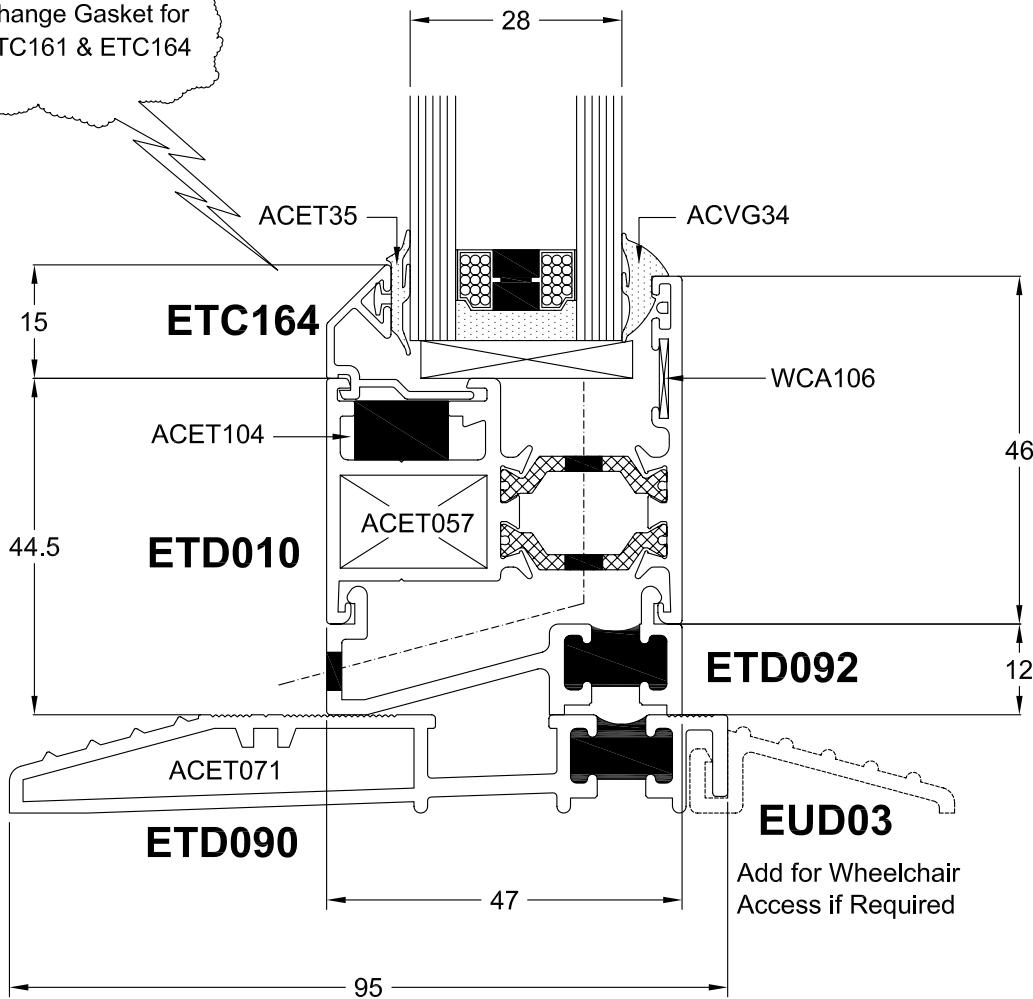
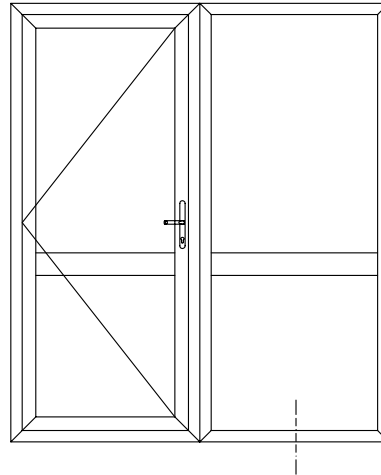
9b

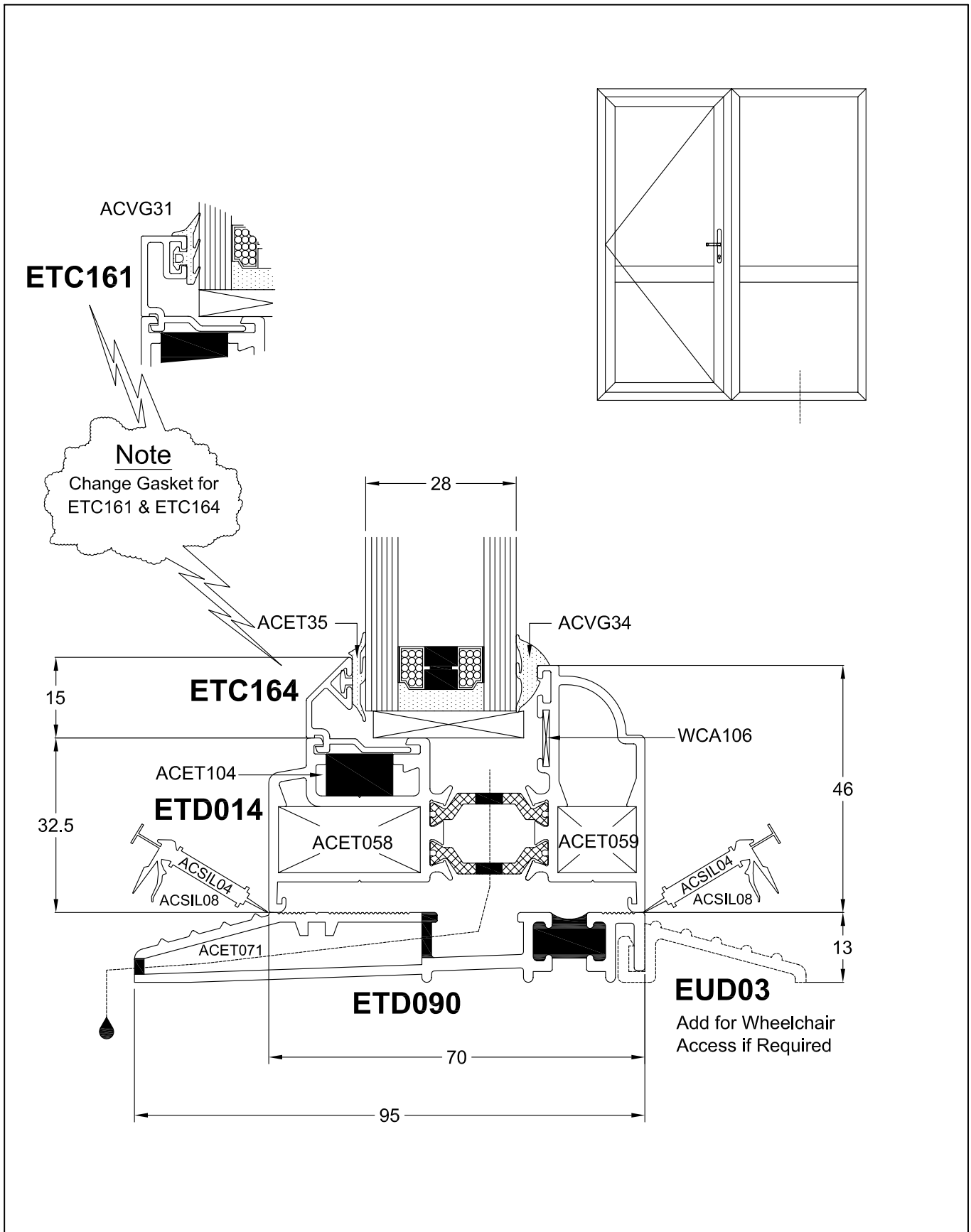
Doors - Open Out

Scale 1:1



Note
Change Gasket for
ETC161 & ETC164







Doors - Open Out

Scale 1:1

This Page Left Blank Intentionally



Doors - Open In

STATICS

(Not Yet Available)



Doors - Open In

This Page Left Blank Intentionally



Doors - Open Out

Statics

(Not Yet Available)



Doors - Open Out

This Page Left Blank Intentionally



Section 'E'

Alitherm Door

Section 'E'



Drawing Number: eETD---

Construction Drawing

Cover Sheet

Open In & Open Out

Cover Sheet

**Alitherm Door
Open In
Construction Drawings**

Index

E ETD

Construction Drawings << Open In >>

E 1

1 - Open In - Corner Jointing Page 83 to 89

E 2

2 - Transom/Mullion Fixings Page 90 to 93

E 3

3 - Stays / Hinges Page 94 to 94

E 4

4 - Locking Hardware Page 95 to 109

E 5

5 - Bead & Glazing Page 110 to 110

E 6

6 - Drainage Page 111 to 113

E 7

7 - Miscellaneous Page 114 to 116

**Alitherm Door
Open Out
Construction Drawings**

Index

E ETD

Construction Drawings << Open Out >>

E 1

1 - Open In - Corner Jointing Page 120 to 125

E 2

2 - Transom/Mullion Fixings Page 126 to 129

E 3

3 - Stays / Hinges Page 130 to 130

E 4

4 - Locking Hardware Page 131 to 145

E 5

5 - Bead & Glazing Page 146 to 146

E 6

6 - Drainage Page 147 to 149

E 7

7 - Miscellaneous Page 150 to 152

IF IN DOUBT ASK!

IF IN DOUBT ASK!



Section 'E'

Alitherm Door

Section 'E'



Drawing Number: eETD---

Construction Drawing

Blank Sheet

Open In

Blank Sheet

This page left Blank Intentionally

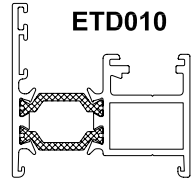
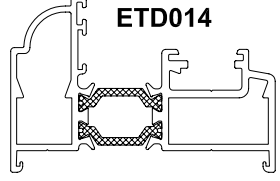
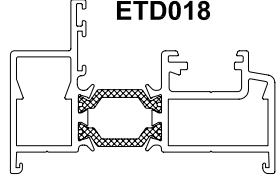
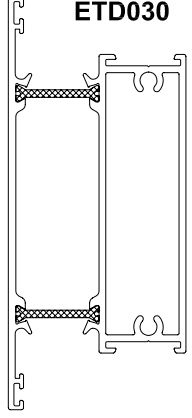
IF IN DOUBT ASK!

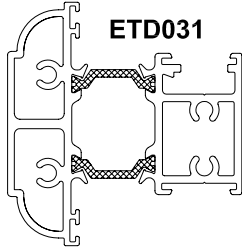
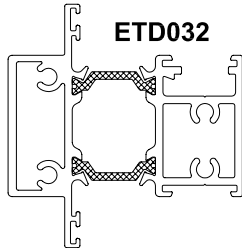
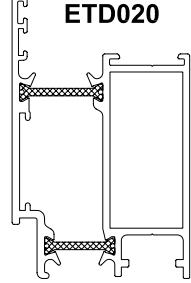
IF IN DOUBT ASK!

1a

Open In - Door Profiles

1a

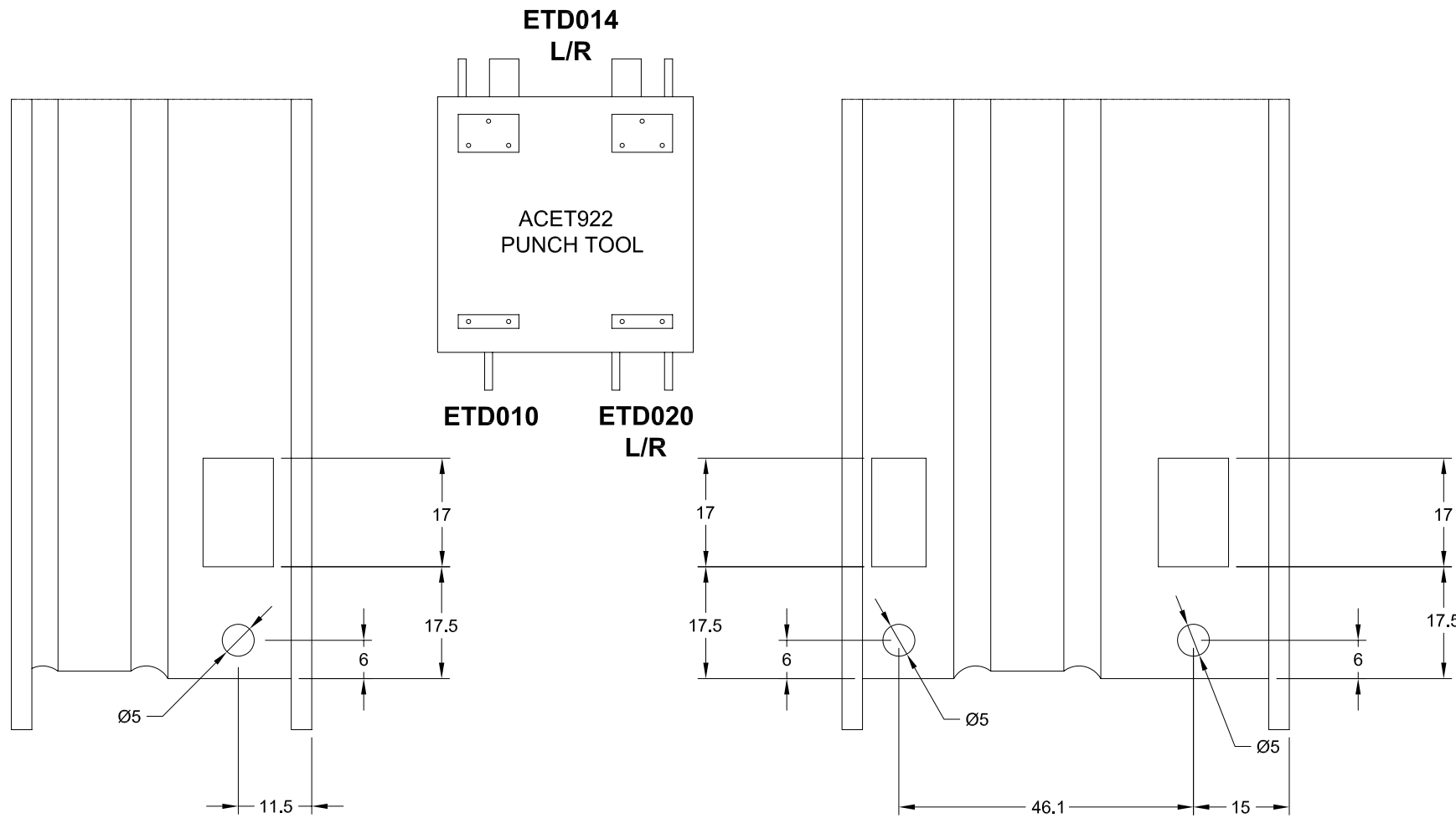
Profiles	Tooling / Components
 <p>ETD010</p>	Corner Chevron - WCA106 Mechanical cleat - ACET057 Tooling - ACET922
 <p>ETD014</p>  <p>ETD018</p>	Corner Chevron - WCA106 Mechanical Cleat - ACET058 Mechanical Cleat - ACET059 Tooling - ACET922
 <p>ETD030</p>	Core Screw - PUA056ssz - ETD030 Drill Jig - ACET923

Profiles	Tooling / Components
 <p>ETD031</p>  <p>ETD032</p>	Core Screw - ACET079 - ETD031 Drill Jig - ACET916
 <p>ETD020</p>	Corner Chevron - ACET045 Corner Chevron - ACET055 Mechanical Cleat - ACET056 Tooling - ACET922

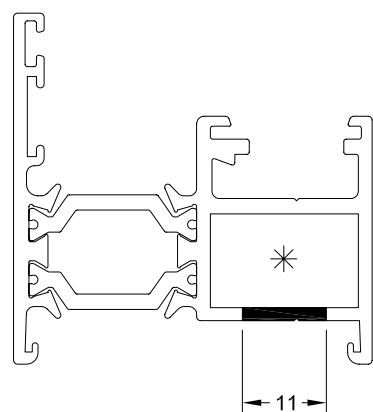
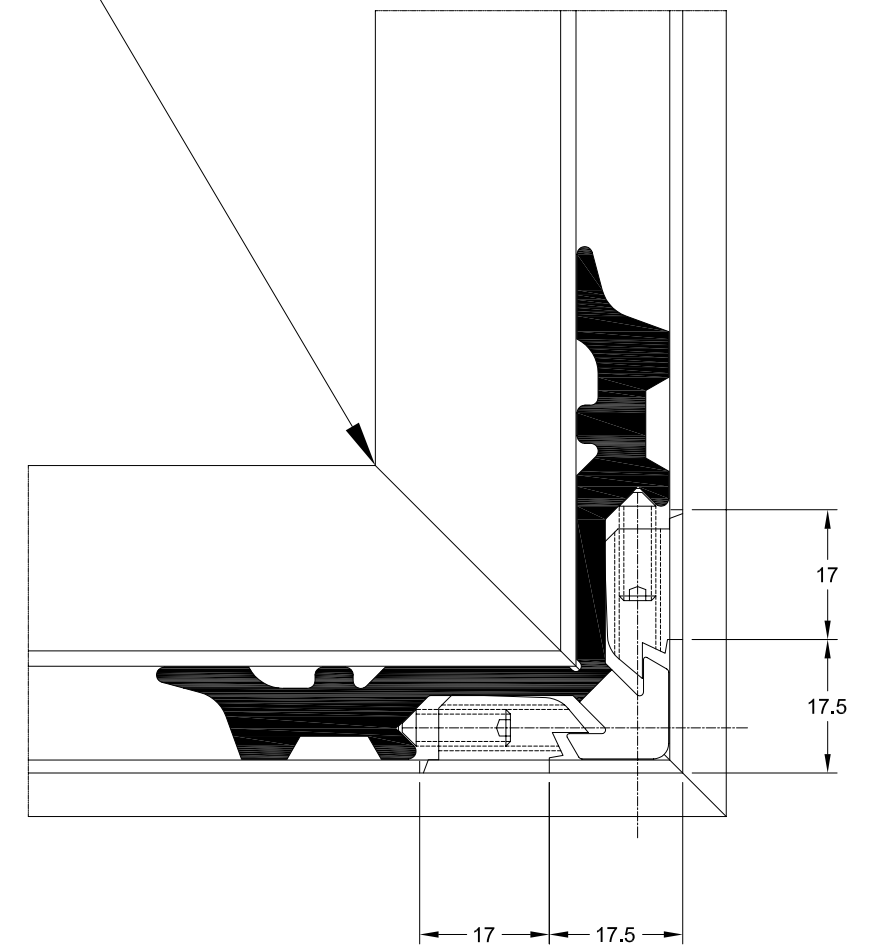
1b

Open In - Corner Cleat

1b

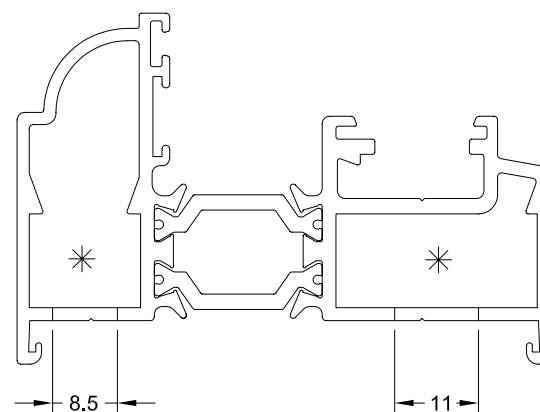


APPLY SILICONE (ACSIL04) TO EDGE OF PROFILE.



ETD010

CORNER CLEAT-ACET057



ETD014

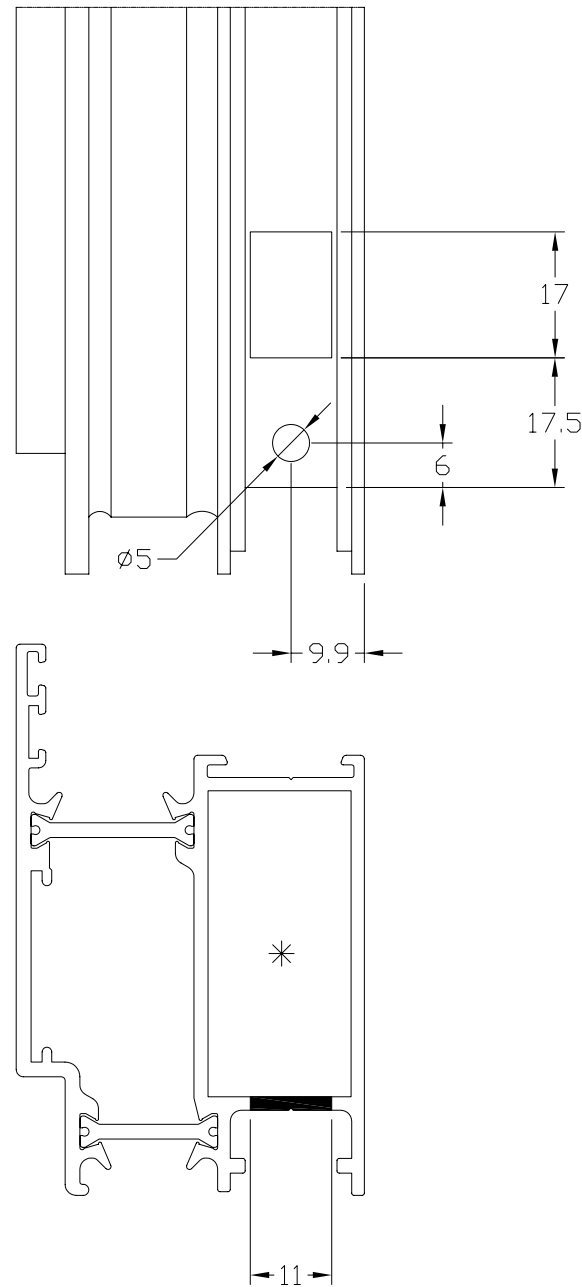
CORNER CLEAT-ACET058 & 059

APPLY GLUE (ACSIL013) TO CLEAT APERTURE MARKED *

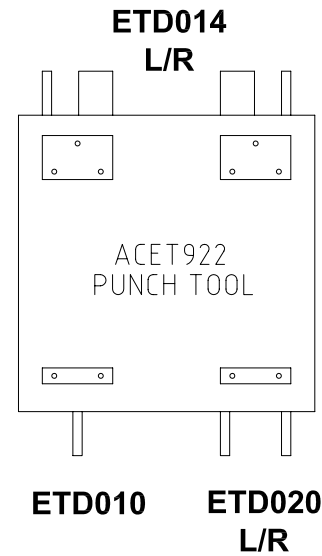
1c

Open In - Corner Cleat

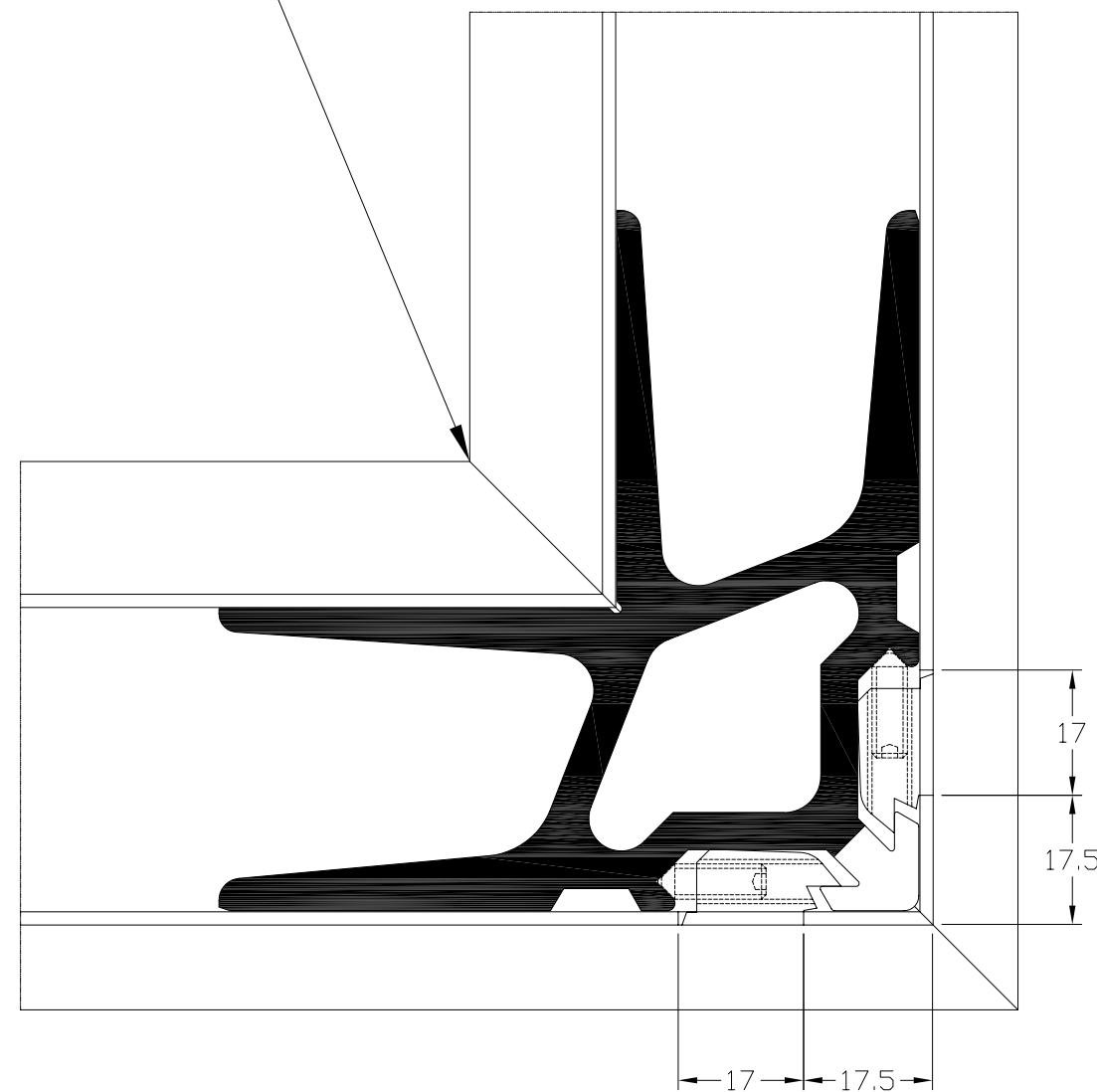
1c



ETD020
Corner Cleat - ACET056



Apply Silicone (ACSIL04) to Edge of Profile

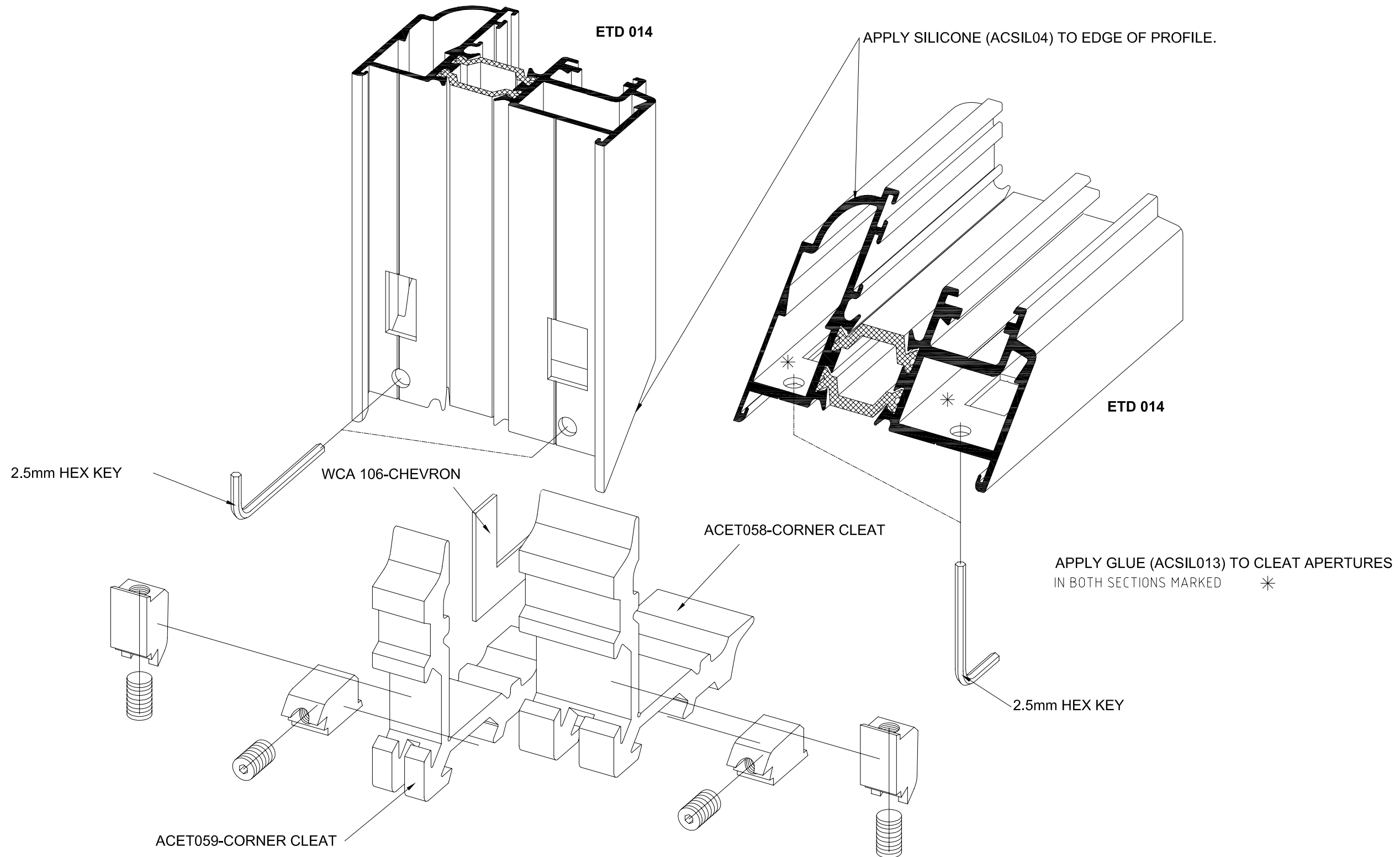


Apply Glue (ACSIL013) to Cleat Aperture Marked *

1d

Open In - Corner Cleat

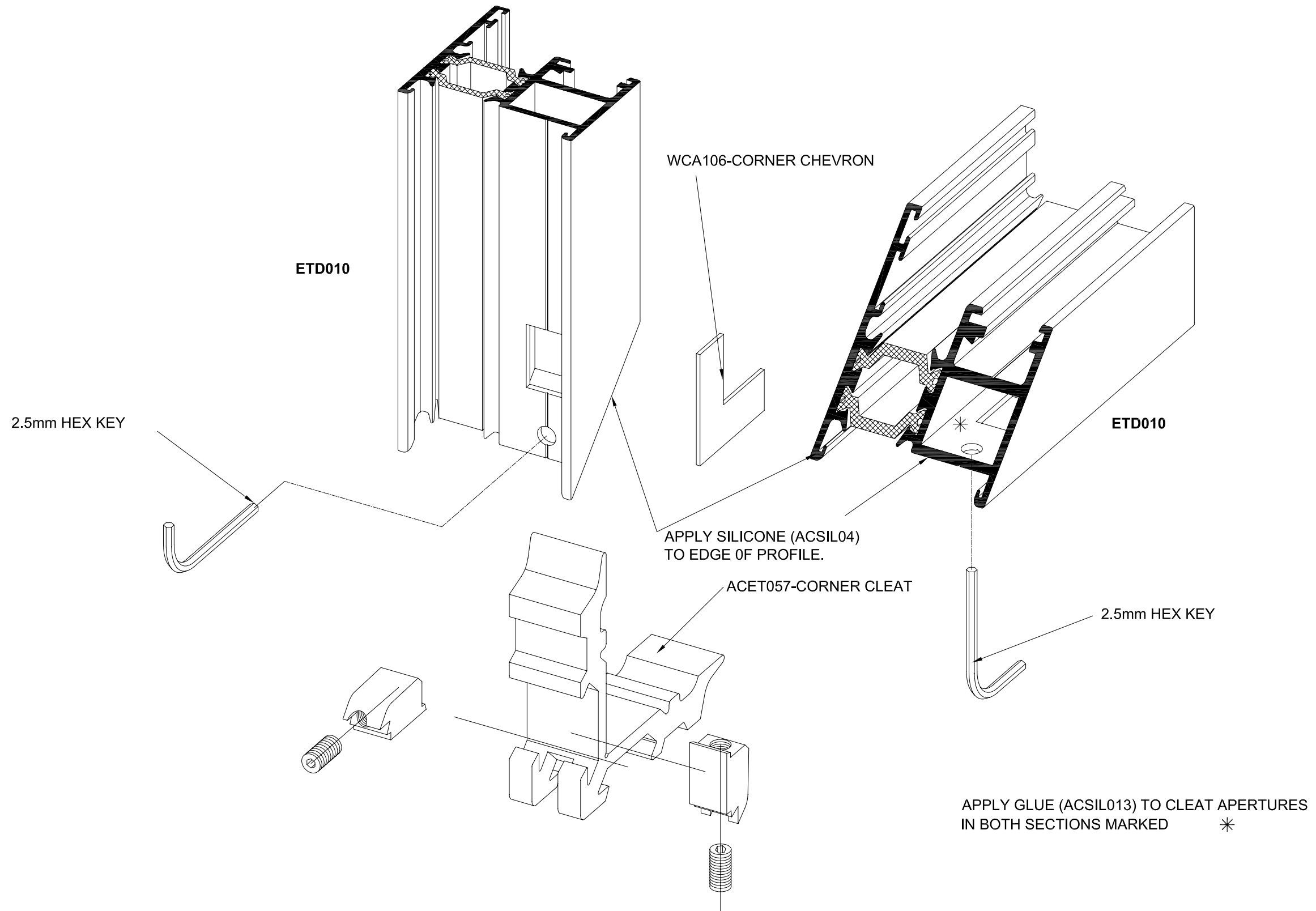
1d



1e

Open In - Montage Square Coupling Joint

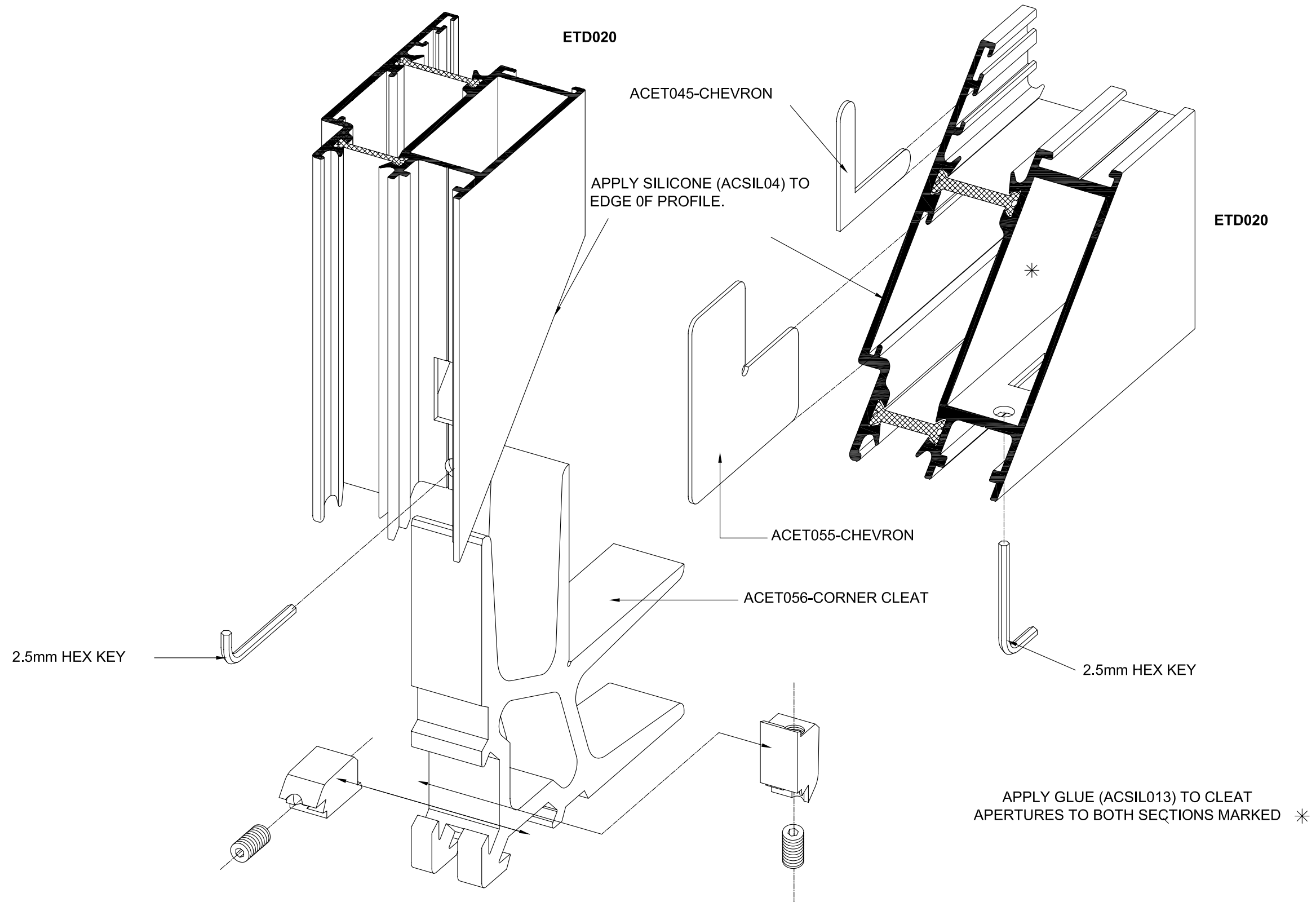
1e



1f

Open In - Montage Square Coupling Joint

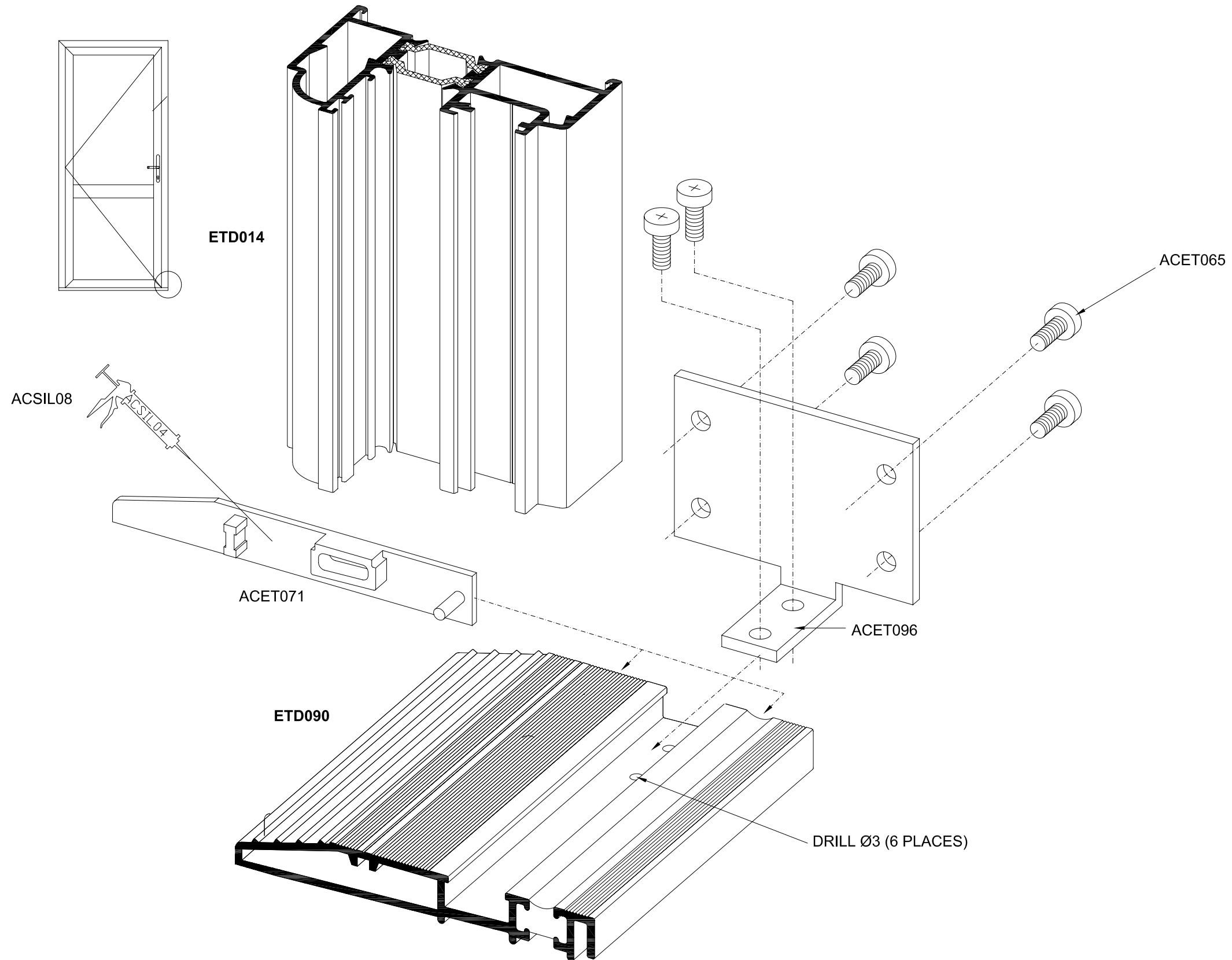
1f



1g

Open In - Low threshold Corner Joint

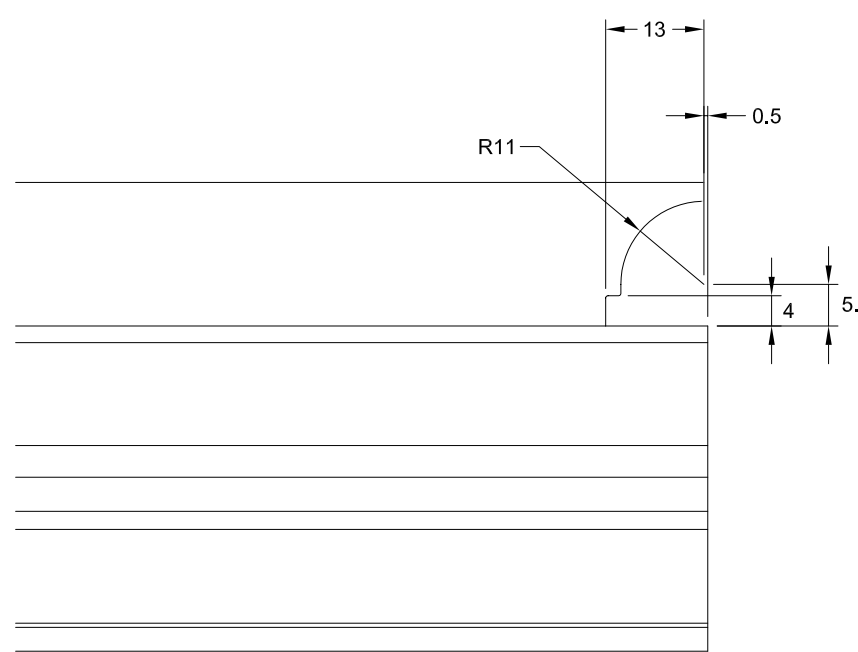
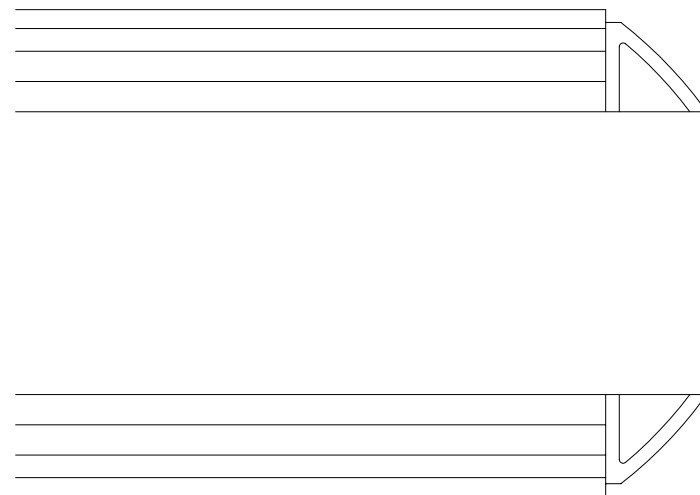
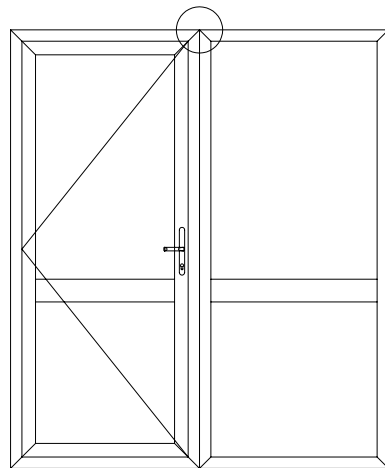
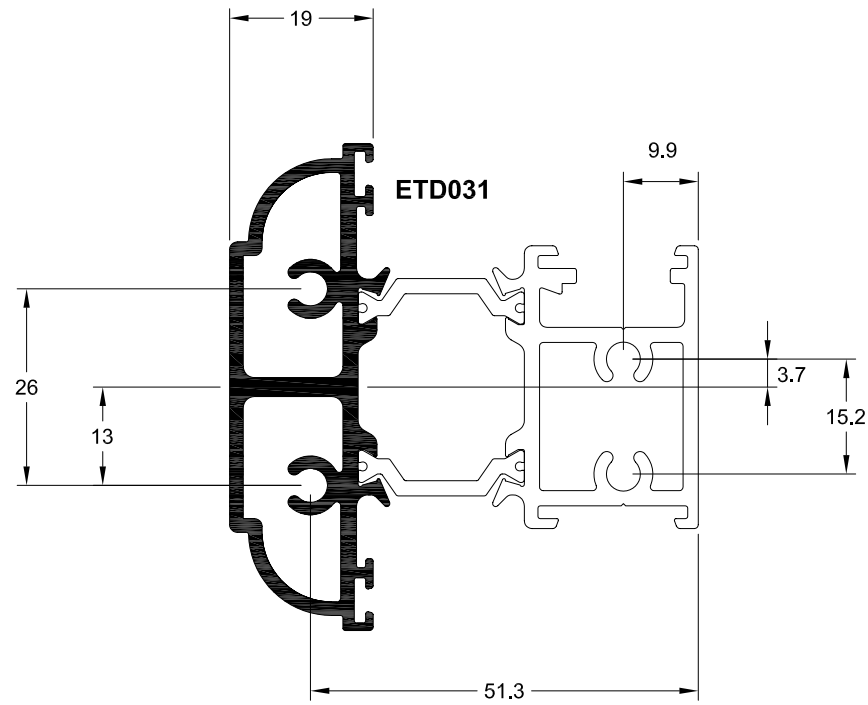
1g



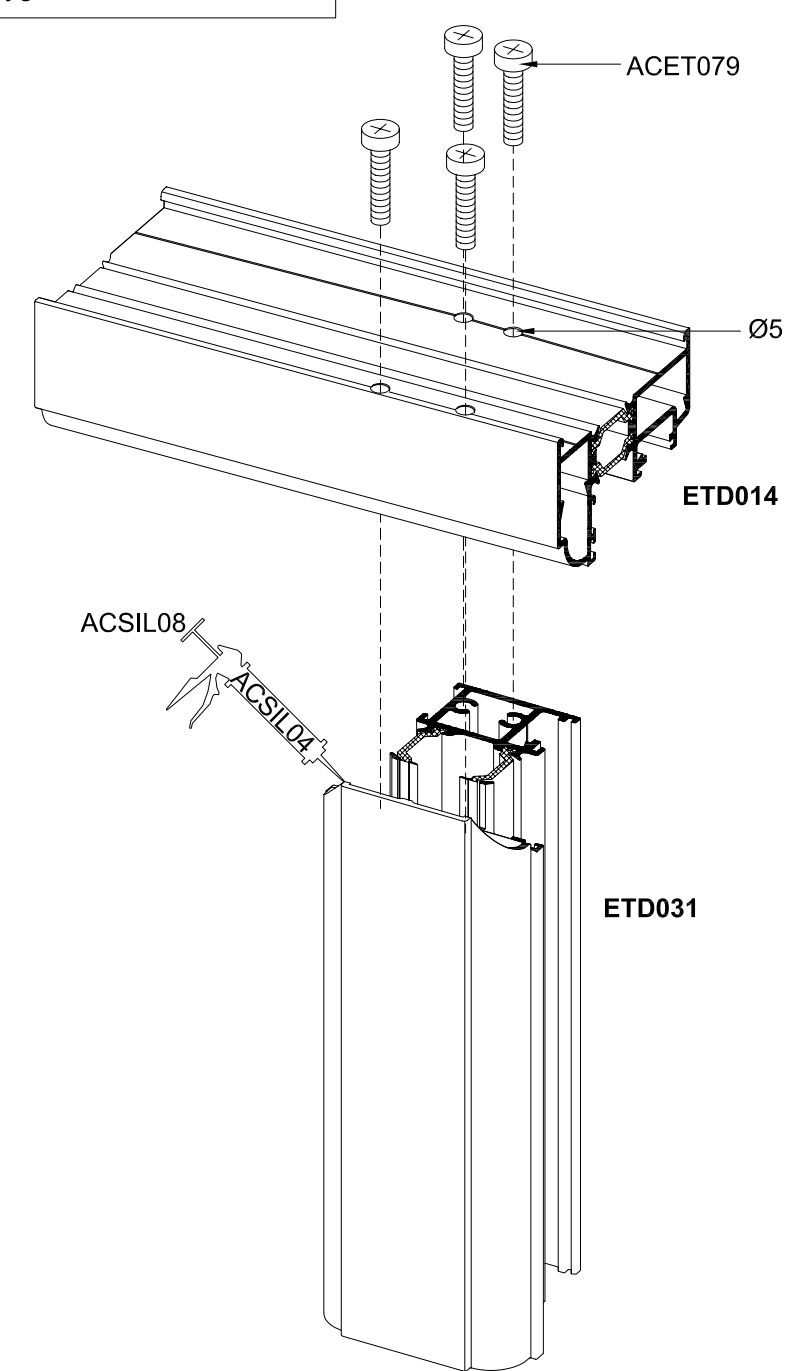
2a

Open In - Integral Mullion - 70mm Ovalo Outerframe

2a



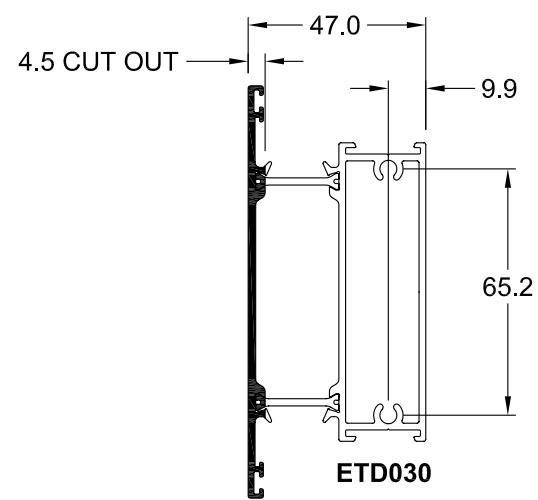
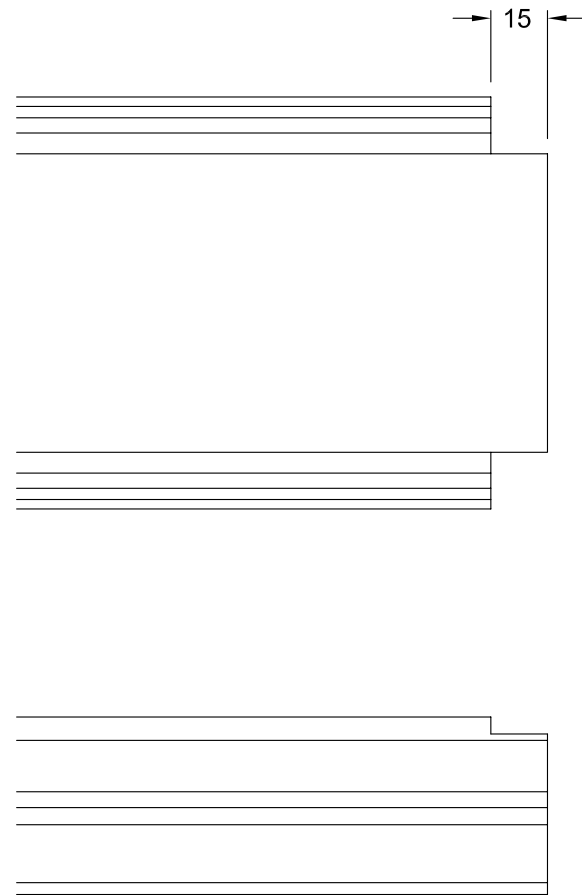
To ensure accuracy use recommended drill jig-ACET916



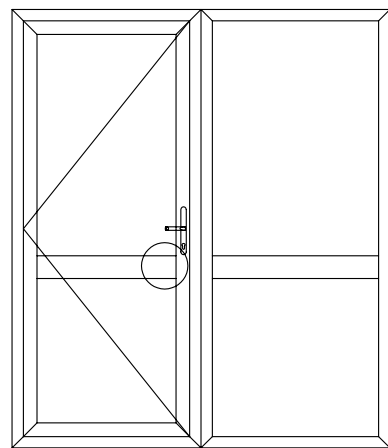
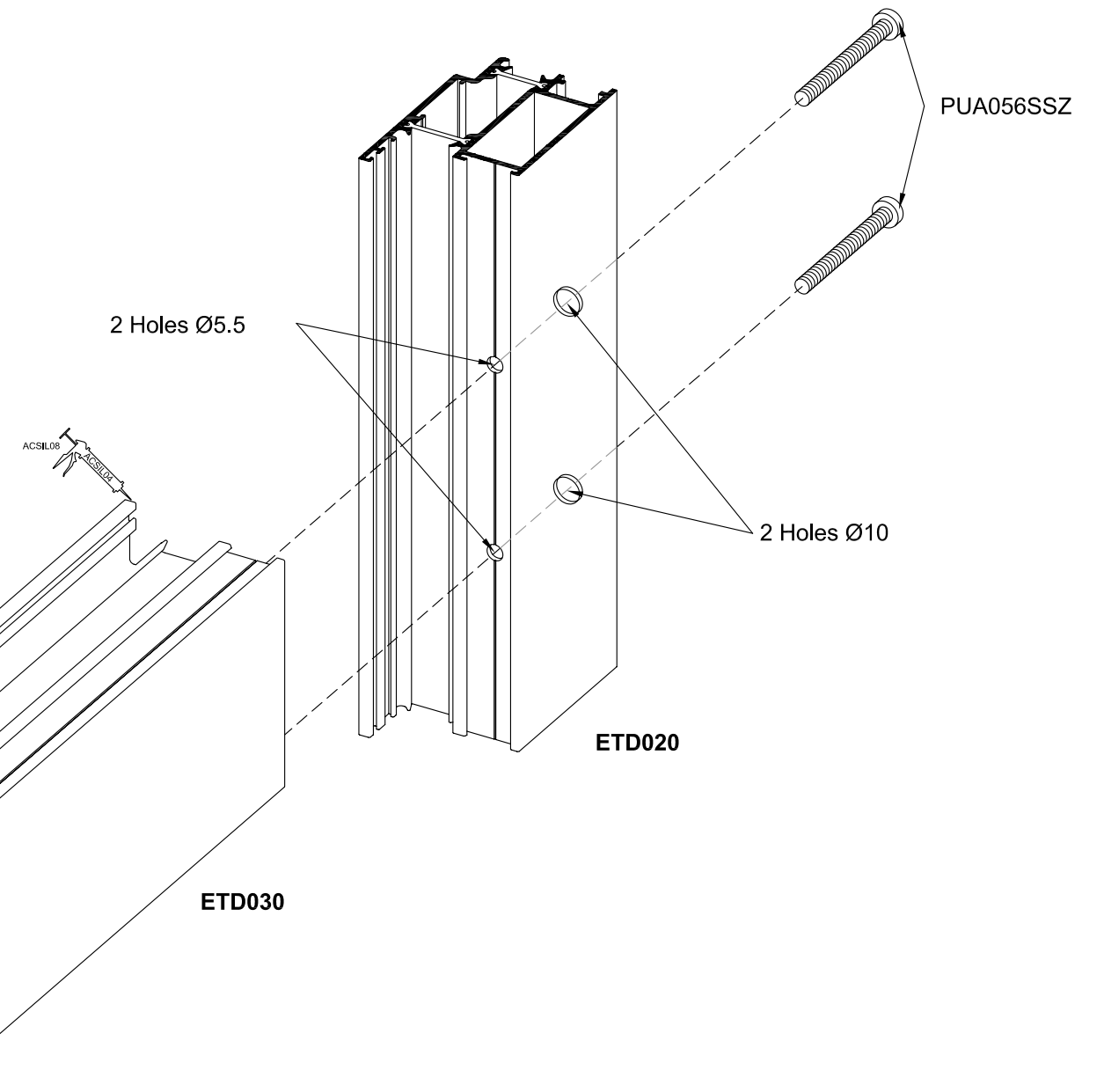
2b

Open In - Middle / Deep Rail Leaf Stile

2b



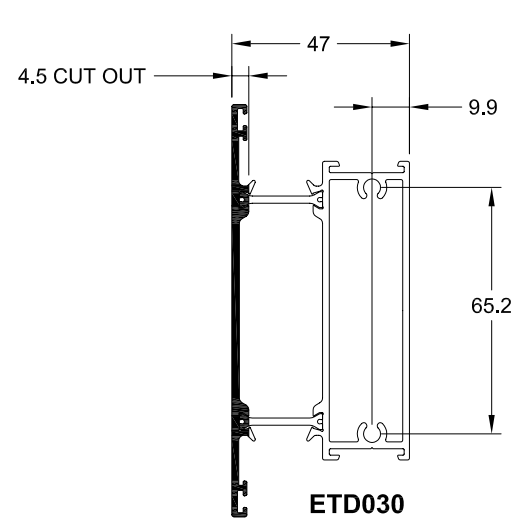
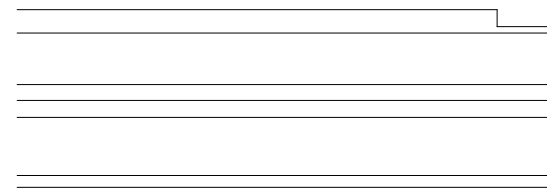
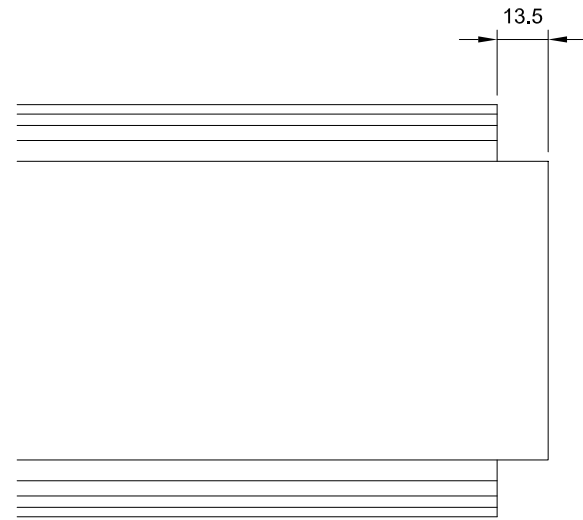
To Ensure Accuracy
Use recommended
Drill Jig - ACET923



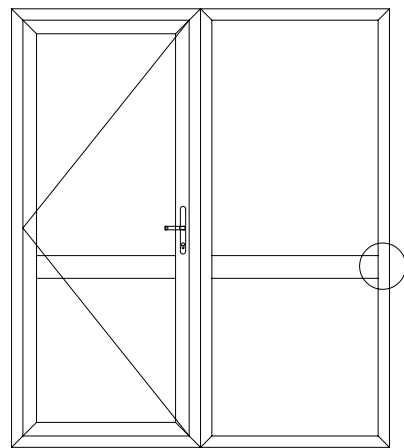
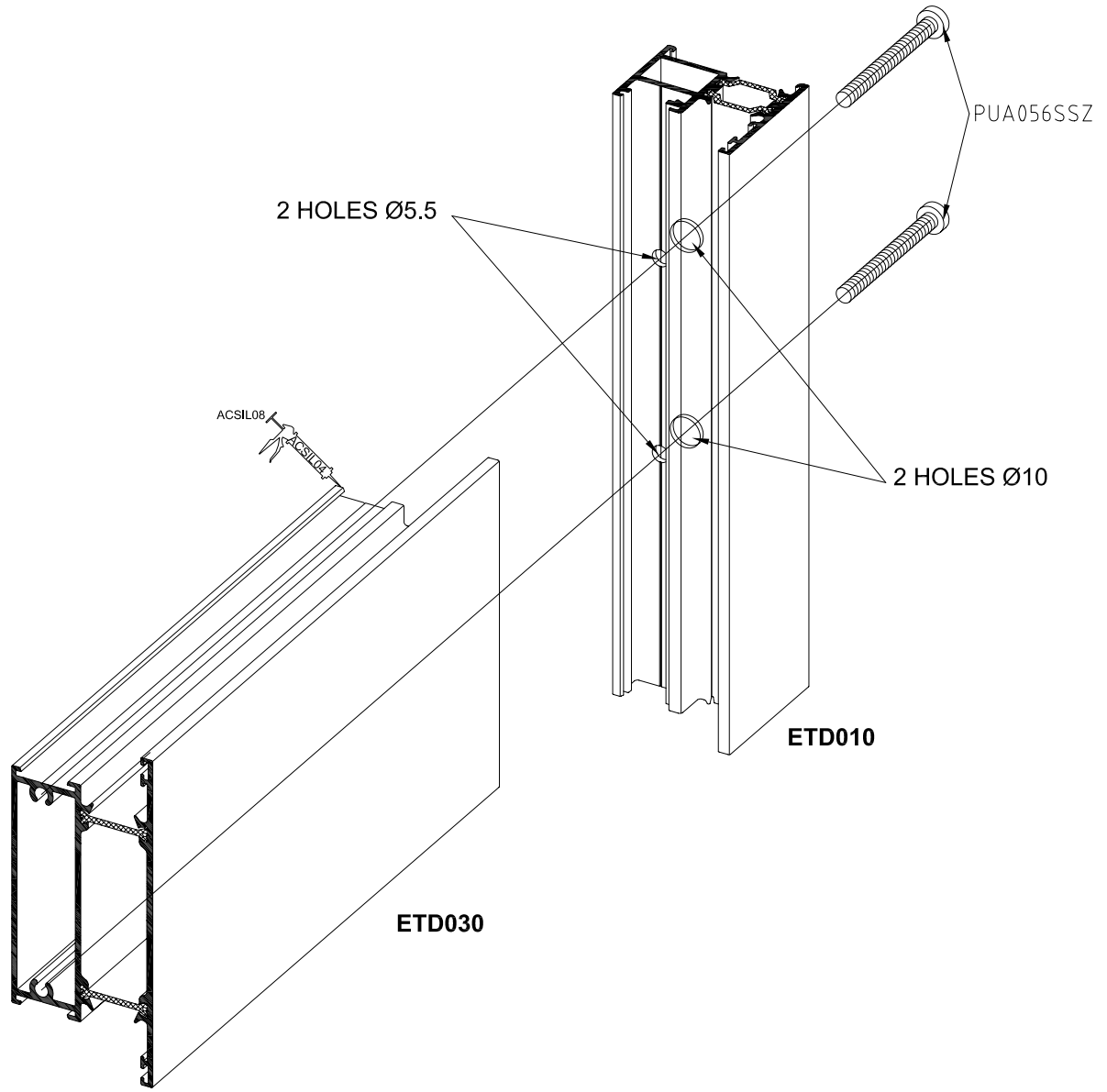
2c

Open In - Middle / Deep Rail 47mm Outerframe

2c



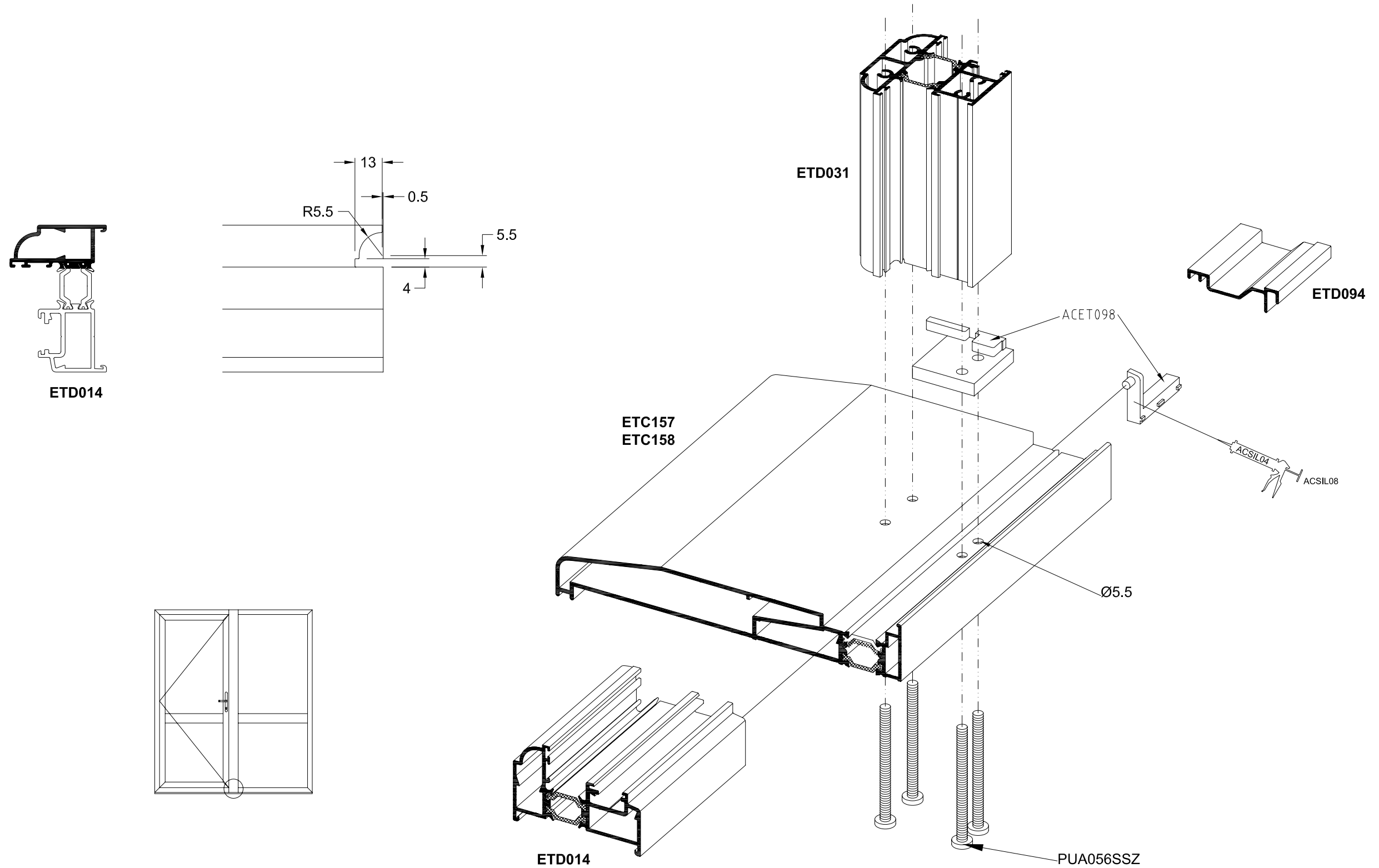
To Ensure Accuracy
Use recommended
Drill Jig - ACET916



2d

Open In - Only with Integral Mullion

2d



ASSEMBLY INSTRUCTIONS

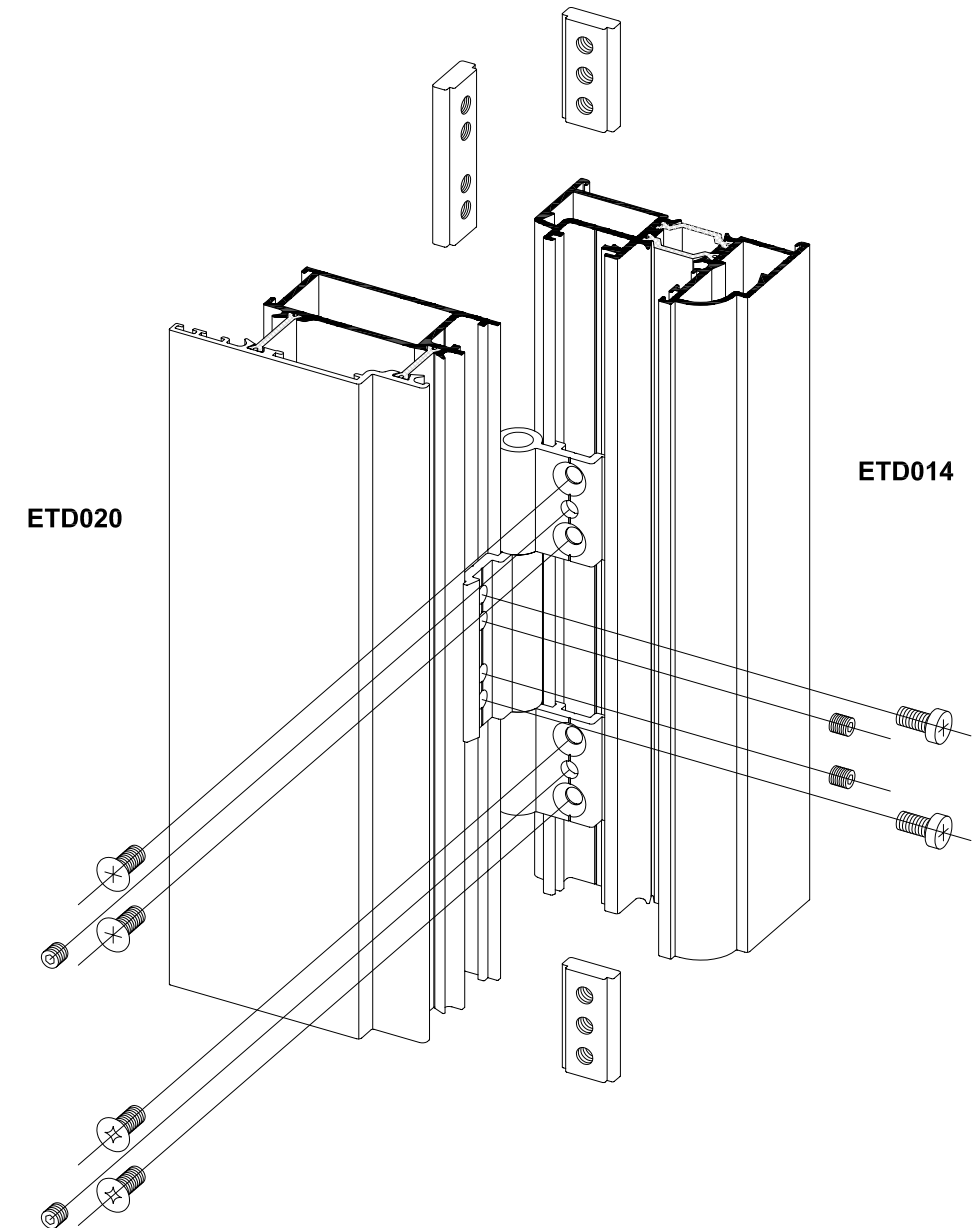
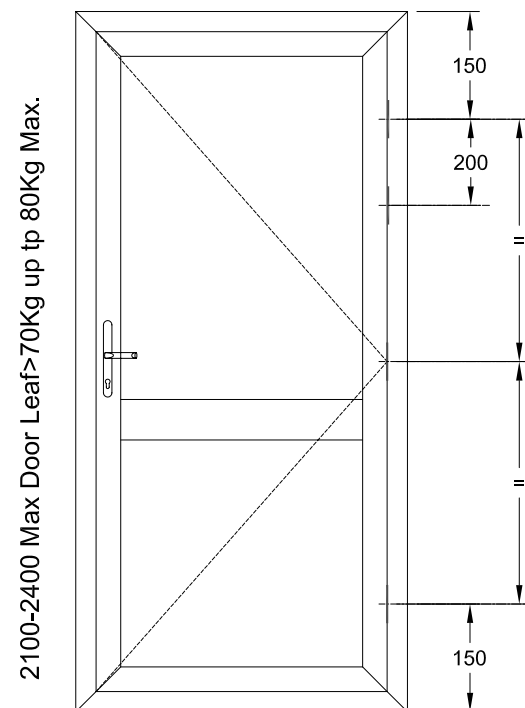
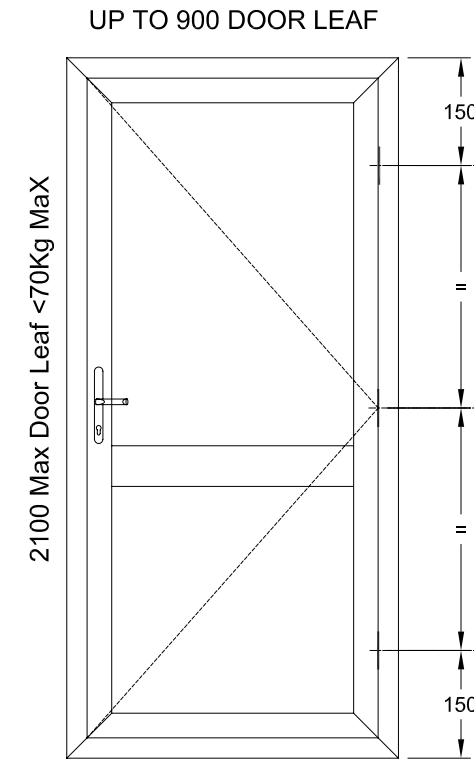
- 1-Fix 2no M5x10mm grub screws to sash frame clamp plate and slide into sash eurogroove to hinge position.
- 2-Locate hinge and clamp in position using 2no M5x10mm machine screws.
- 3-Fix sash to outer frame using clamp plates and fit M 5x15mm c/sk machine screws and adjust for correct operation.
- 4-If the sash requires adjustment after the door has been glazed this can be achieved by loosening the clamp plate machine screws, adjusting the sash height and tightening the clamp plates.

Notes:

1-Maximum Door Weight-Polyamid Profile
 Domestic Houses-70Kg based on 3no. hinges(1 top, 1-middle, 1 bottom). with 4no. hinges(2 top, 1 middle, 1 bottom) 10Kg can be added to the above weight limits.

2-Door Leaf Limits

Double door 1800 mm max.



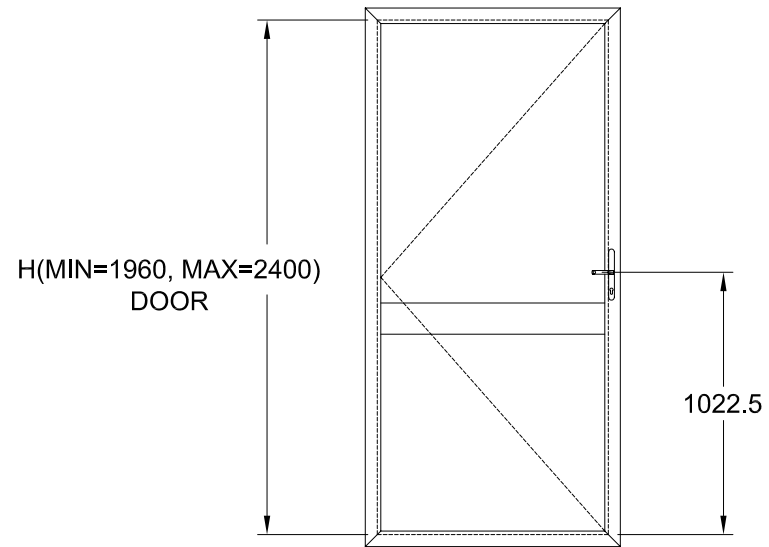
4a

Open In - Min / Max Door Height

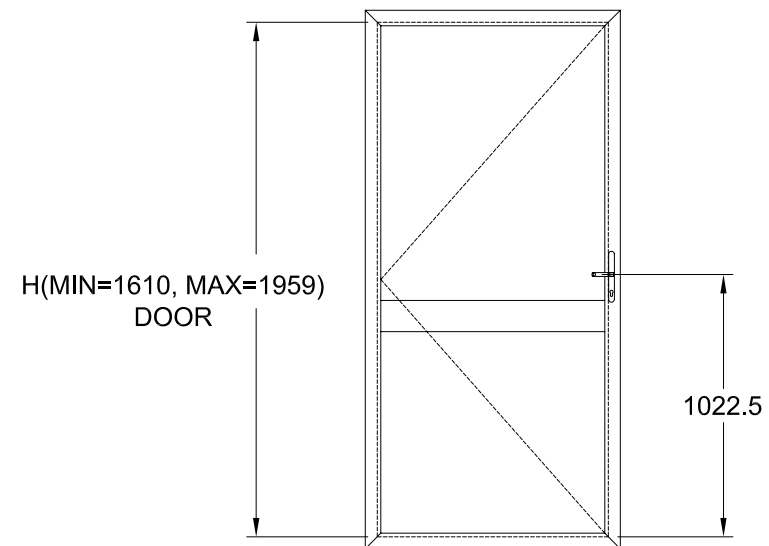
4a

SINGLE DOOR

NORMAL LOCK-ACET085 & ACET086

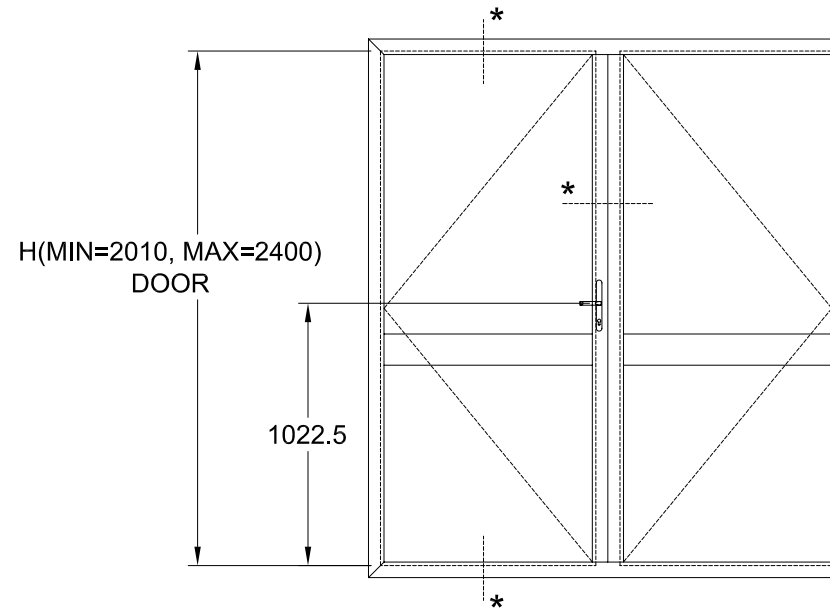


SMALL LOCK-ACET087 & ACET088

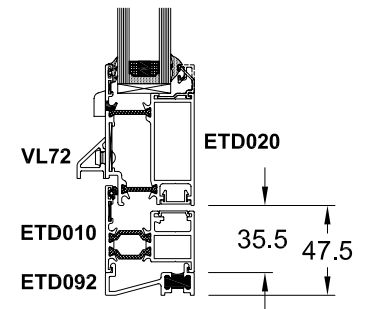
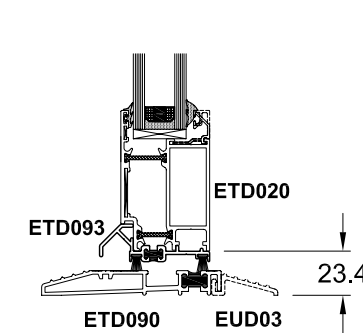
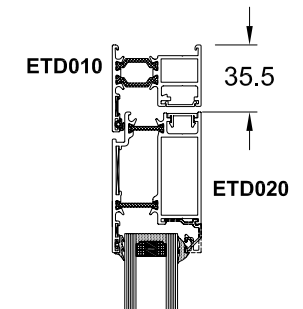
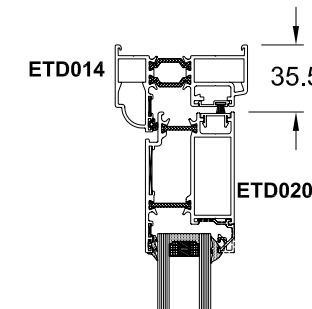
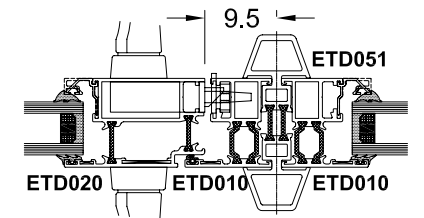
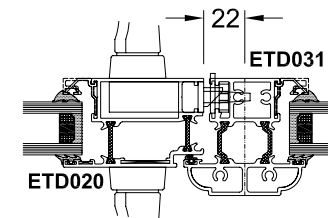
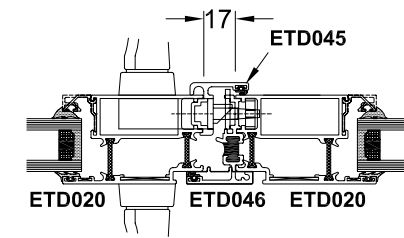
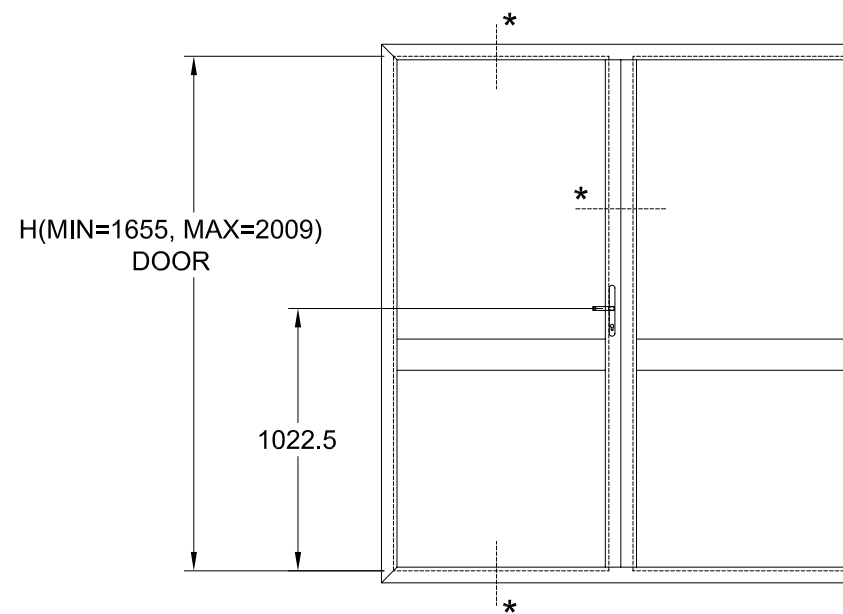


DOUBLE DOOR

NORMAL LOCK-ACET140 & ACET141



SMALL LOCK-ACET142 & ACET143

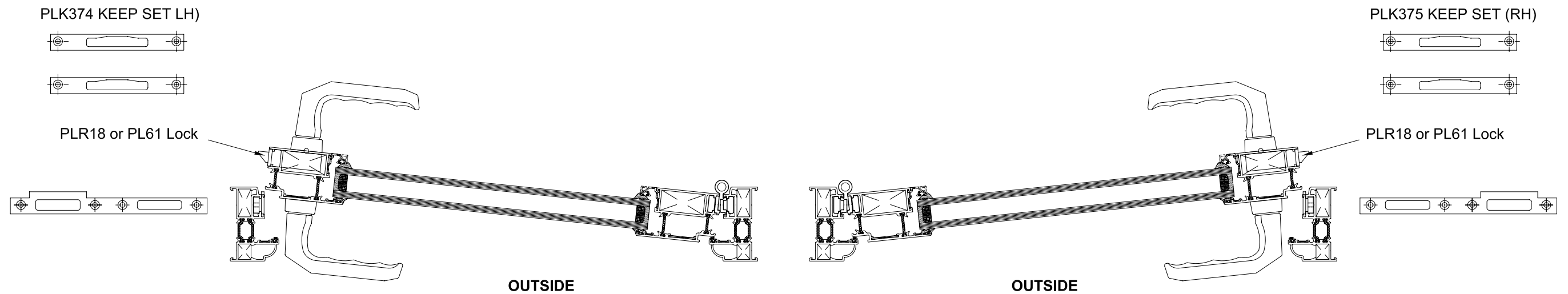
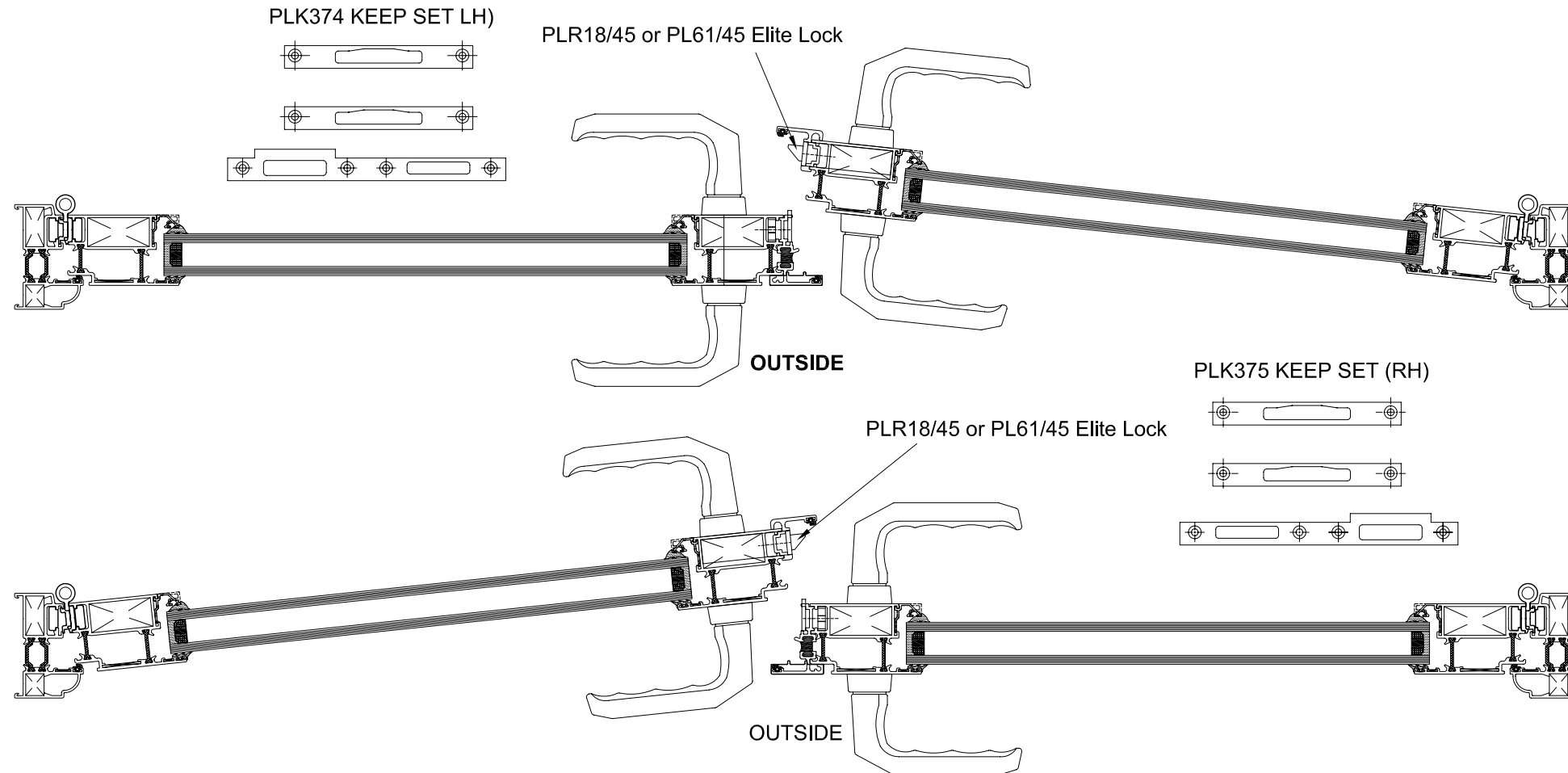


Additions *

4b

Open In - Configuration

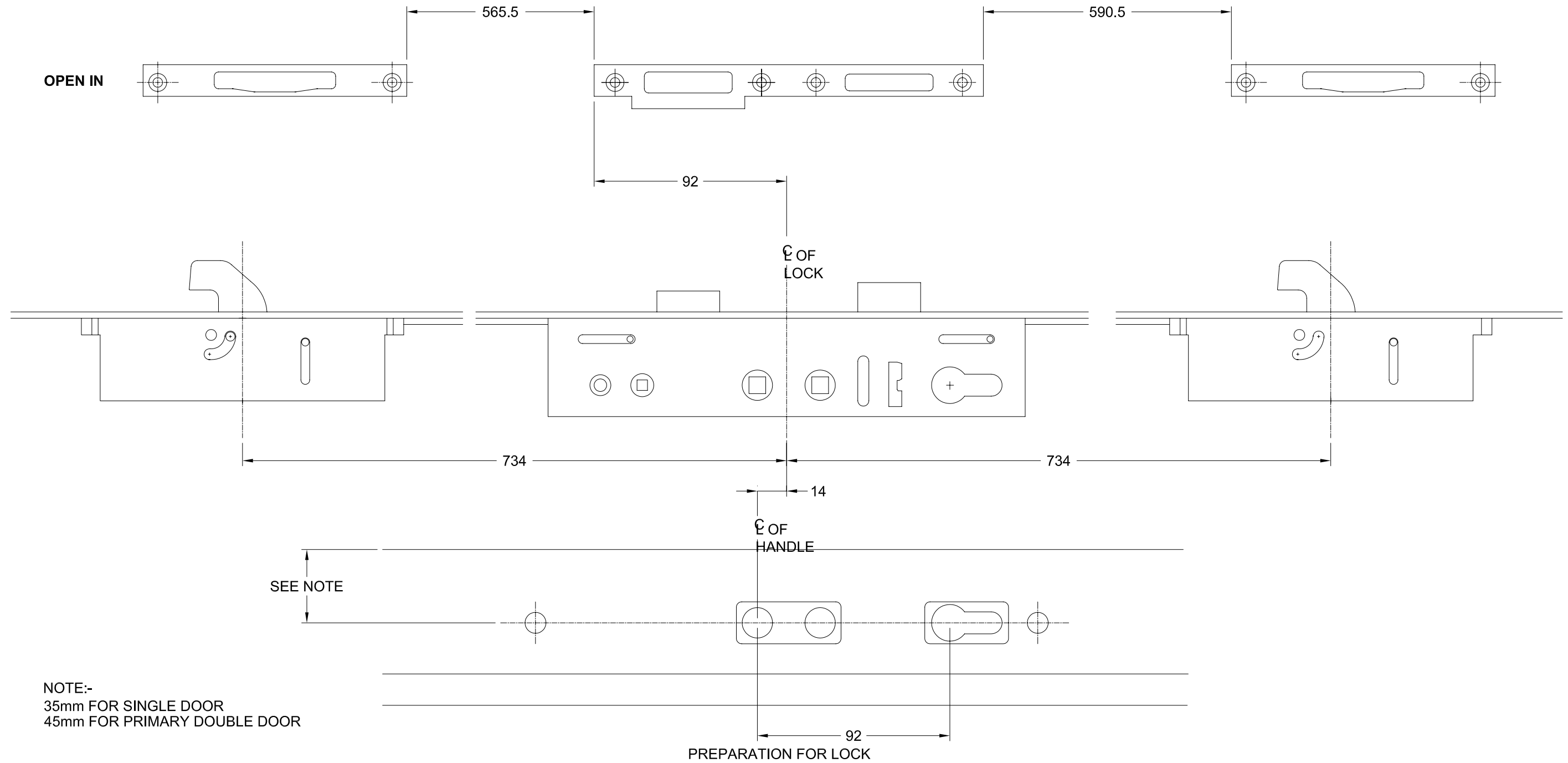
4b



4c

Open In - Normal Lock

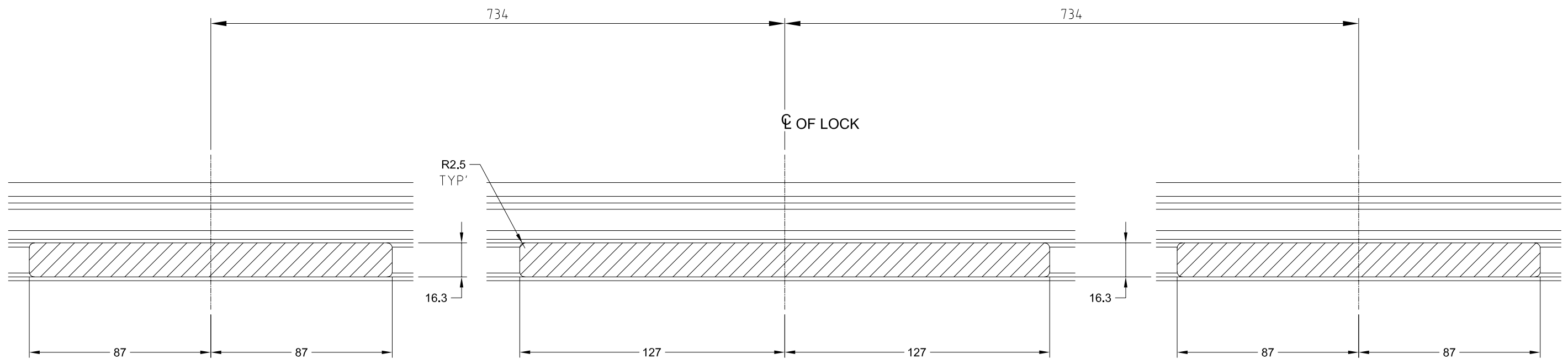
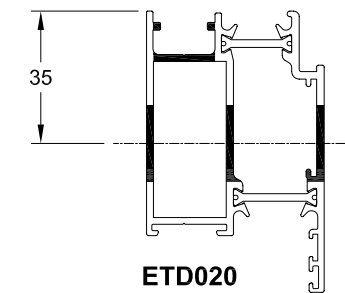
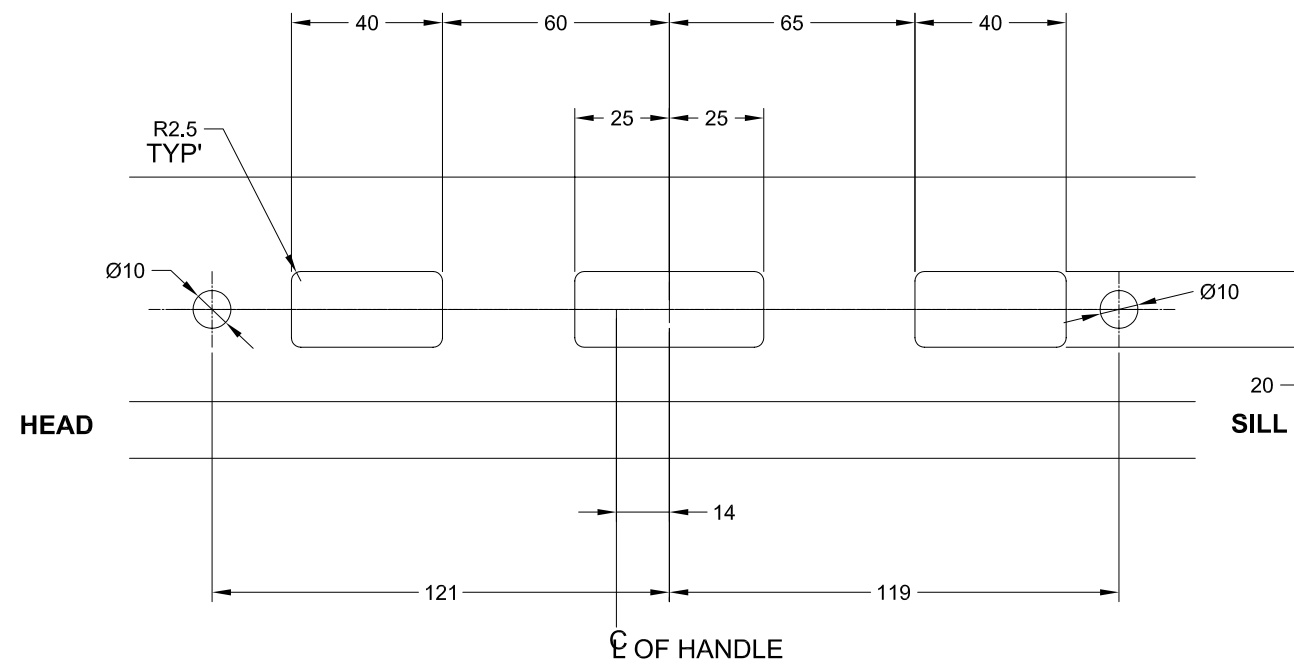
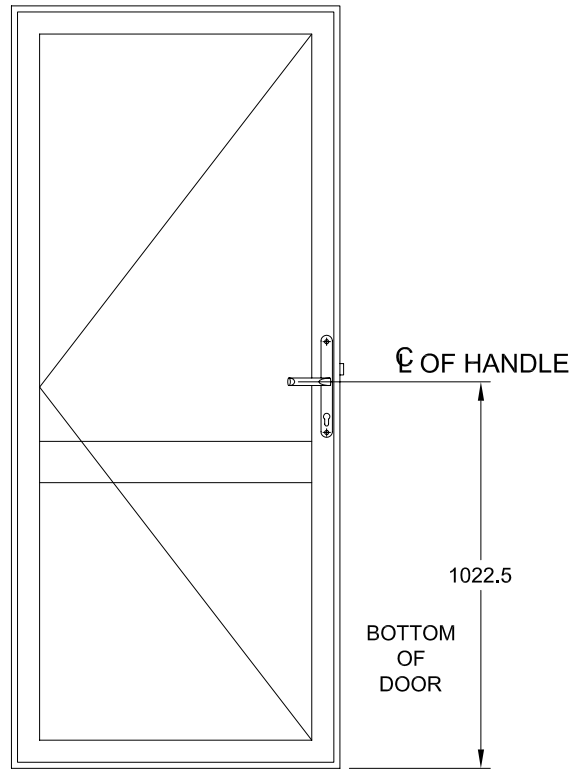
4c



4d

Open In - Single Door (Normal Lock) 35mm backset / Door Leaf Preparation

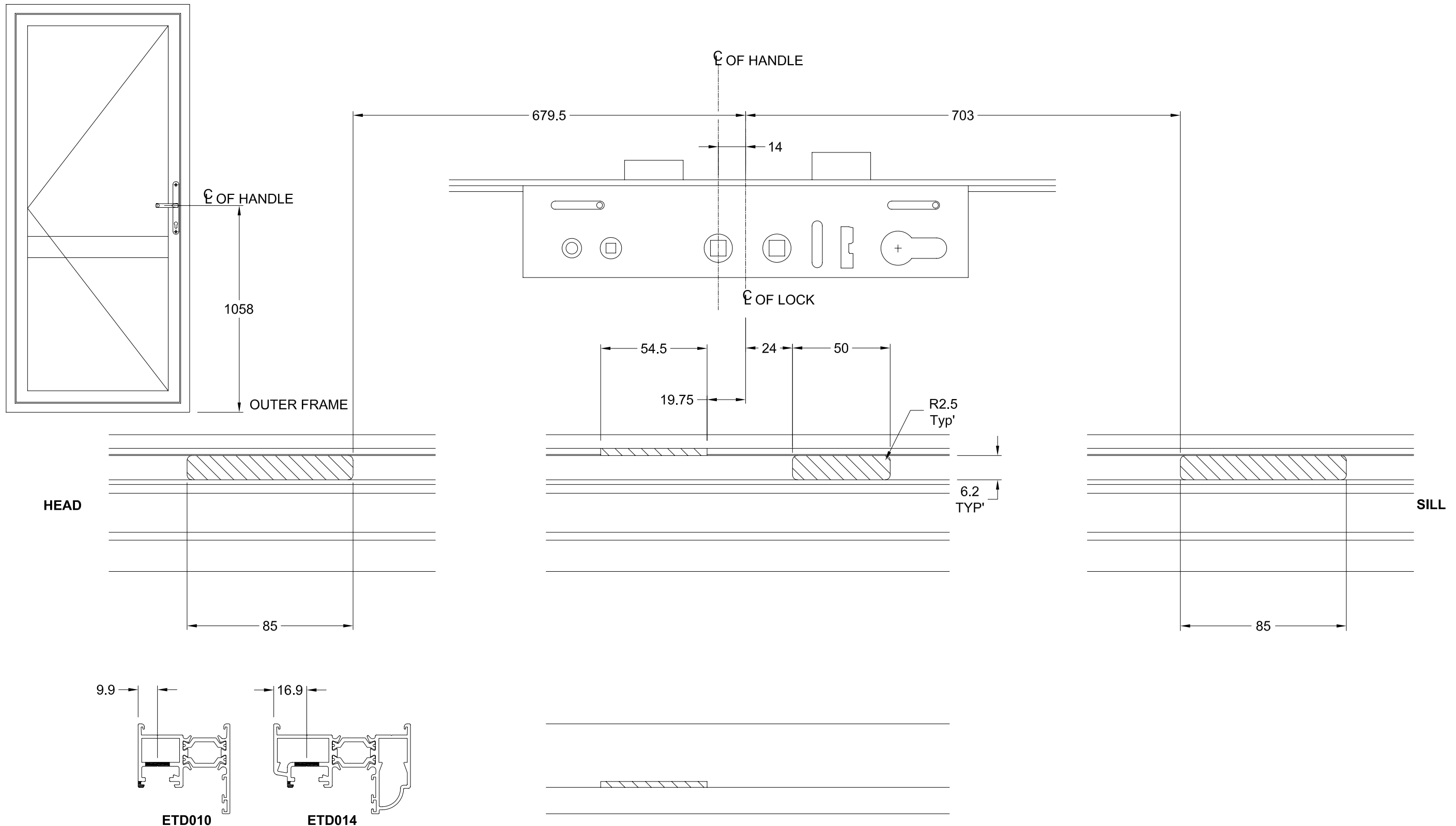
4d



4e

Open In - Single Door (Normal Lock) 35mm Backset / Outerframe Preparation

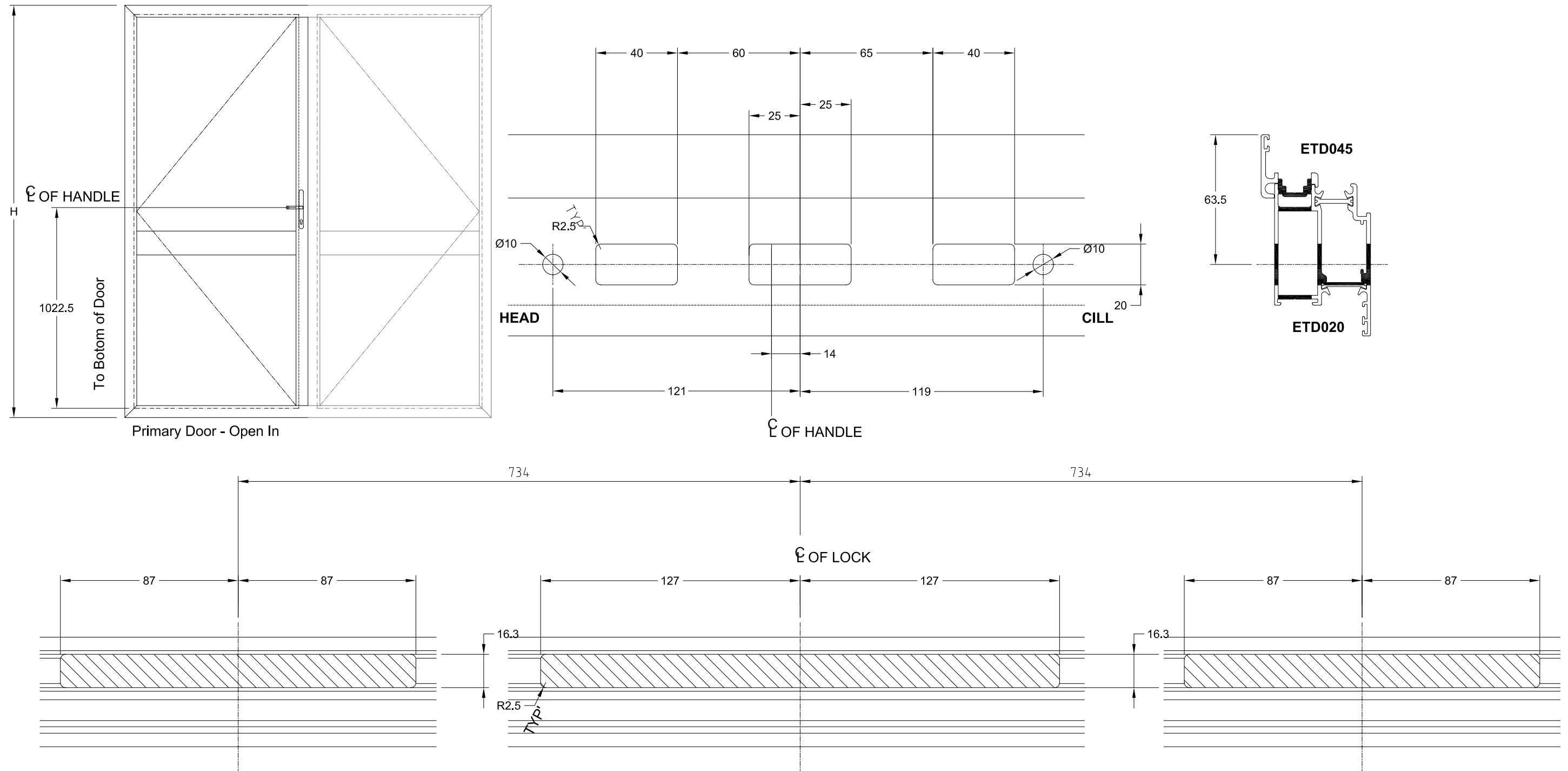
4e



4f

Open In - Double Door Primary (Normal Lock) 45mm Backset / Door Leaf Preparation

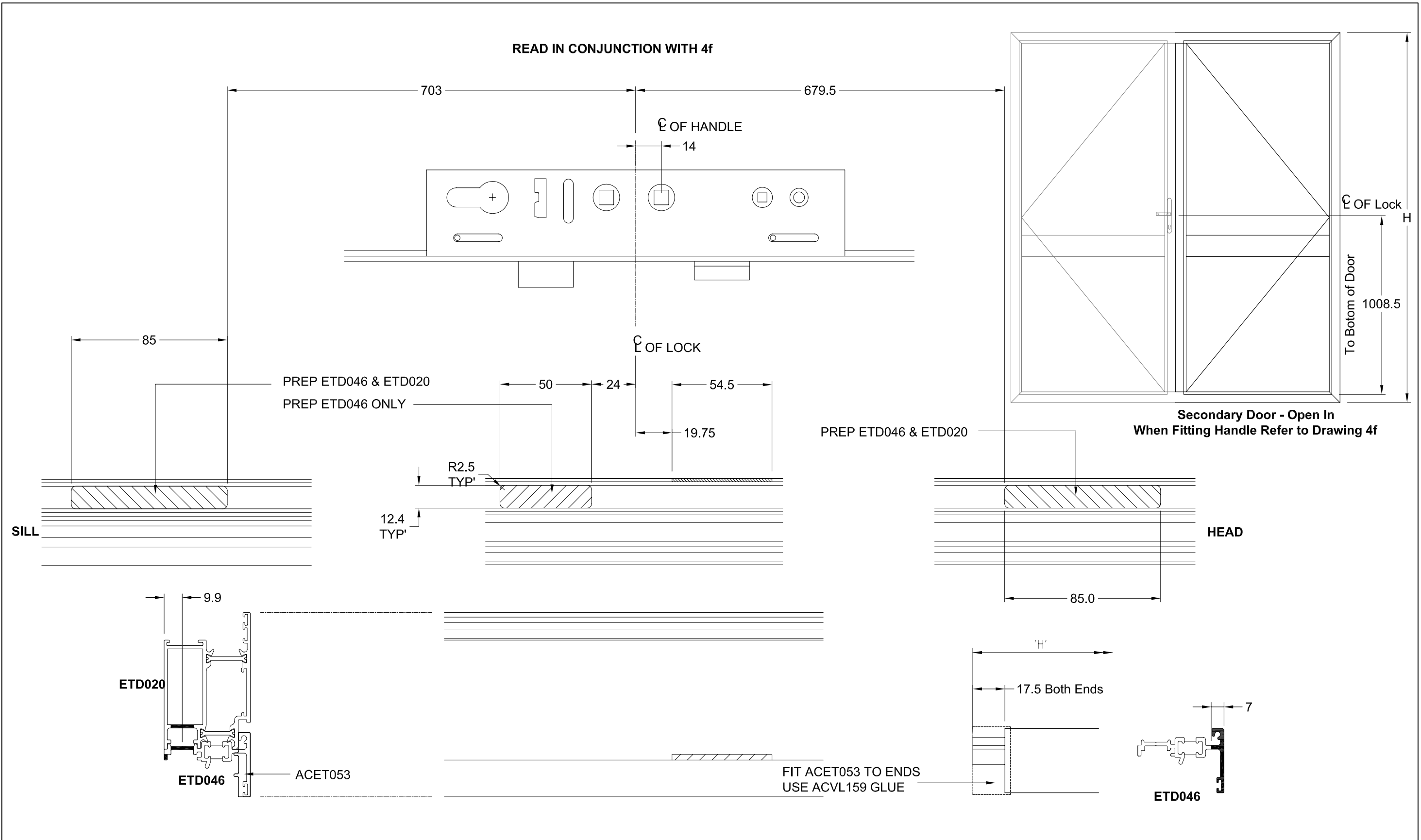
4f



4g

Open In - Double Door Secondary (Normal Lock) 45mm Backset / Door Leaf Preparation

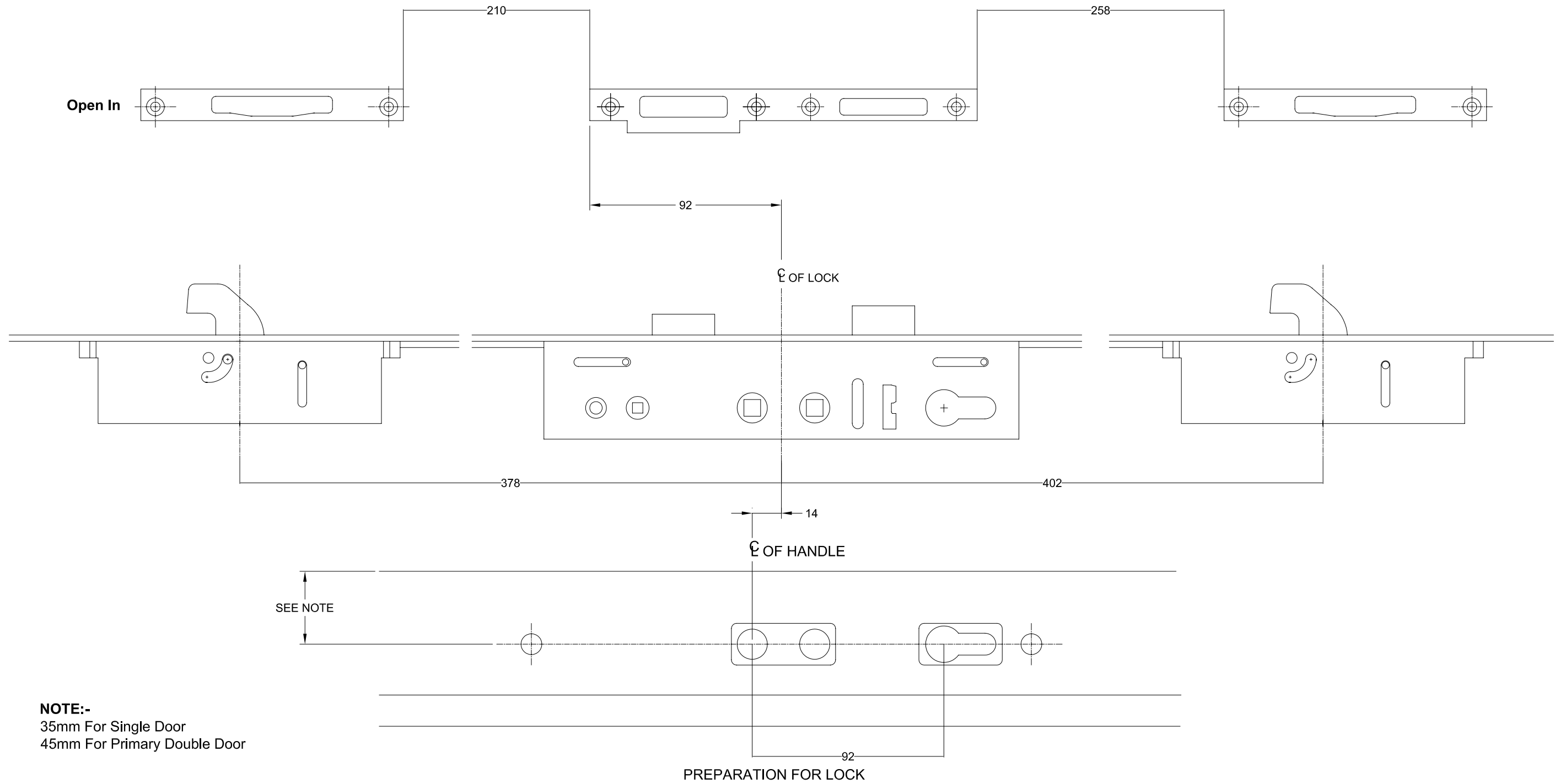
4g



4h

Open In - Short Lock

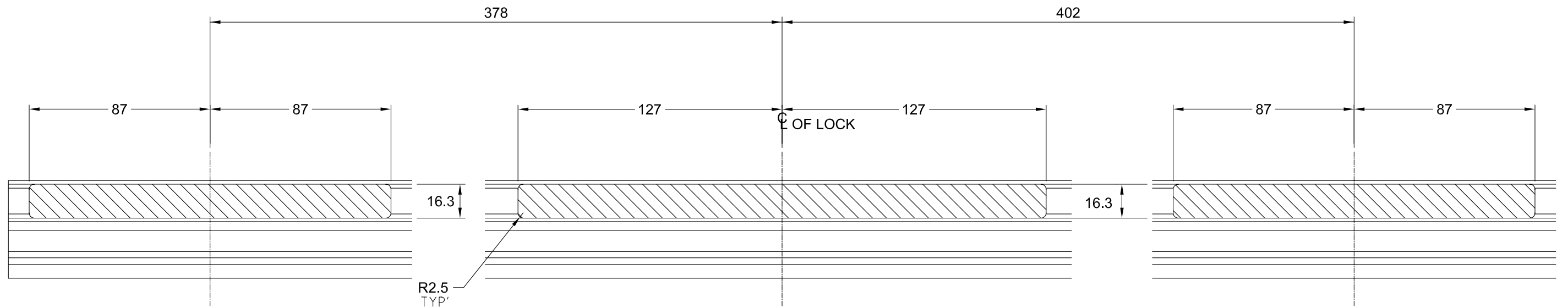
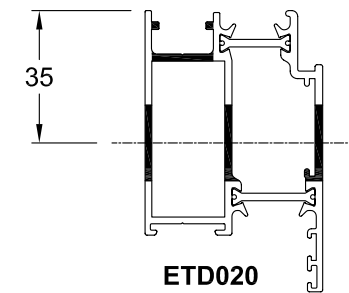
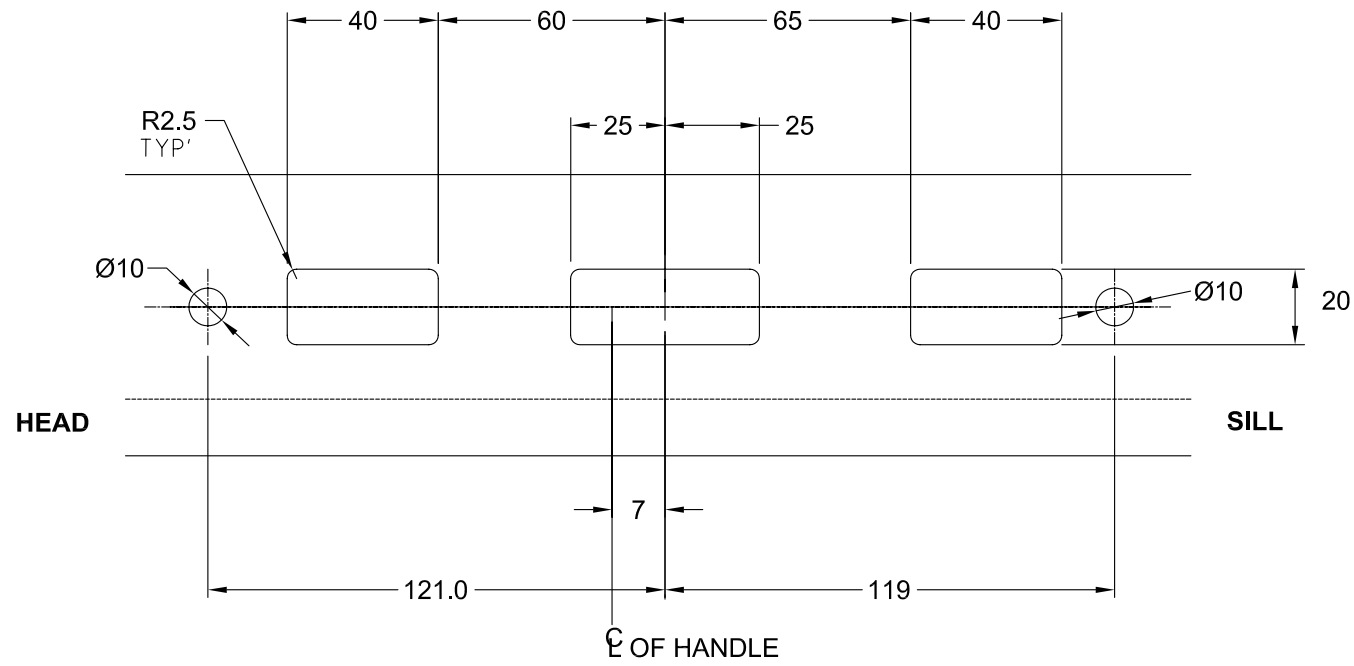
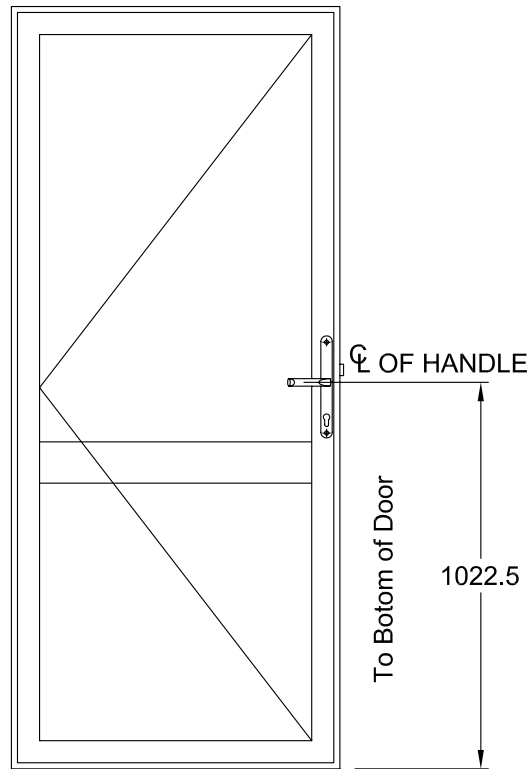
4h



4j

Open In - Single Door (Short Lock) 35mm Backset Door Leaf Preparation

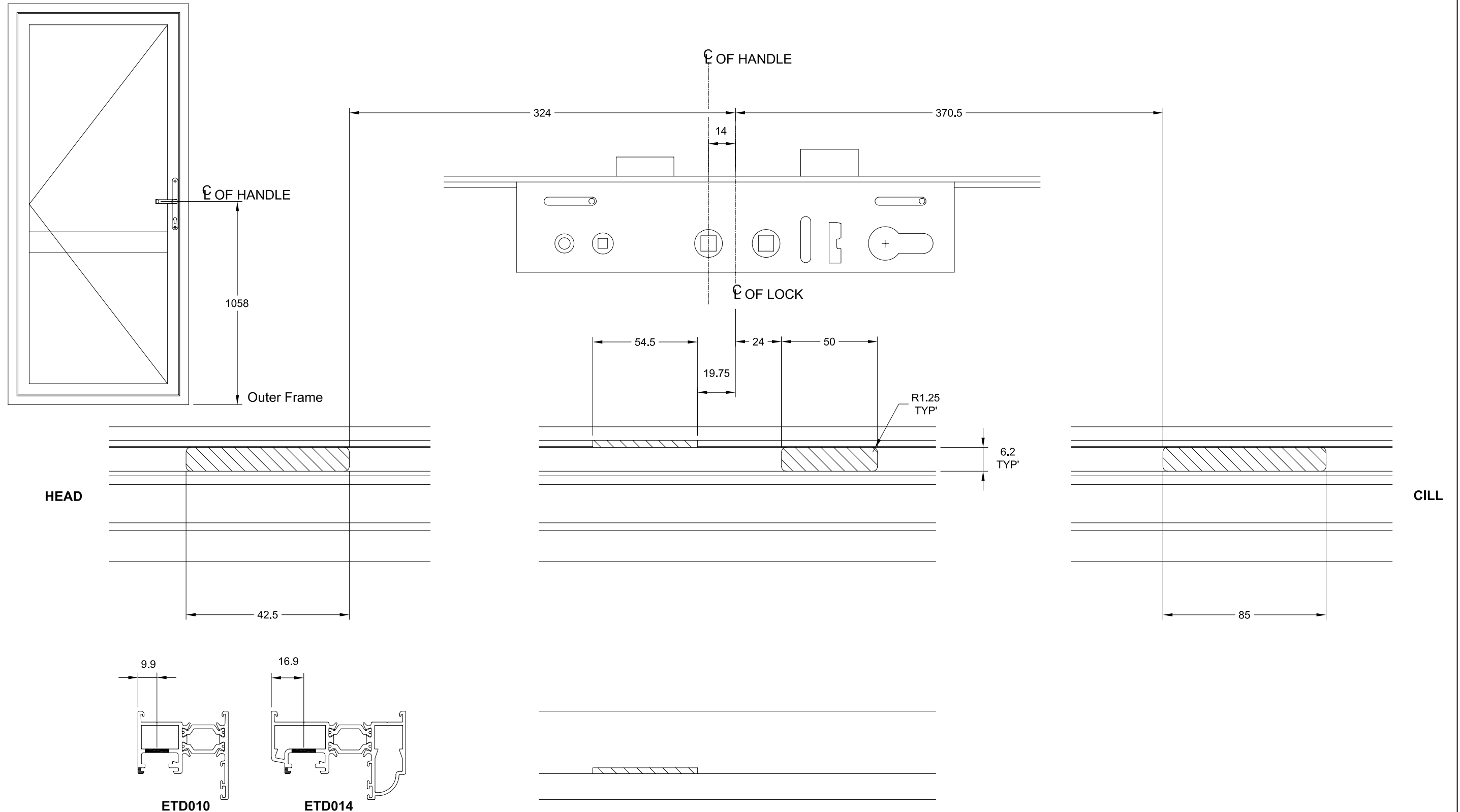
4j



4k

Open In - Single Door (Short Lock) 35mm Backset Outerframe Preparation

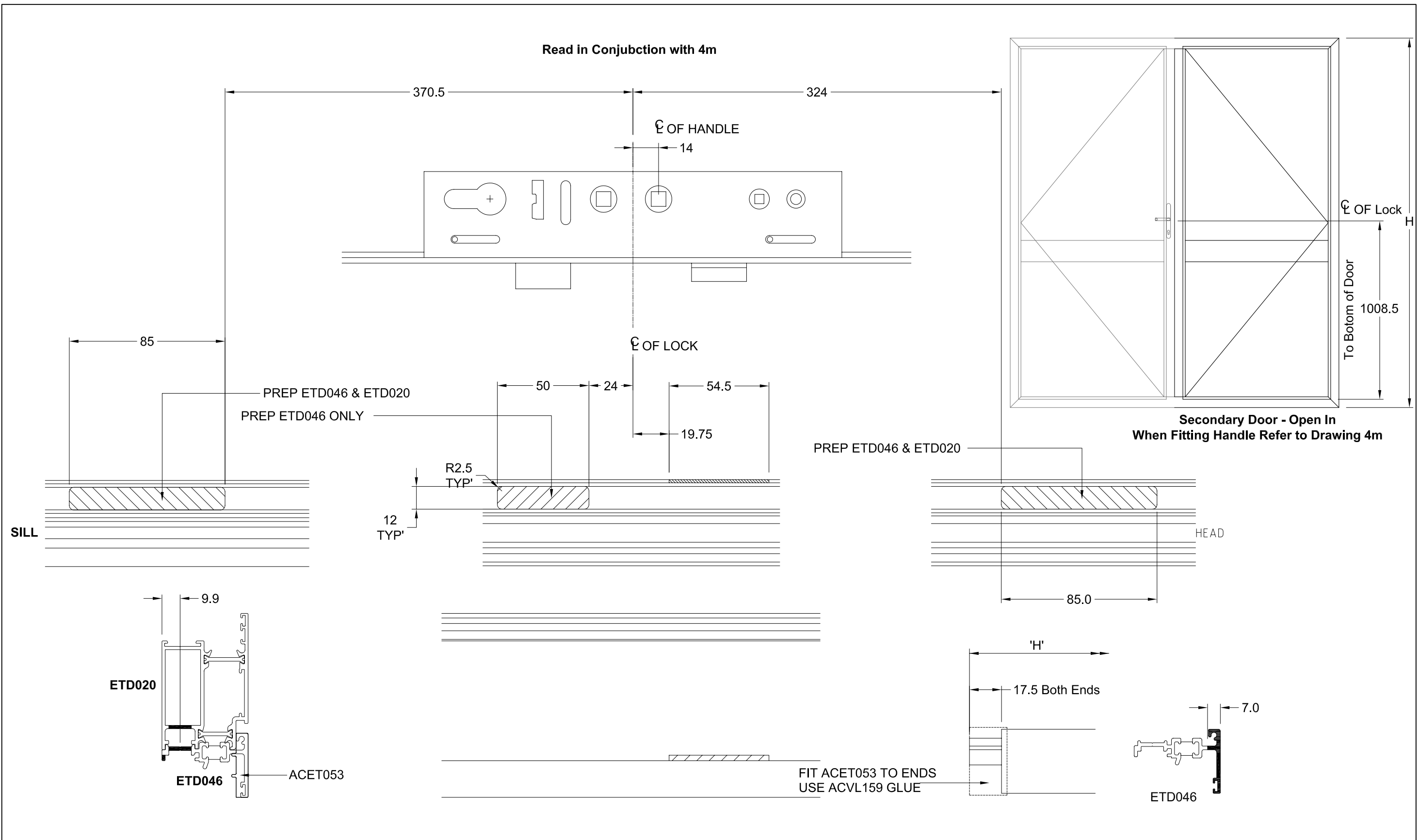
4k



4L

Open In - Double Door Secondary (Short Lock) 45mm BAcKset / Door Leaf Preparation

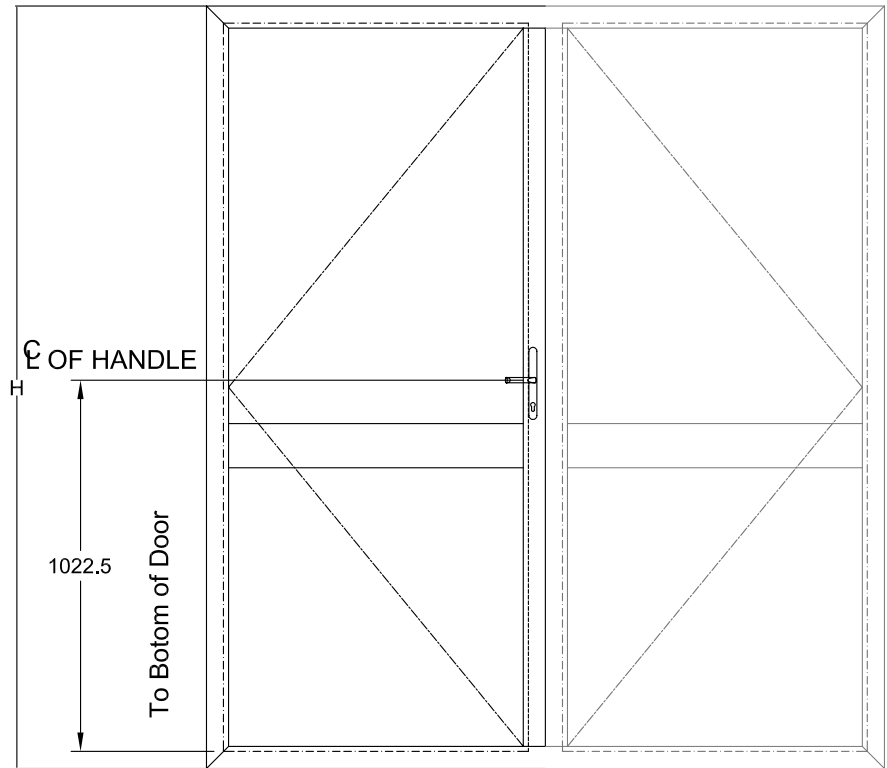
4L



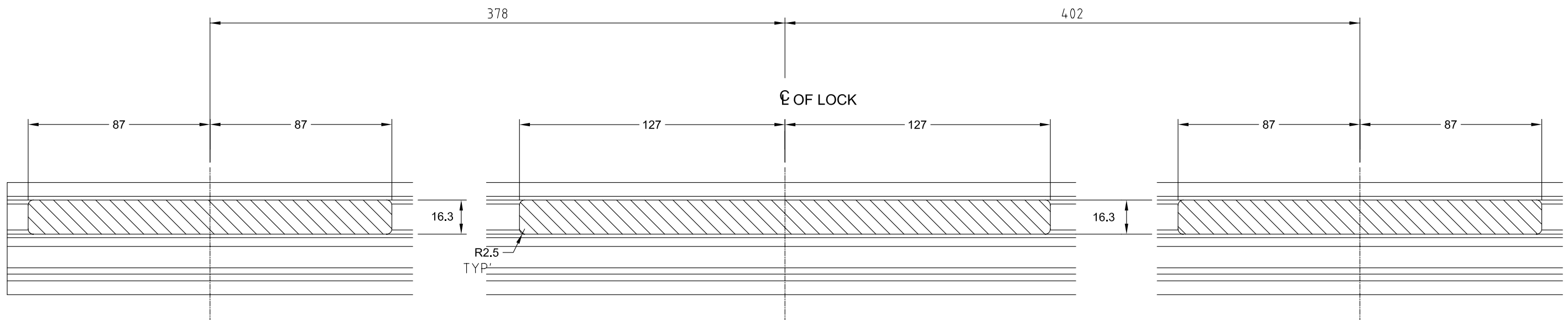
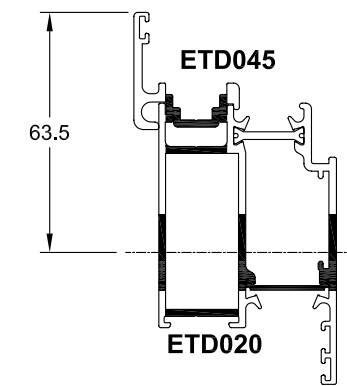
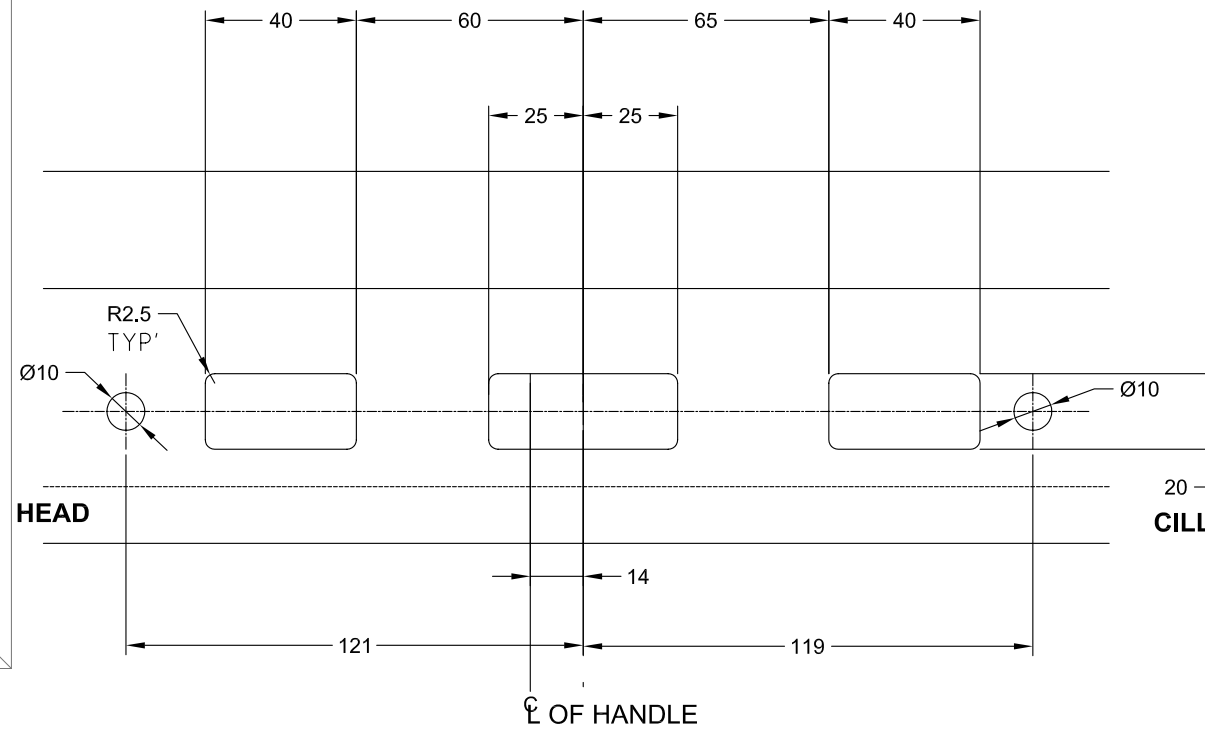
4m

Open In - Double Door Primary (Short Lock) 45mm Backset / Door Leaf Preparation

4m



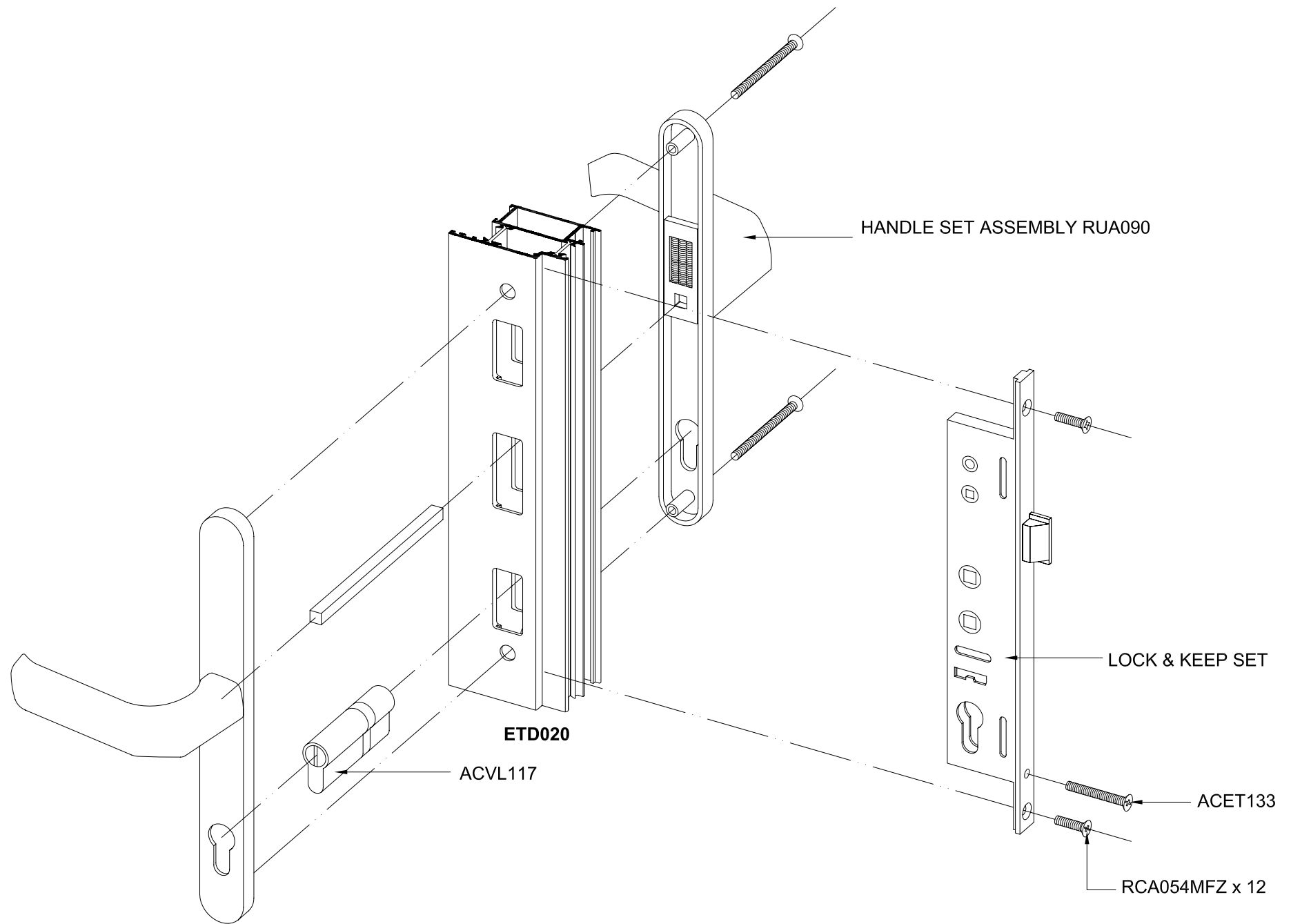
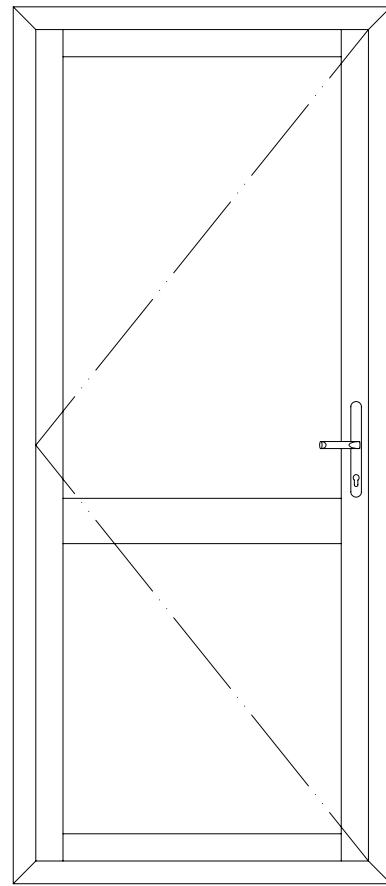
Primary Door - Open In

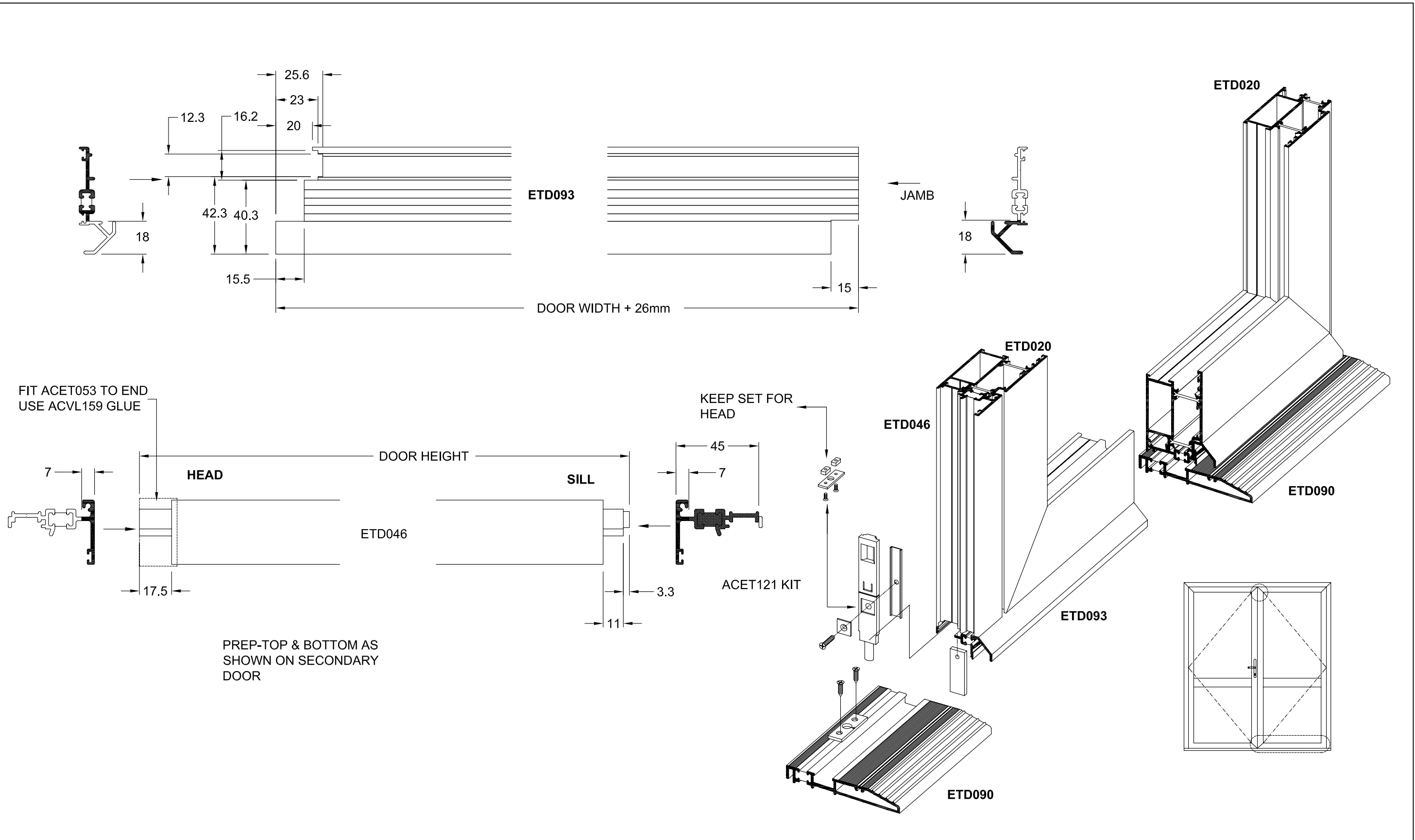


4n

Open In - Lock & Keep Set

4n

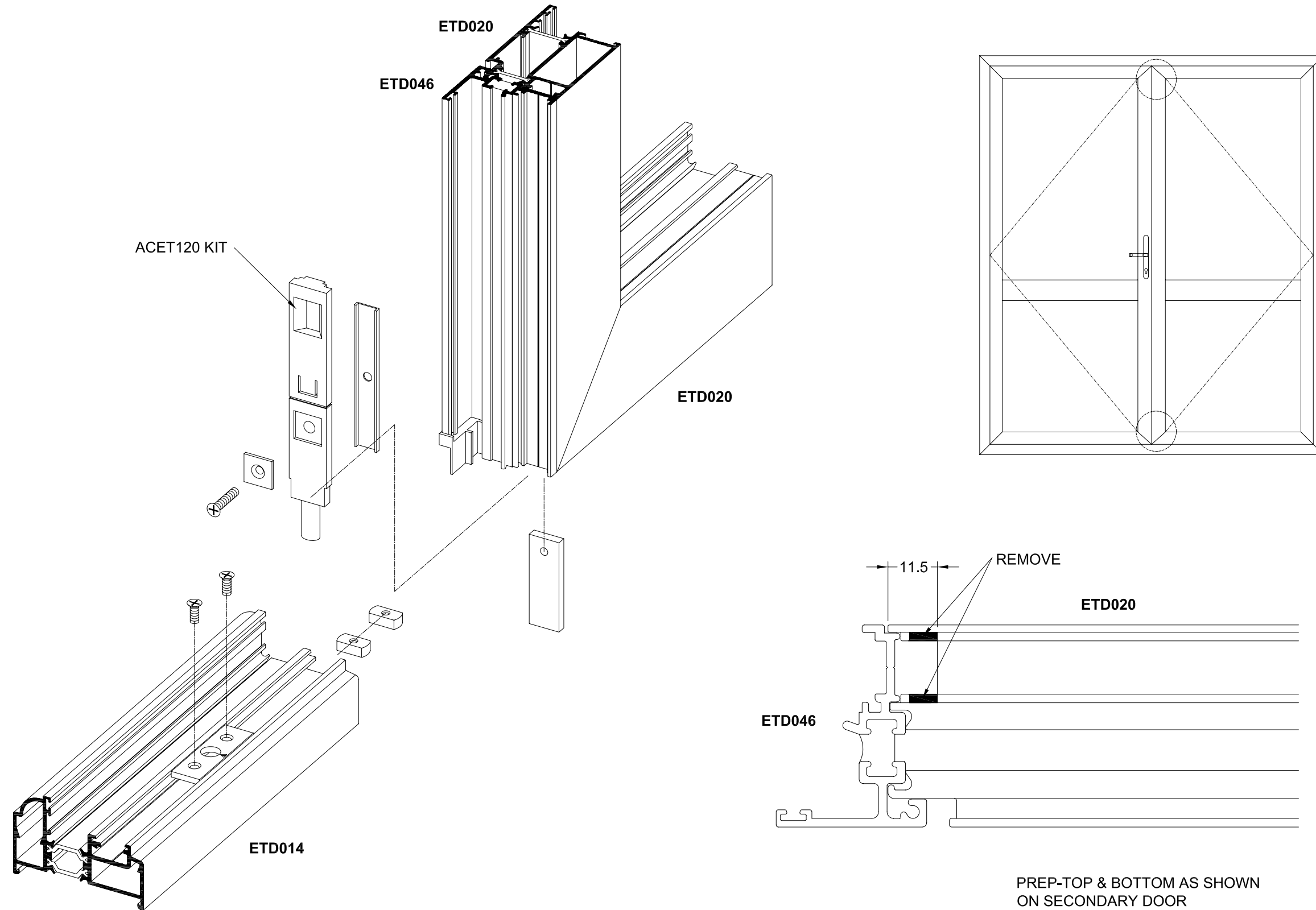




4q

Open In - Double Door Prep Top & Bottom as Shown on Secondary Door

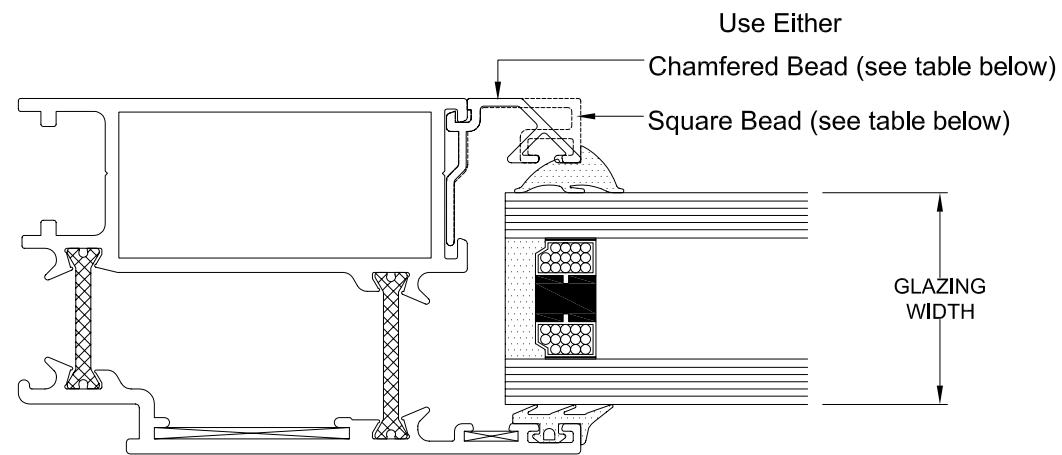
4q



5a

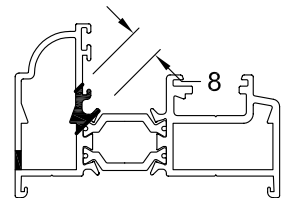
Open In - Glazing Preparation

5a

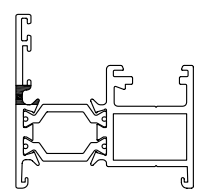


Internally Glazed					
24mm		28mm		32mm	
Beads	Seals	Beads	Seals	Beads	Seals
ETC162	ACVG31 ACVG34	ETC161	ACVG31 ACVG34	ETC160	ACVG31 ACVG34
ETC163	ACVG31 ACVG34	ETC164	ACVG31 ACVG34		

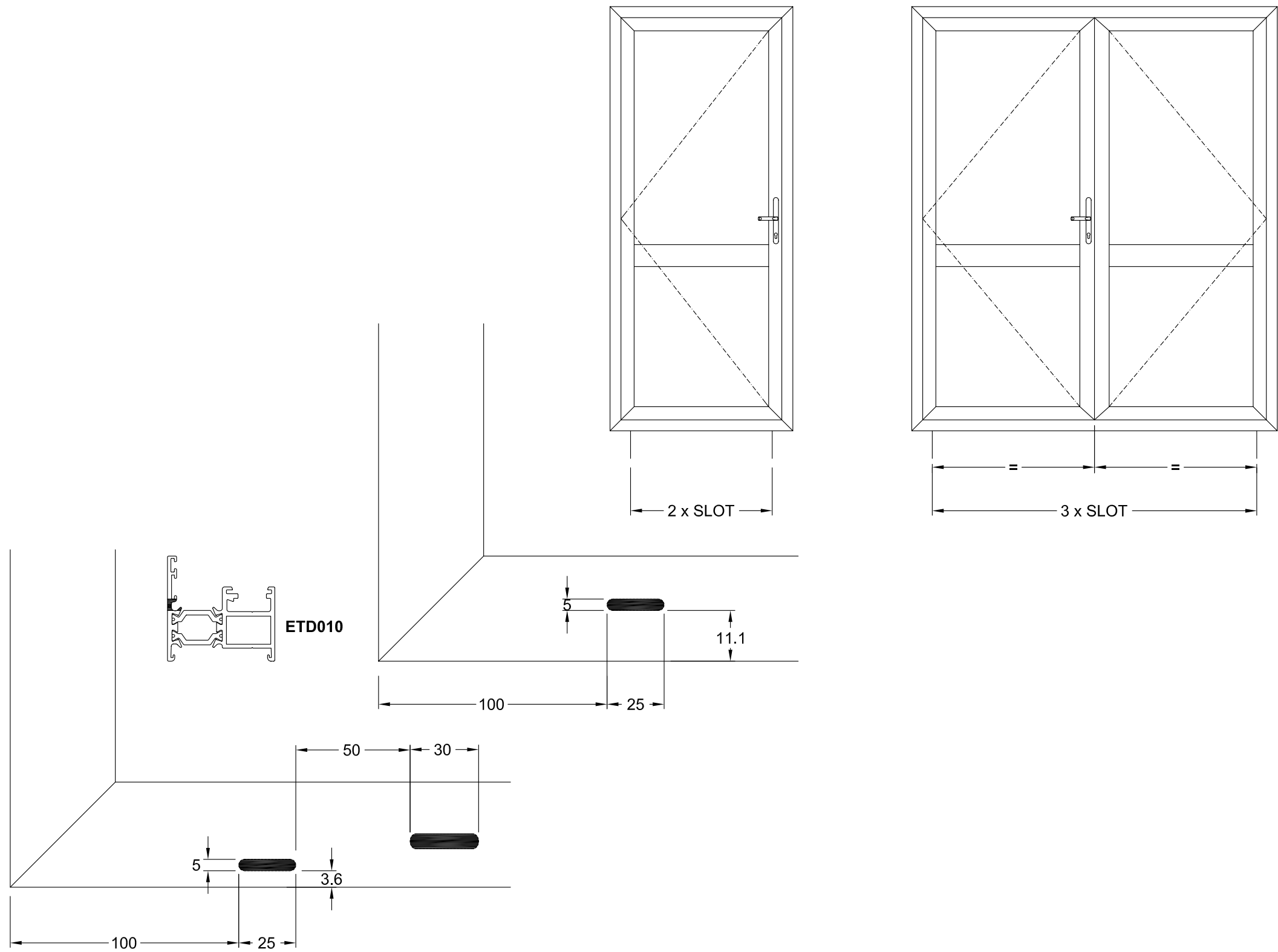
To ensure accuracy use recommended Drill Jig - ACET935



ETD014



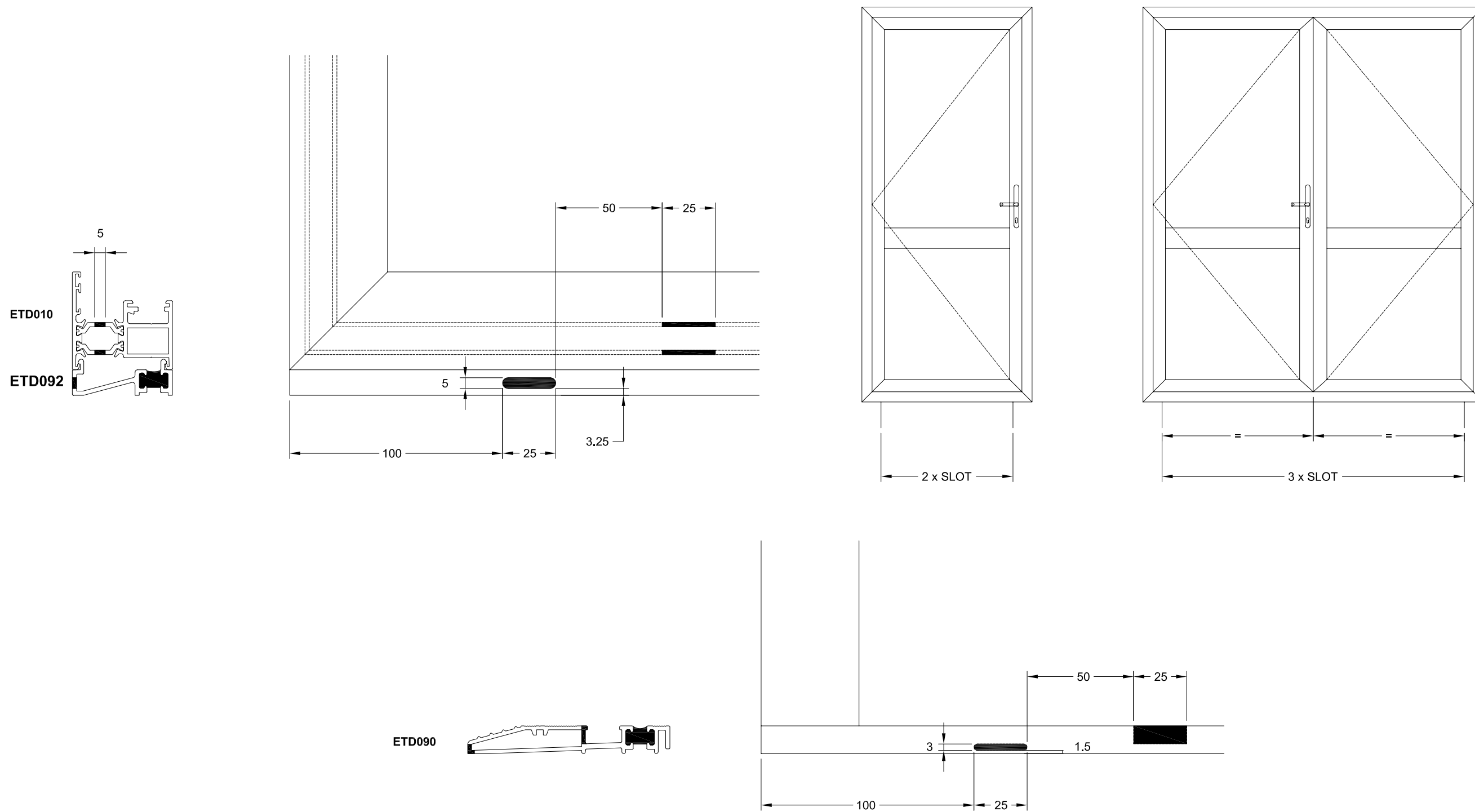
ETD010

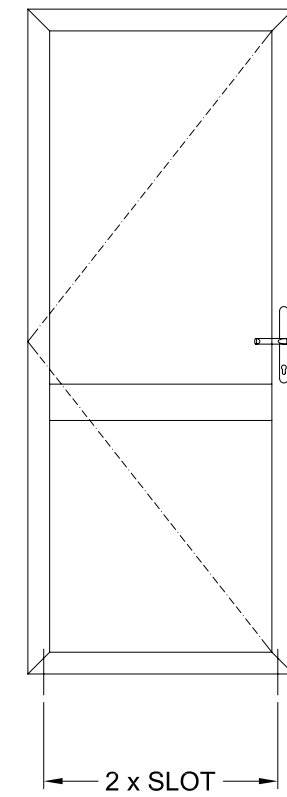
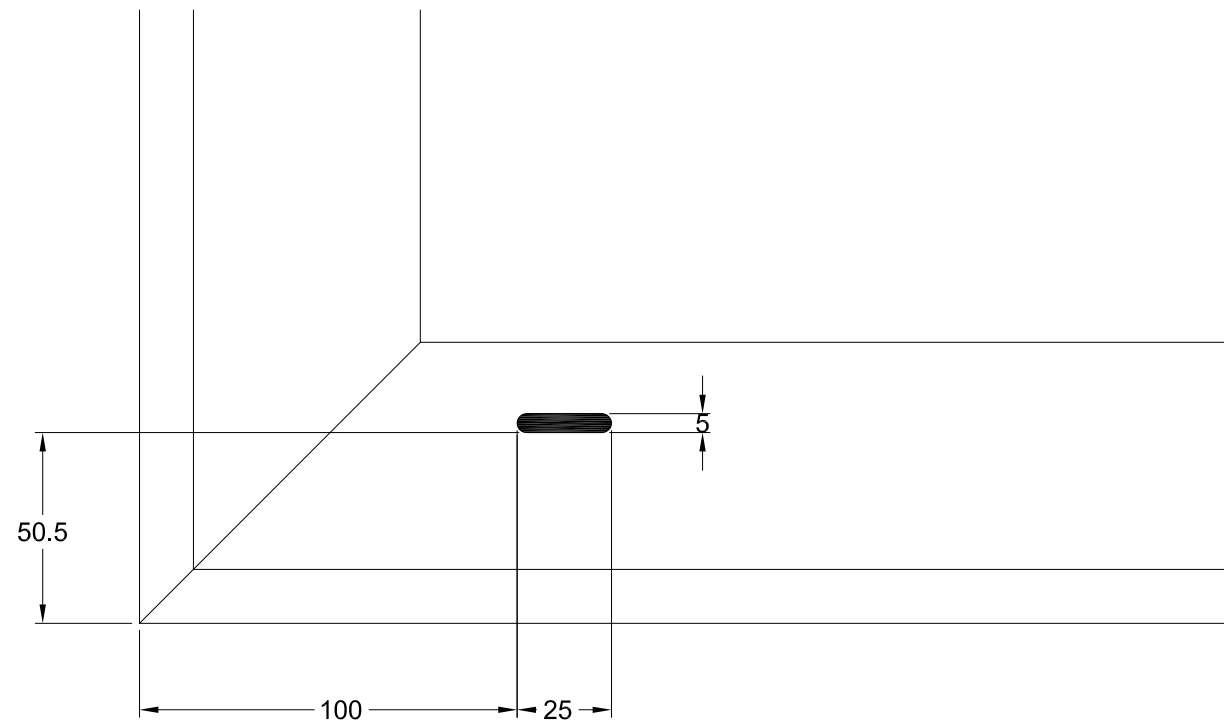
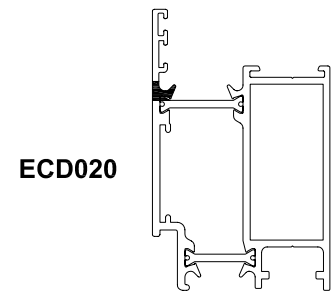
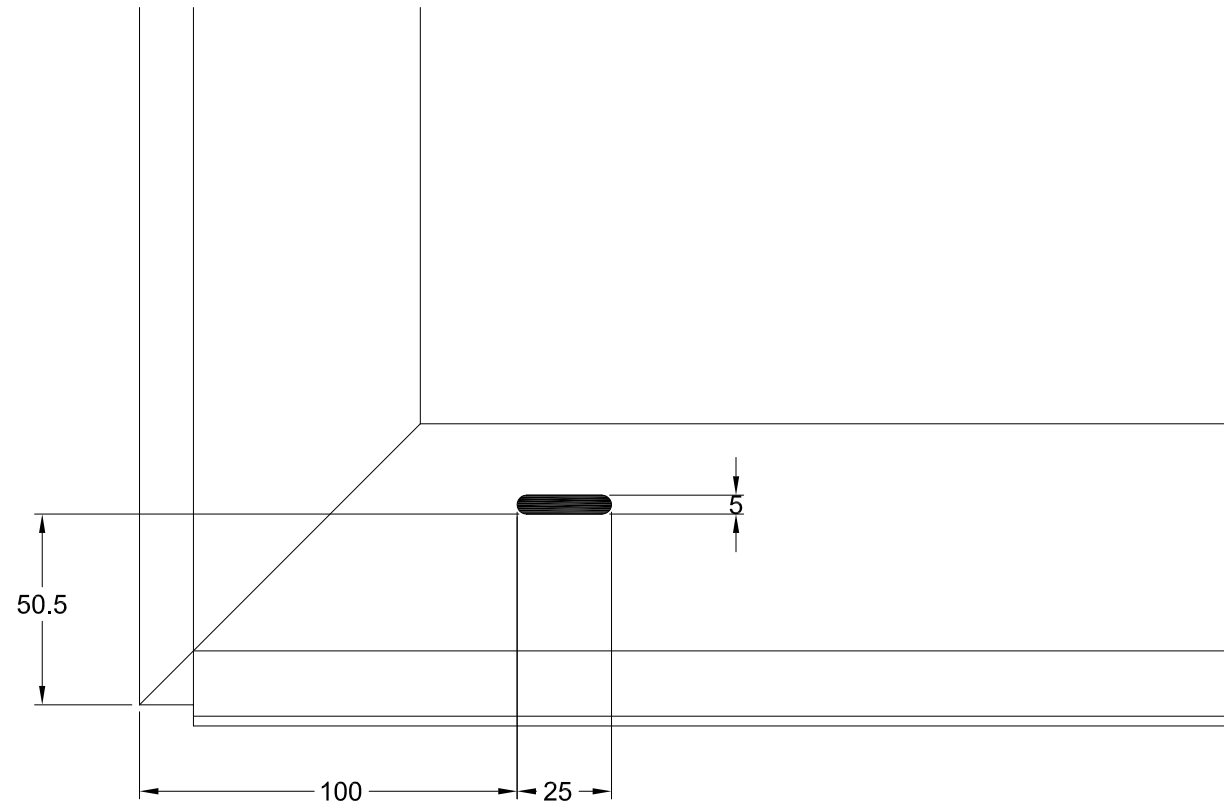
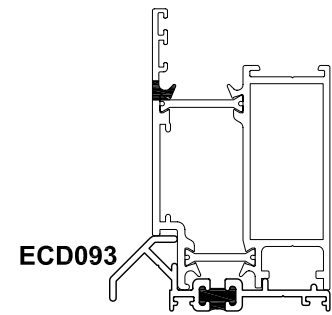


6b

Open In - Drainage

6b

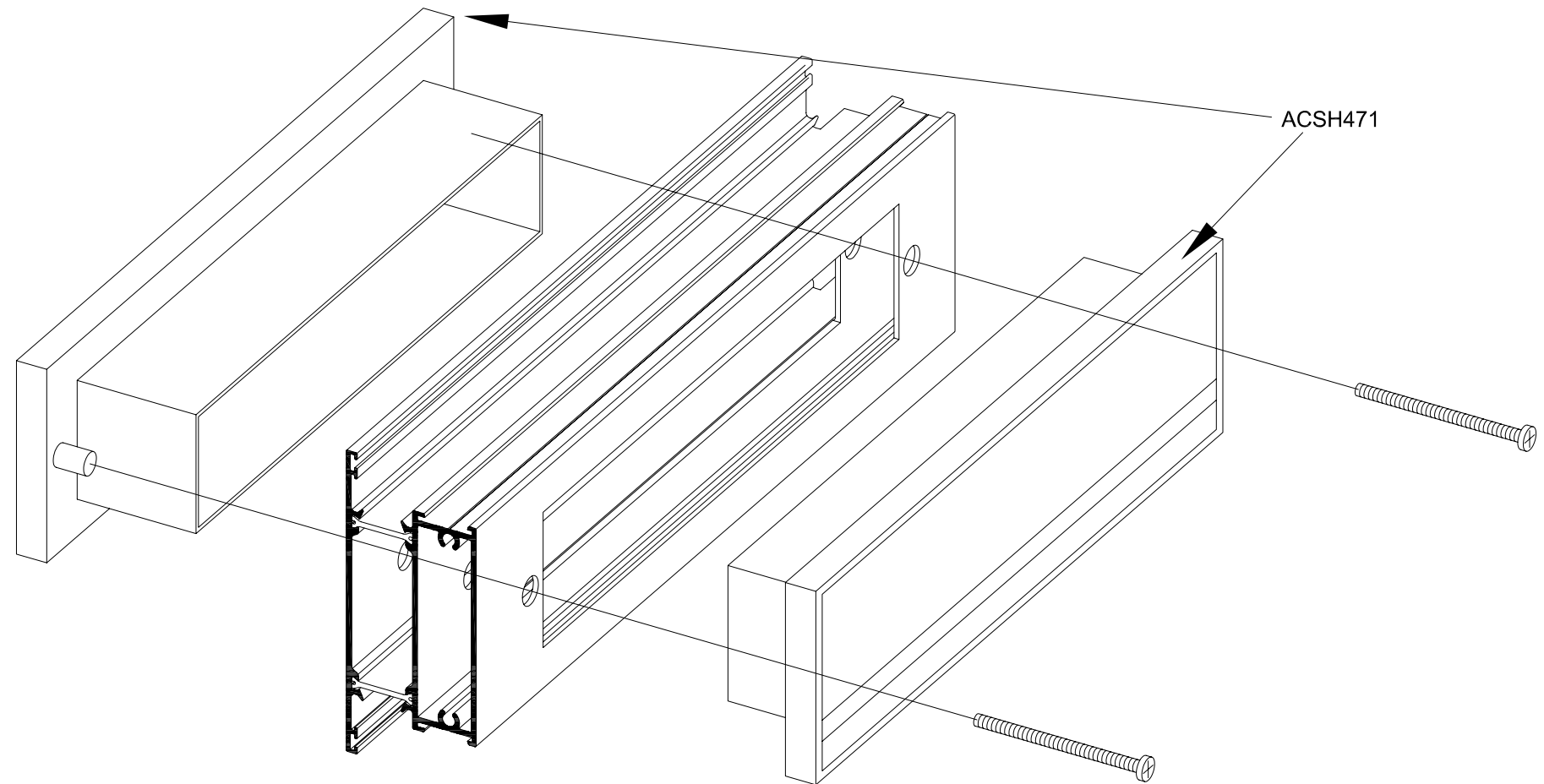
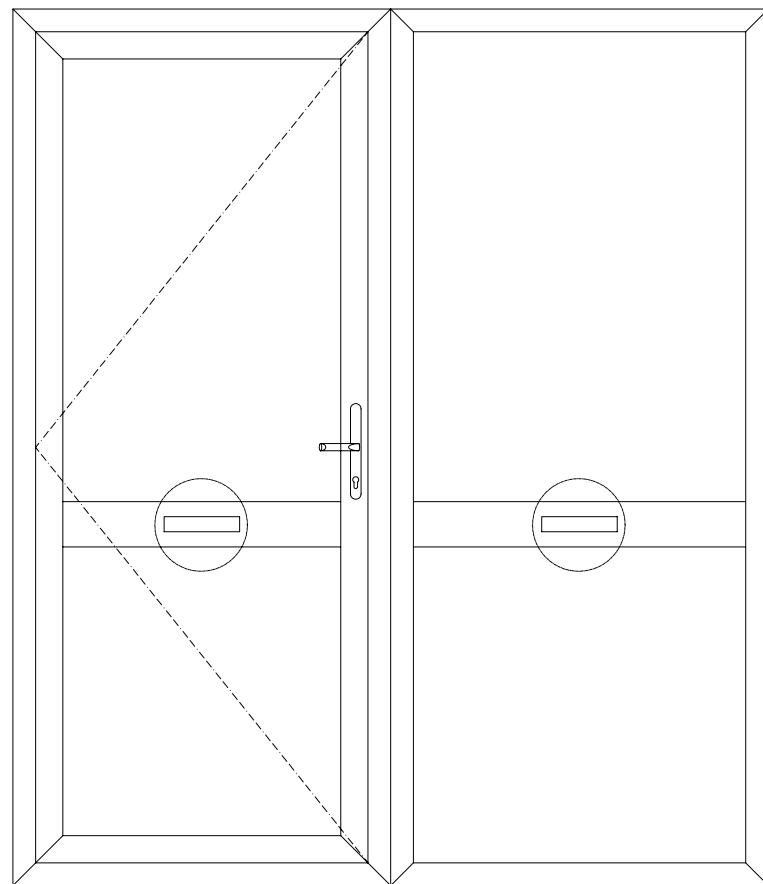
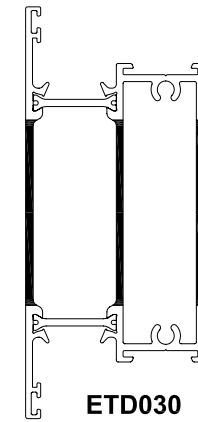
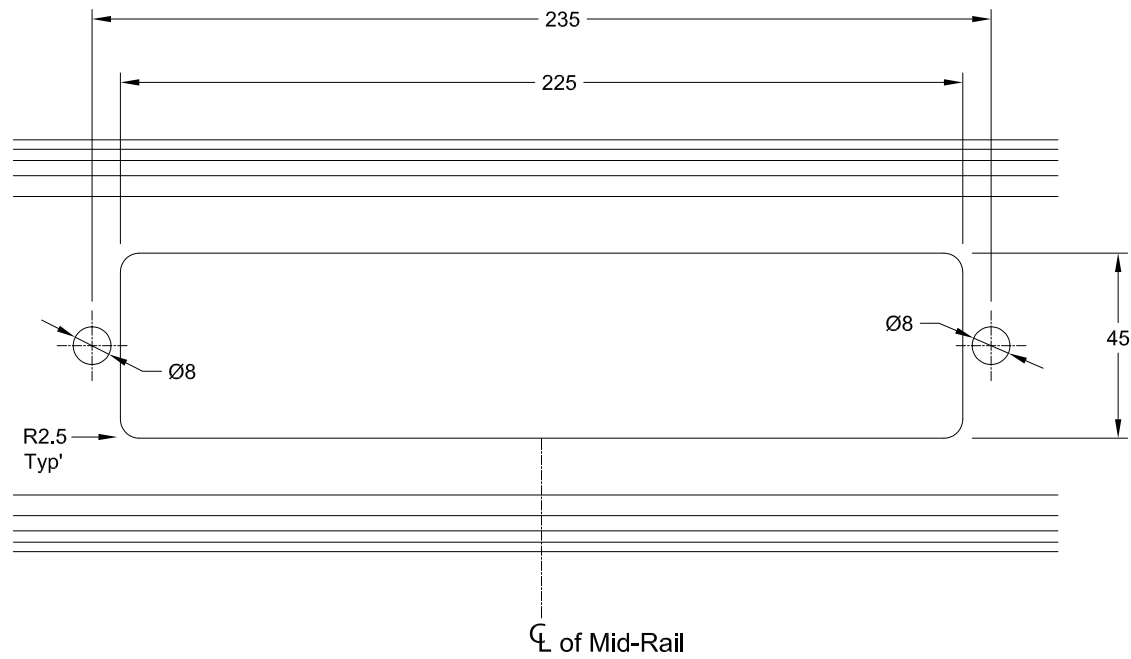




7a

Open In - Letter Plate Set

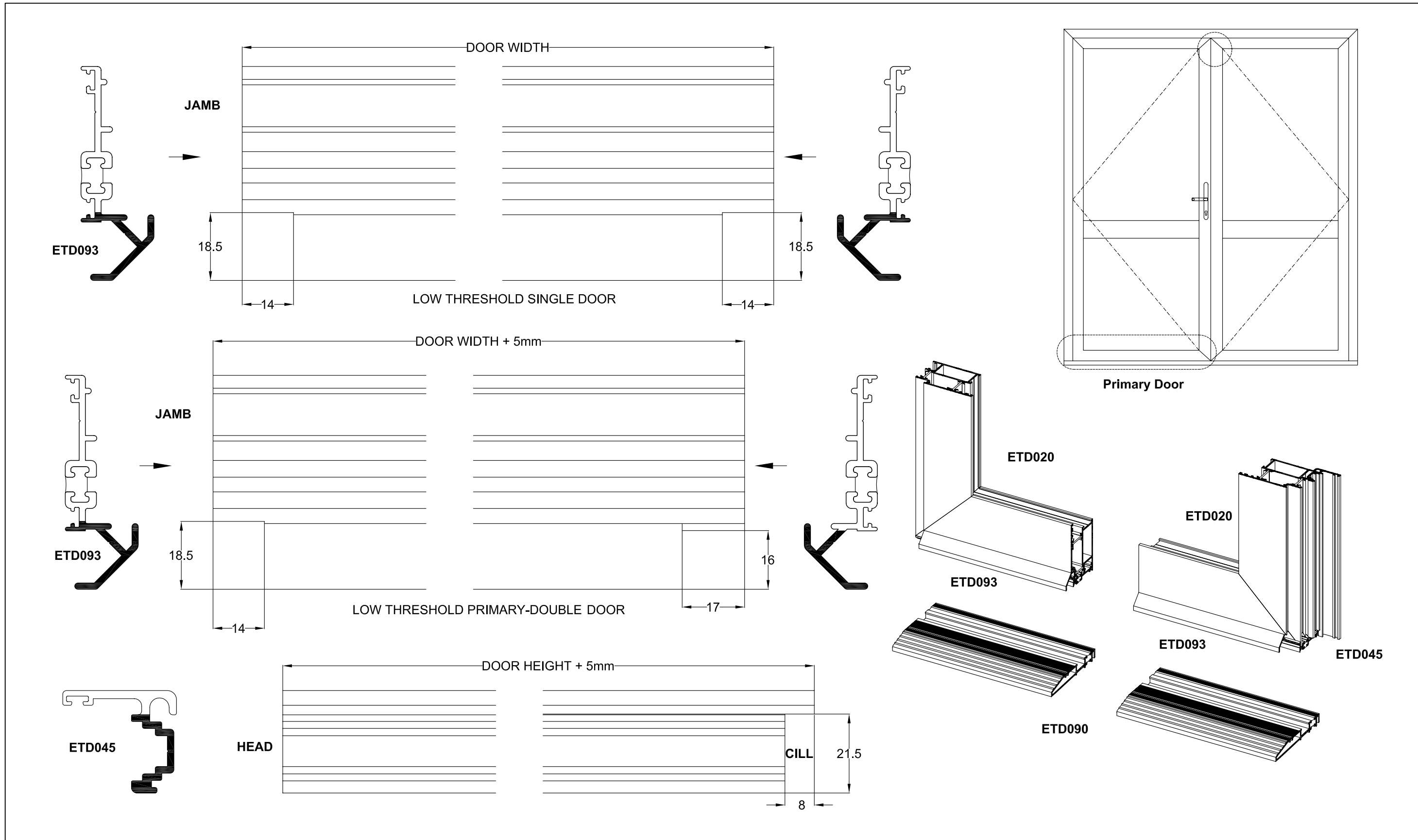
7a



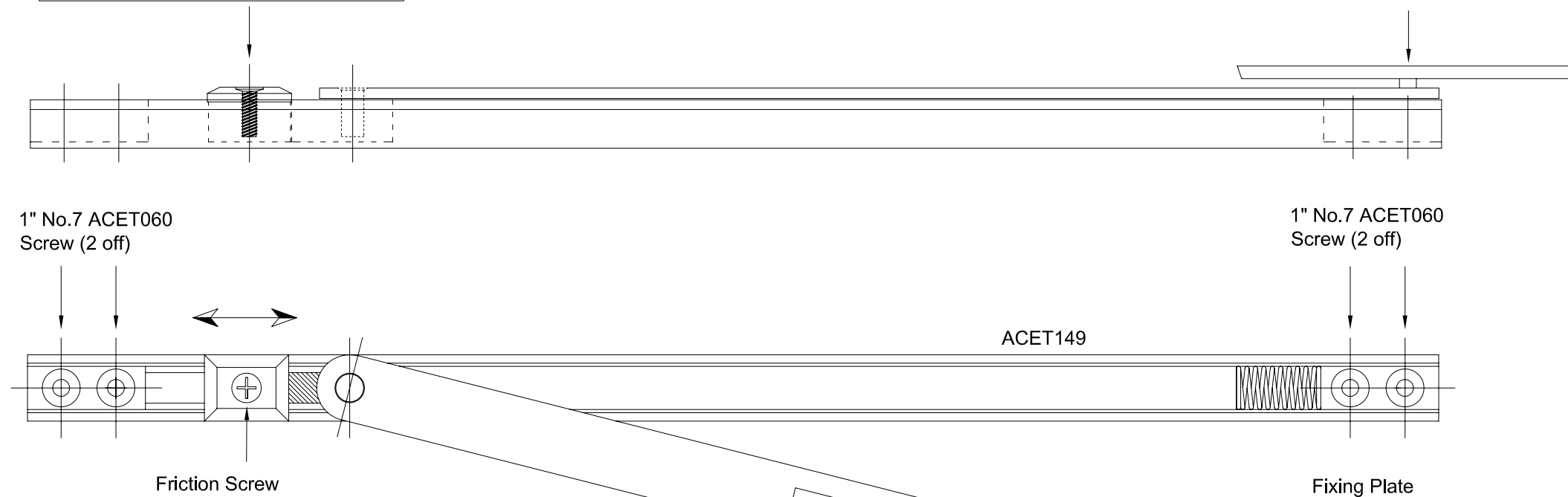
7b

Open In - Single / Double Door Primary (Low Threshold)

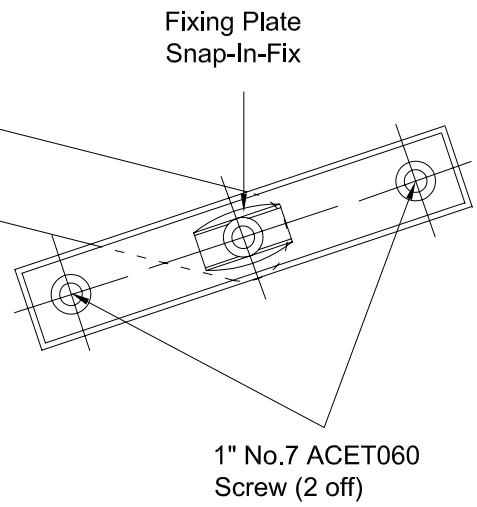
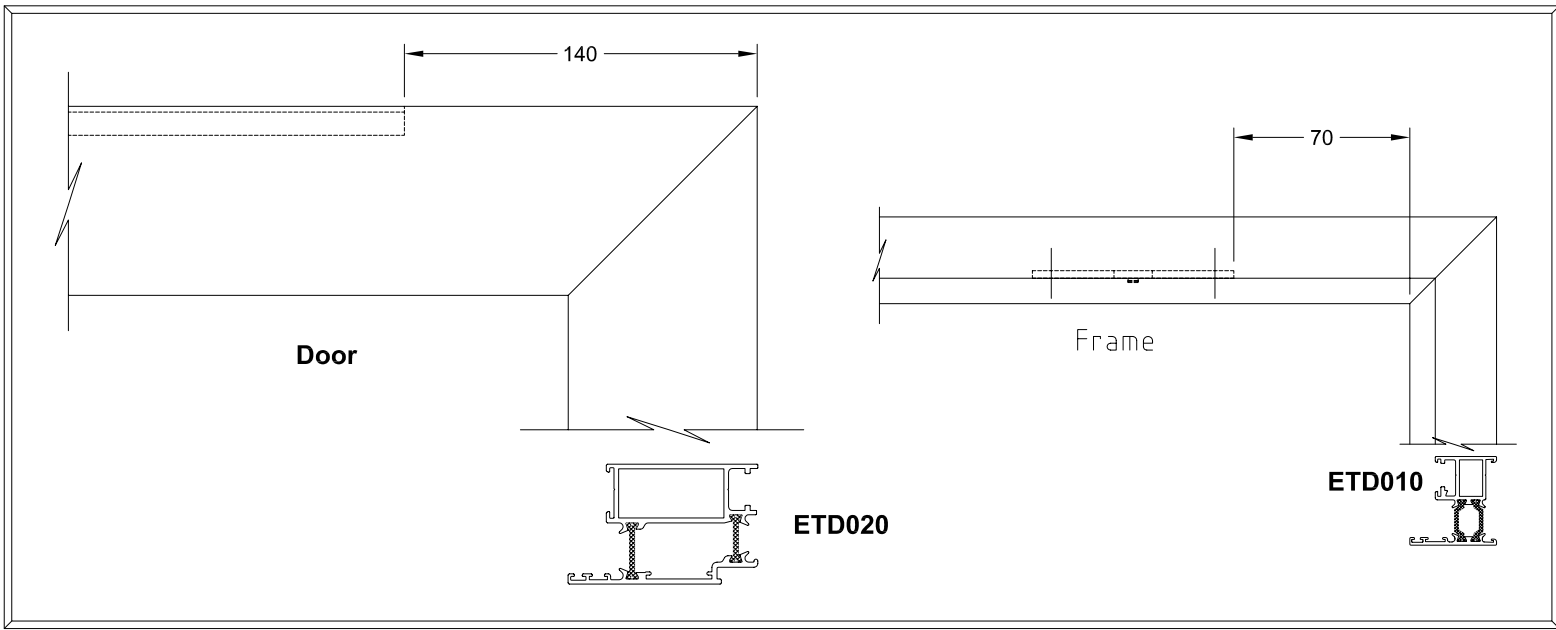
7b



Ensure Friction screw is loose before fitting Stay to Door. Adjust to required tension once the Stay is fixed in position.



Identification Registration



**Alitherm Door
Open Out
Construction Drawings**

Index

E ETD

Construction Drawings << Open Out >>

E 1

1 - Open In - Corner Jointing Page 120 to 125

E 2

2 - Transom/Mullion Fixings Page 126 to 129

E 3

3 - Stays / Hinges Page 130 to 130

E 4

4 - Locking Hardware Page 131 to 145

E 5

5 - Bead & Glazing Page 146 to 146

E 6

6 - Drainage Page 147 to 149

E 7

7 - Miscellaneous Page 155 to 152

IF IN DOUBT ASK!

**Alitherm Door
Open In
Construction Drawings**

Index

E ETD

Construction Drawings << Open In >>

E 1

1 - Open In - Corner Jointing Page 83 to 89

E 2

2 - Transom/Mullion Fixings Page 90 to 93

E 3

3 - Stays / Hinges Page 94 to 94

E 4

4 - Locking Hardware Page 95 to 109

E 5

5 - Bead & Glazing Page 110 to 110

E 6

6 - Drainage Page 111 to 113

E 7

7 - Miscellaneous Page 114 to 116

IF IN DOUBT ASK!



Section 'E'

Alitherm Door

Section 'E'



Drawing Number: eETD---

Construction Drawing

Blank Sheet

Open Out

Blank Sheet

This page left Blank Intentionally

IF IN DOUBT ASK!

IF IN DOUBT ASK!

1a

Open Out - Door Profiles

1a

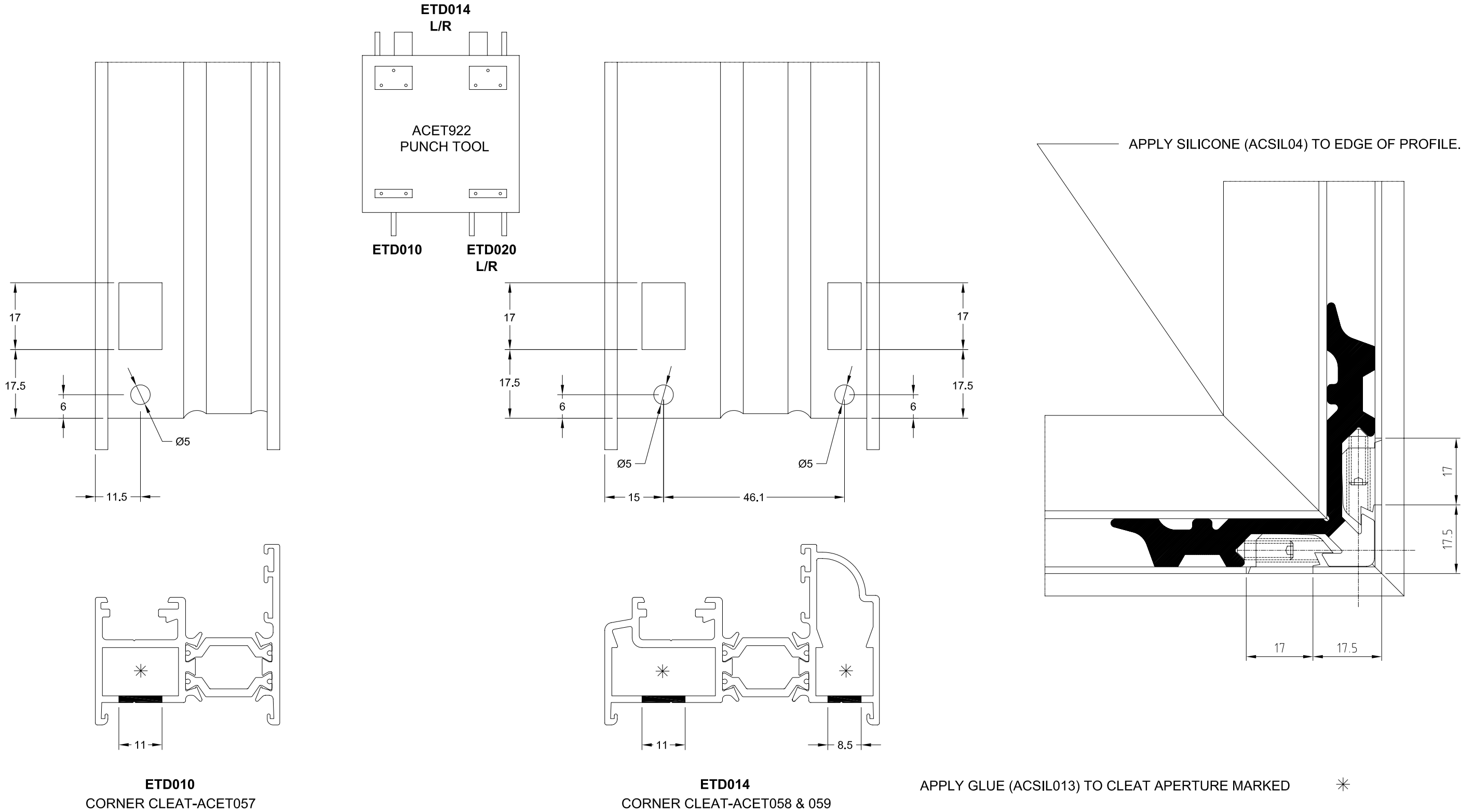
Profiles	Tooling / Components
	Corner Chevron - WCA106 Mechanical cleat - ACET057 Tooling - ACET922
ETD014 ETD018 	Corner Chevron - WCA106 Mechanical Cleat - ACET058 Mechanical Cleat - ACET059 Tooling - ACET922
ETD030 	Core Screw - PUA056ssz Drill Jig - ACET923

Profiles	Tooling / Components
ETD031 ETD032 	Core Screw - ACET079 - ETD031 Drill Jig - ACET916
ETD020 	Corner Chevron - ACET045 Corner Chevron - ACET055 Mechanical Cleat - ACET056 Tooling - ACET922

1b

Open Out - Corner Cleat

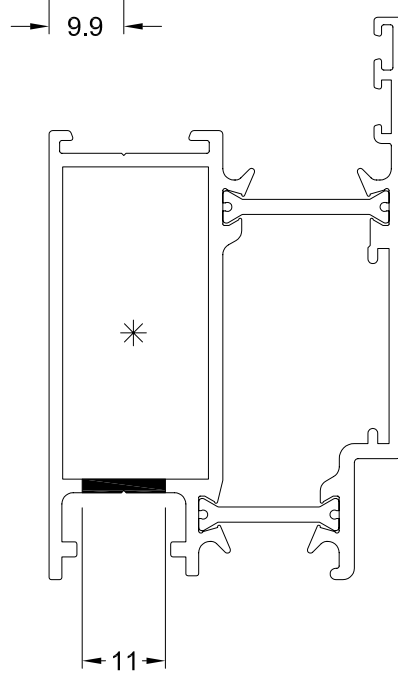
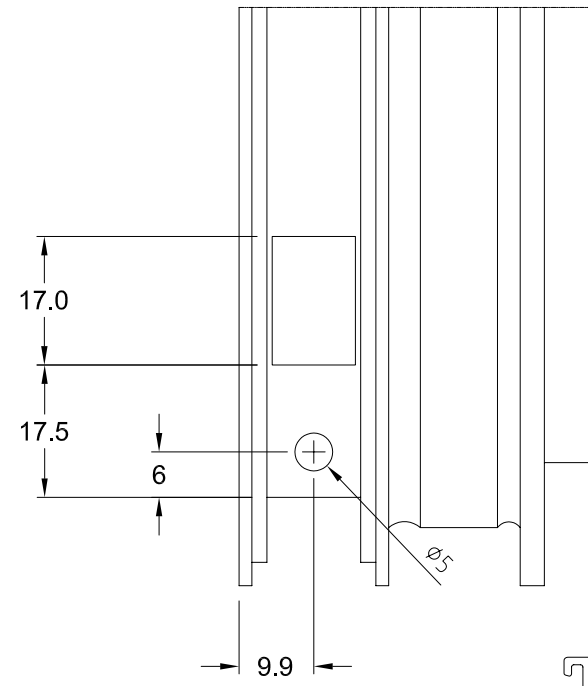
1b



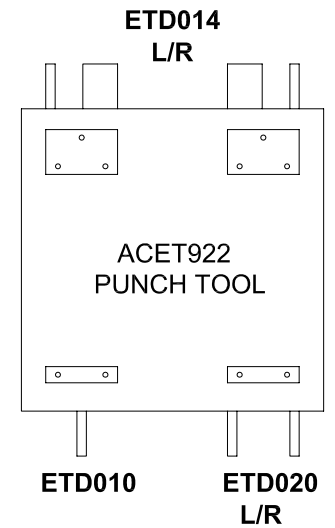
1c

Open Out - Corner Cleat

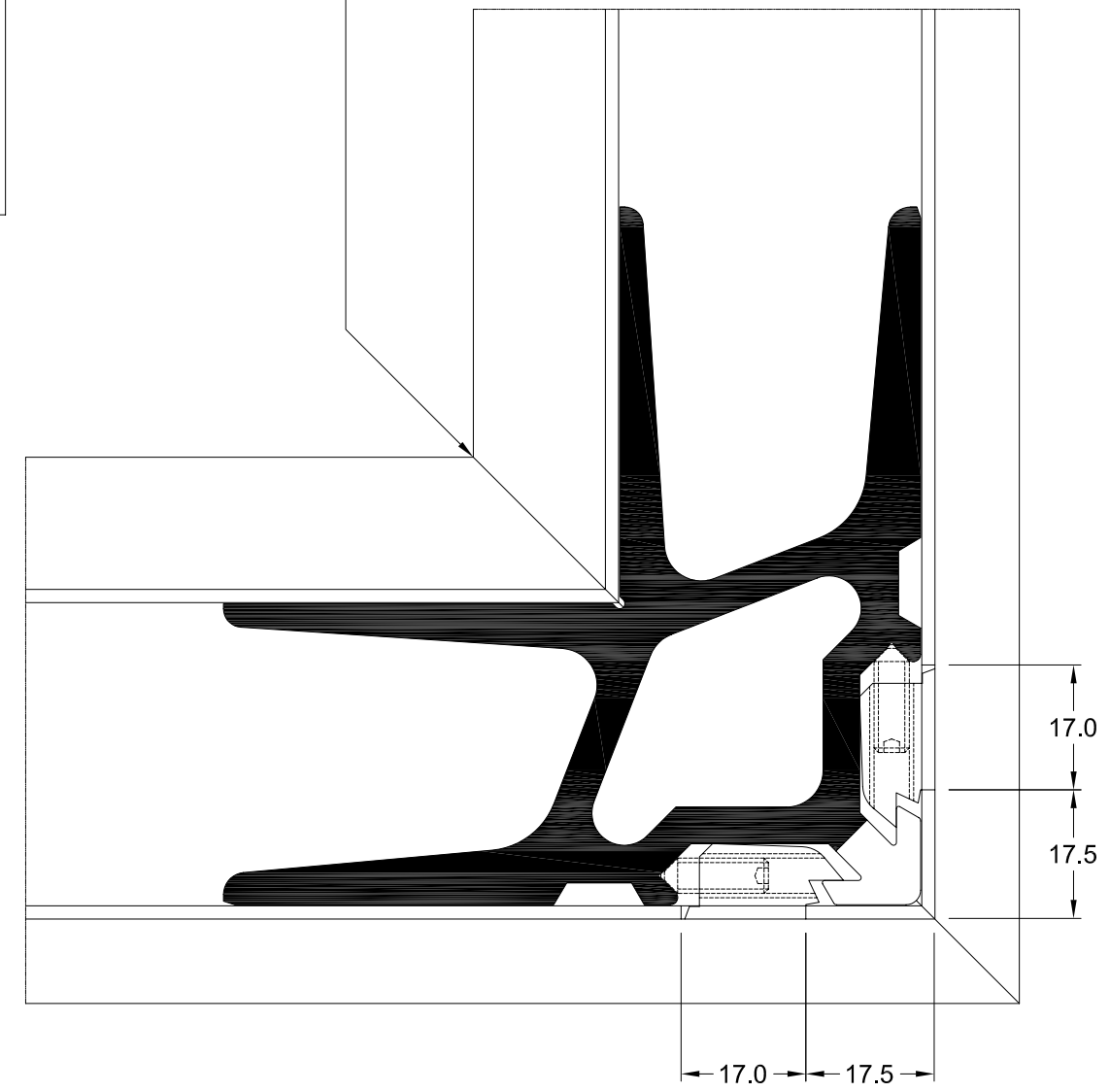
1c



ETD020
CORNER CLEAT-ACET056



APPLY SILICONE (ACSIL04) TO EDGE OF PROFILE.

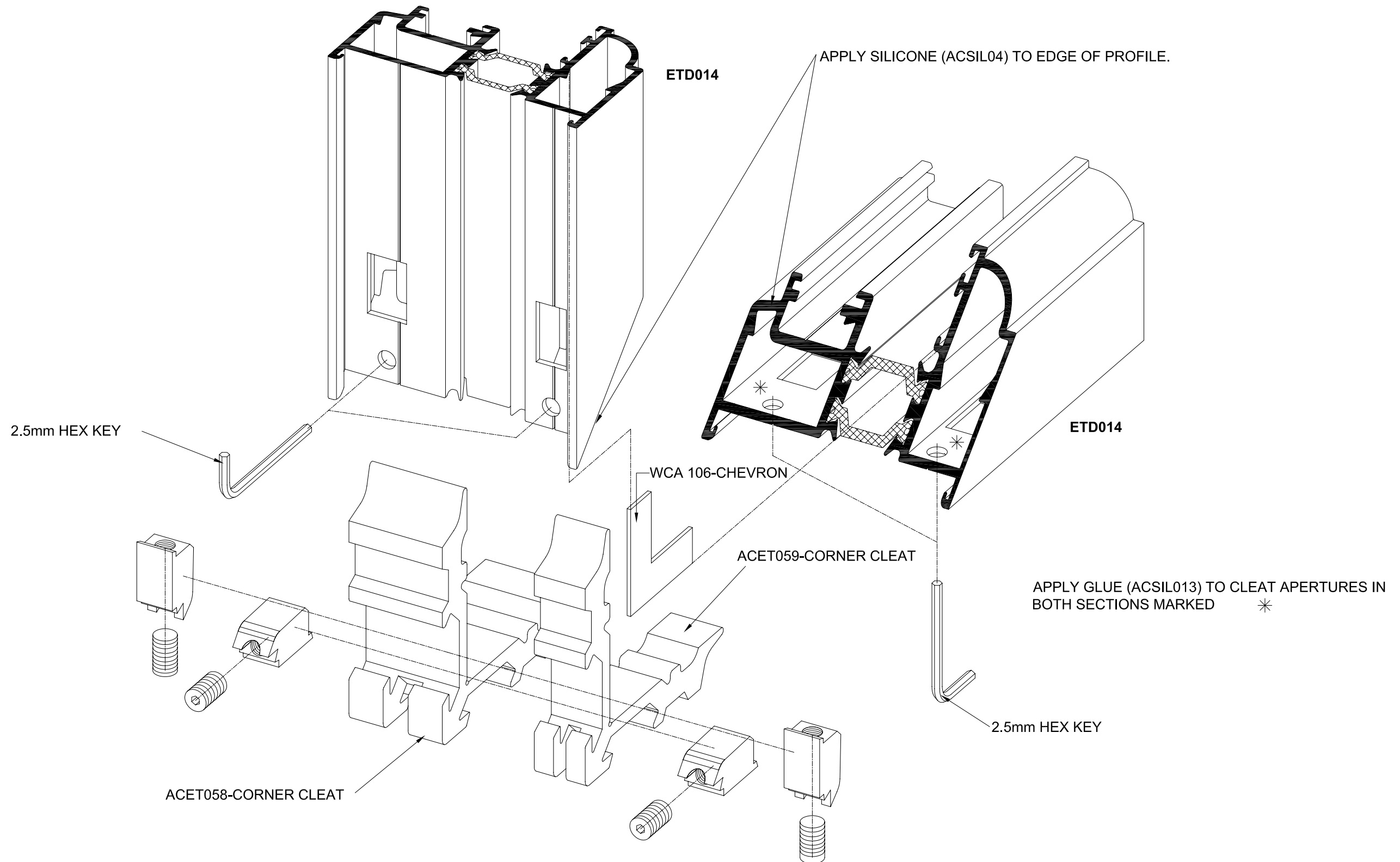


APPLY GLUE (ACSIL013) TO CLEAT APERTURE MARKED *

1d

Open Out - Montage Square Coupling Joint

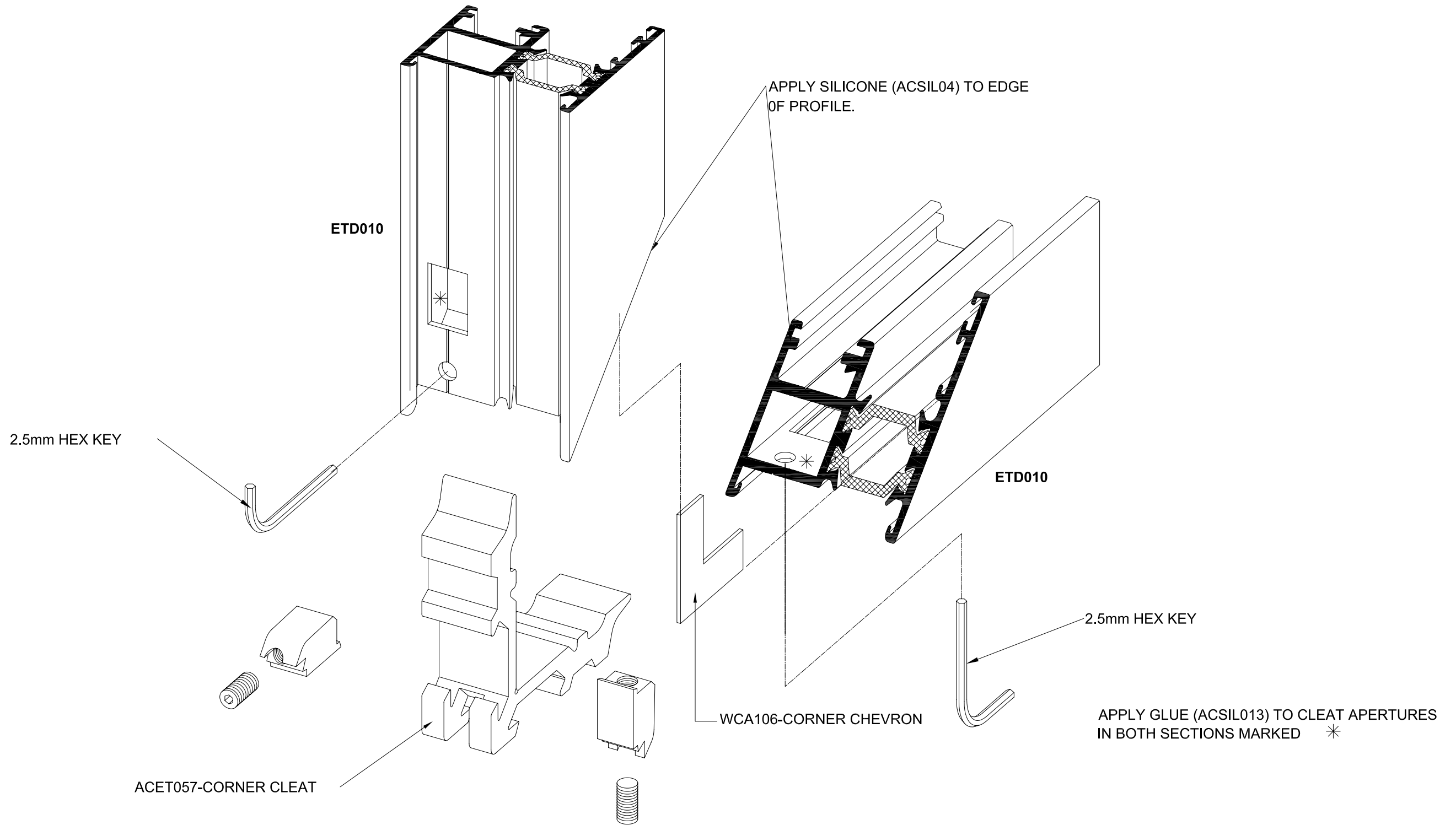
1d

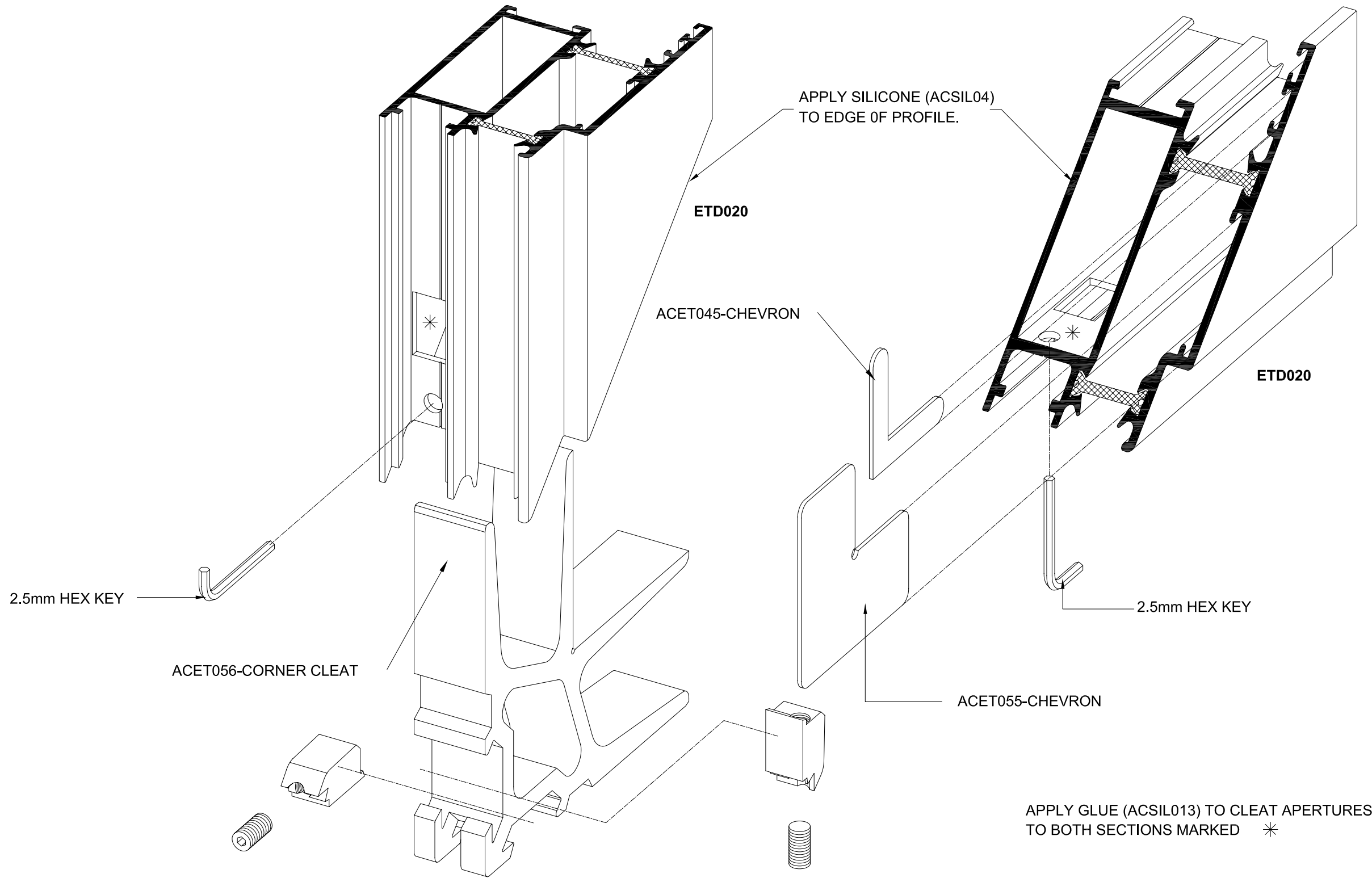


1e

Open Out - Montage Square Coupling Joint

1e

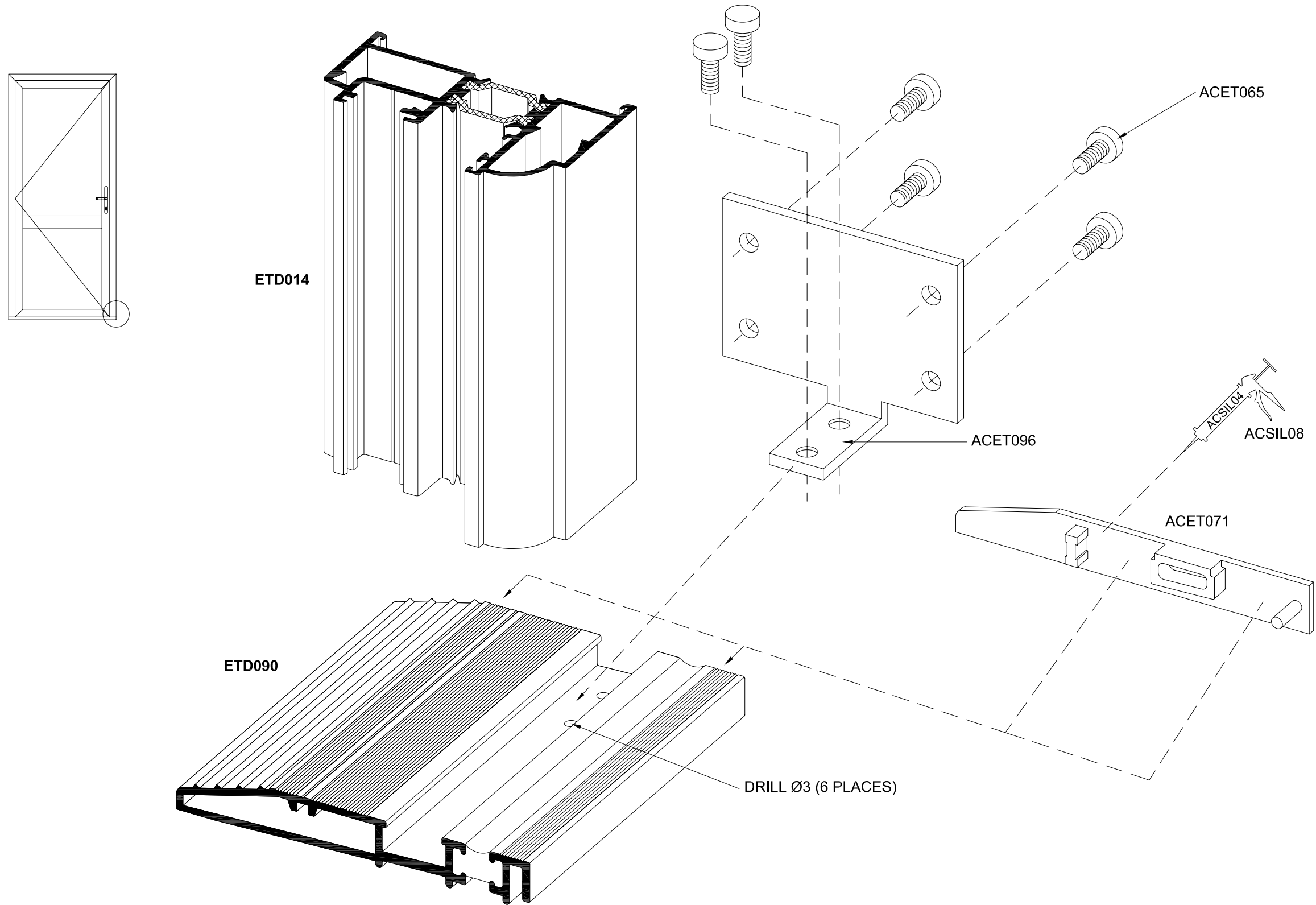




1g

Open Out -Low Threshold Corner Joint

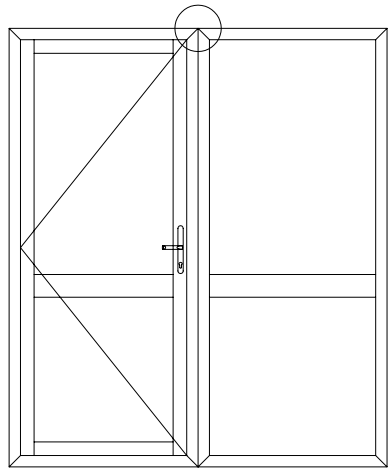
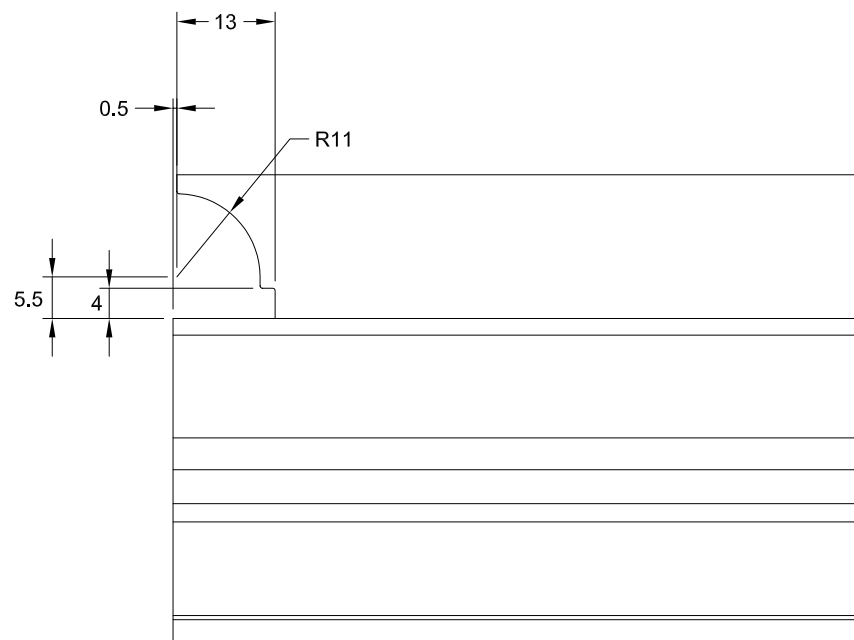
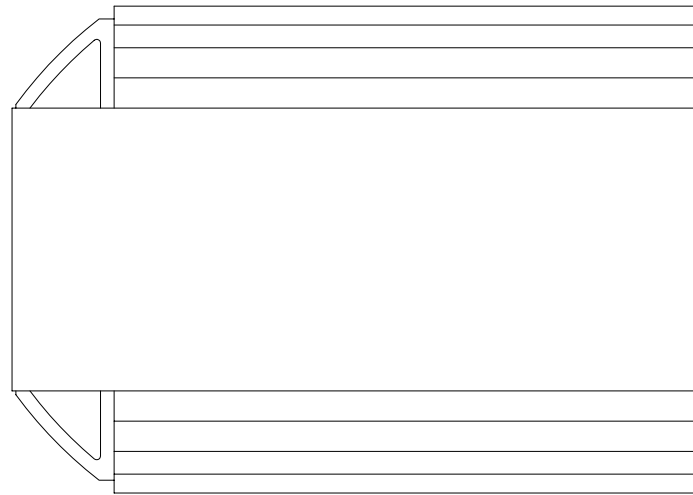
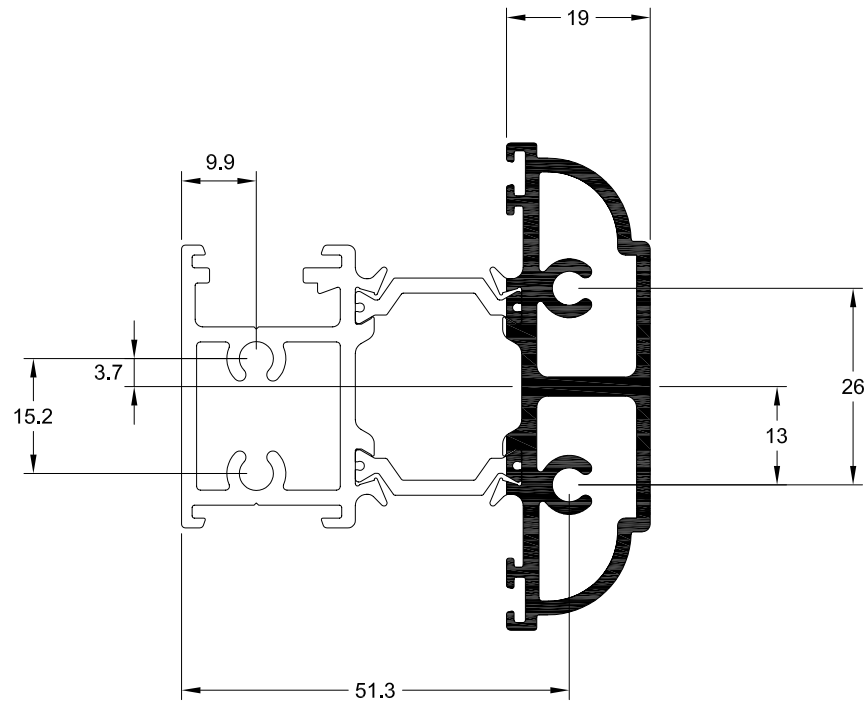
1g



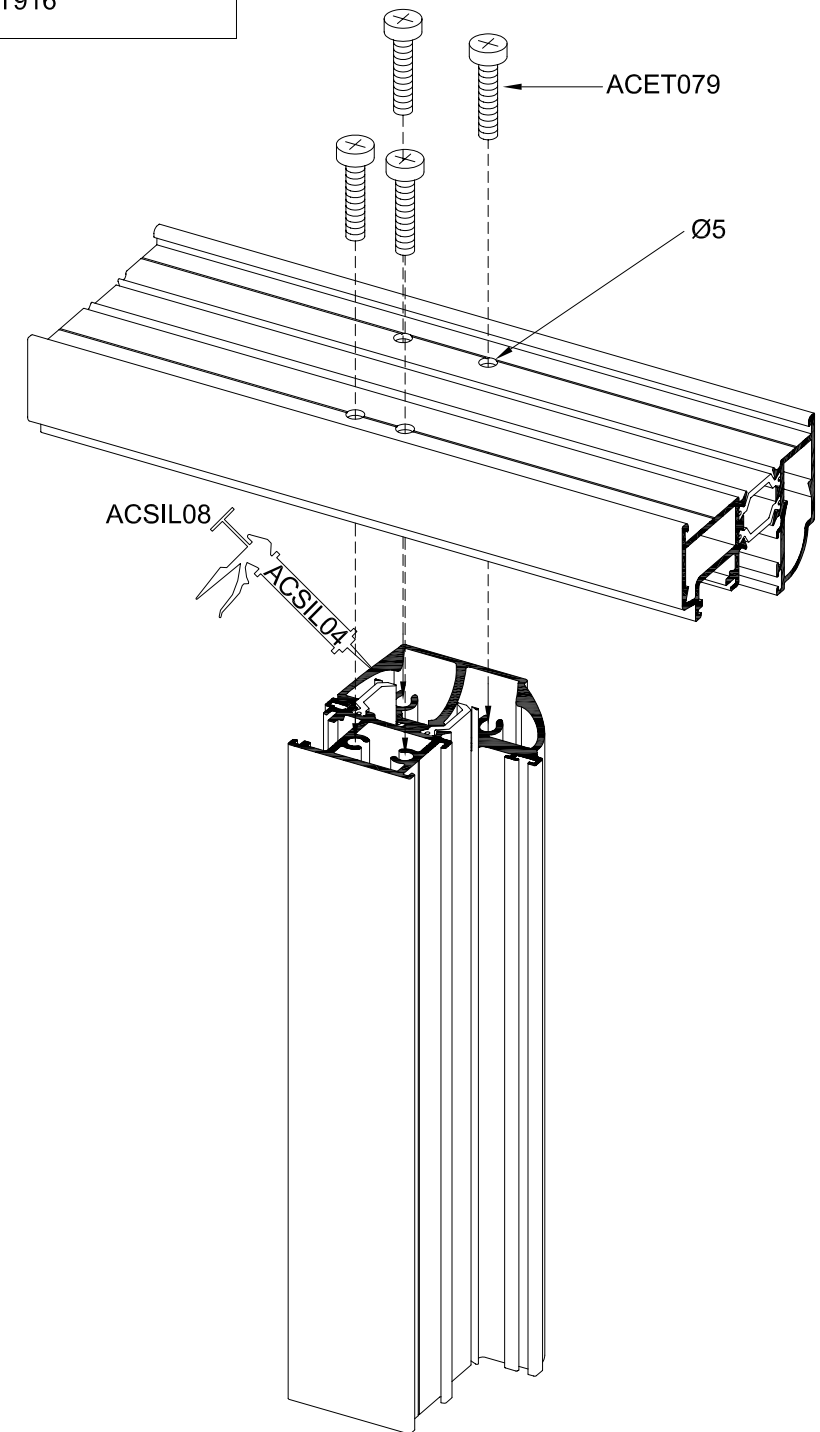
2a

Open Out - Integral Mullion-70mm Ovolo Outerframe

2a



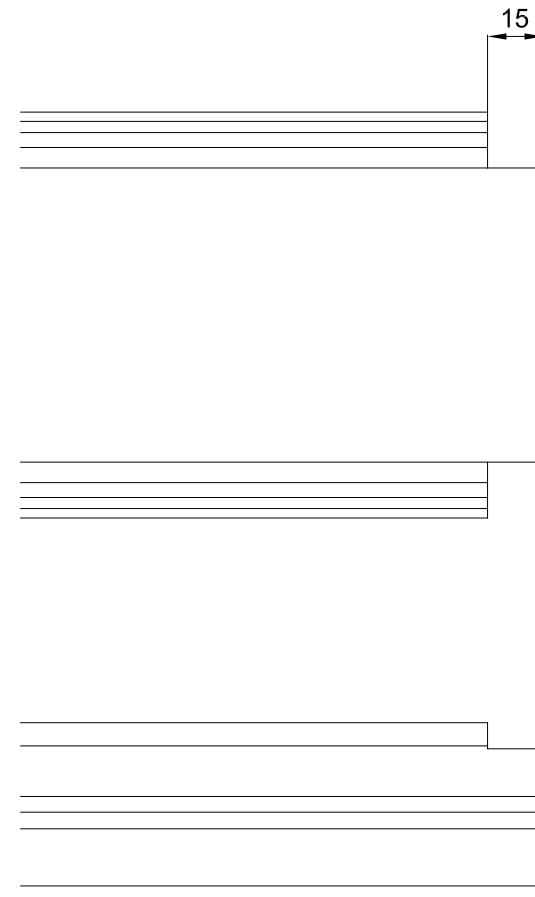
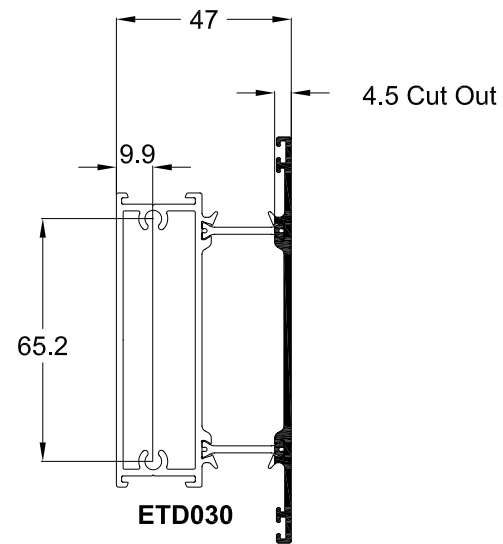
To ensure accuracy use recommended Drill jig-ACET916



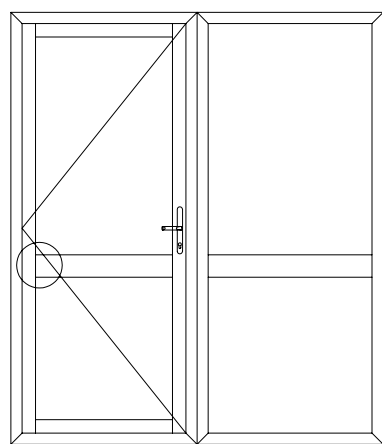
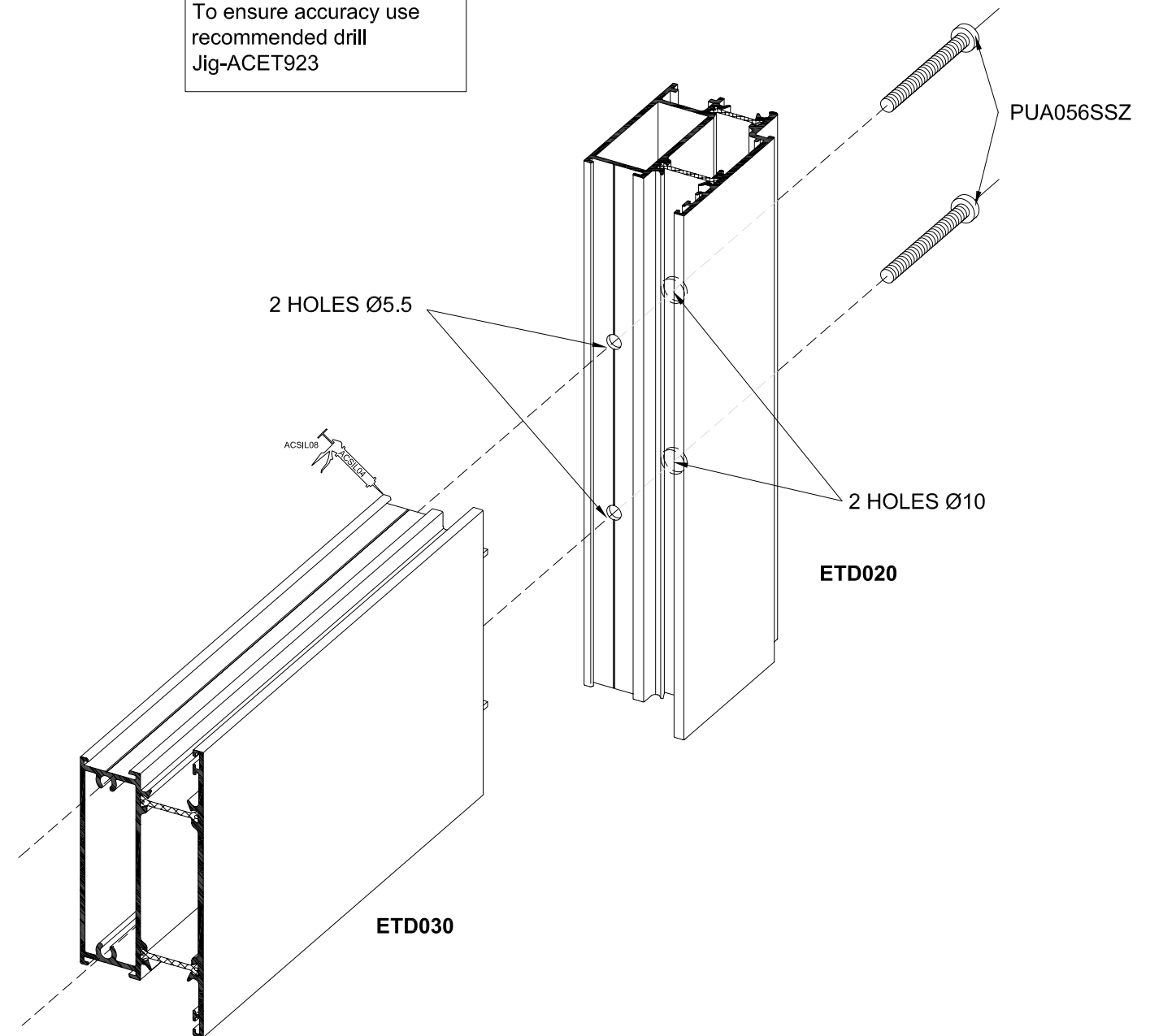
2b

Open Out - Middle/Deep Rail with Leaf Stile

2b



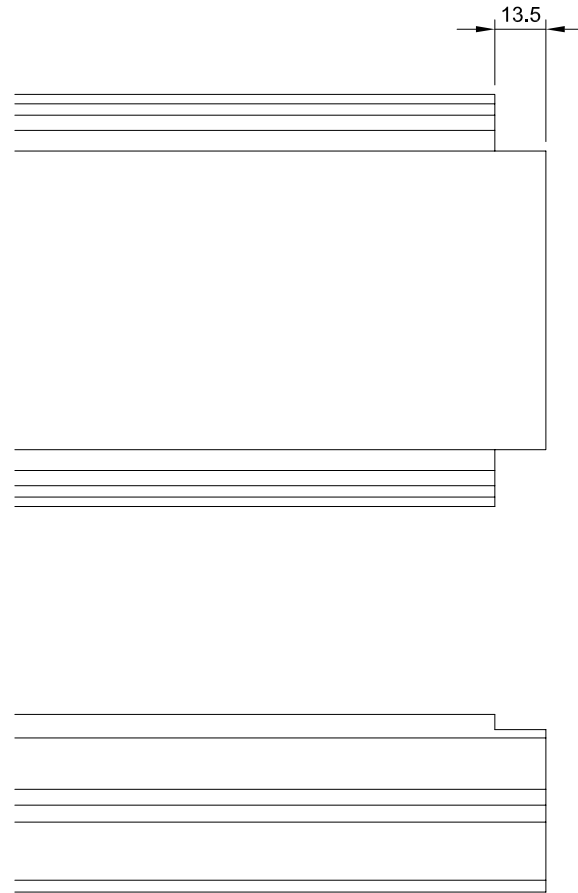
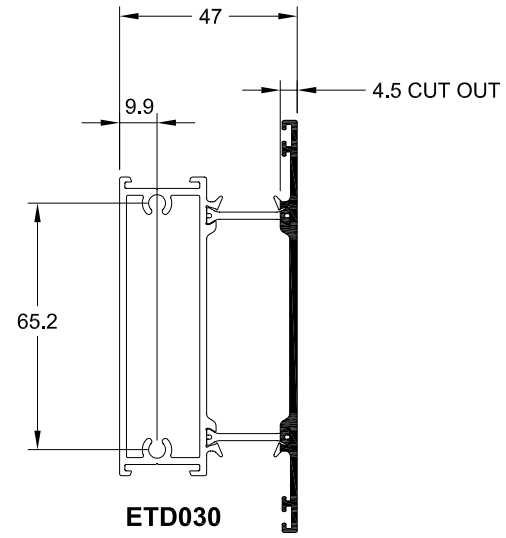
To ensure accuracy use recommended drill Jig-ACET923



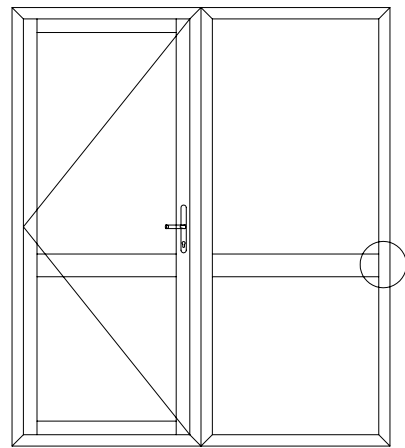
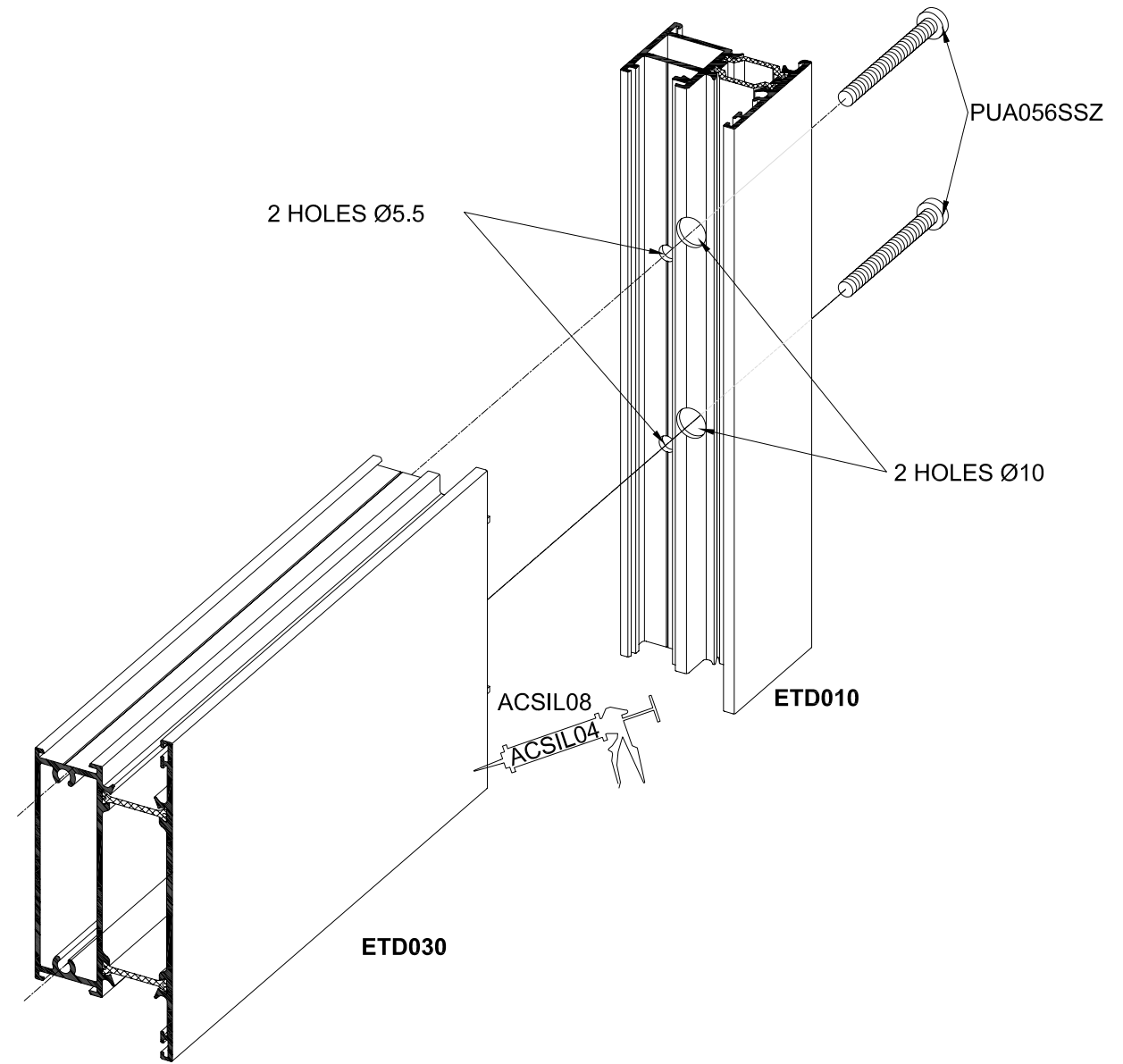
2c

Open Out - Middle / Deep Rail 47mm Outerframe

2c



To ensure accuracy use recommended drill Jig-ACET916





Section 'E'

Alitherm Door

Section 'E'



Construction Drawing

Drawing Number: eETD-47-11-00

2d

Open Out - Cill / Mullion Joint (Not Applicable)

2d

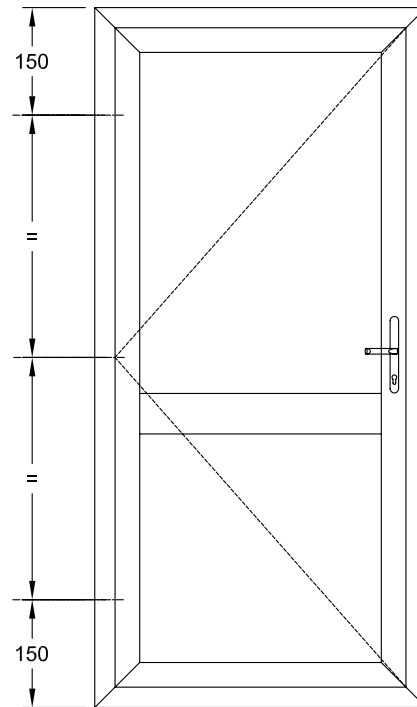
This Page Left Blank Intentionally

ASSEMBLY INSTRUCTIONS

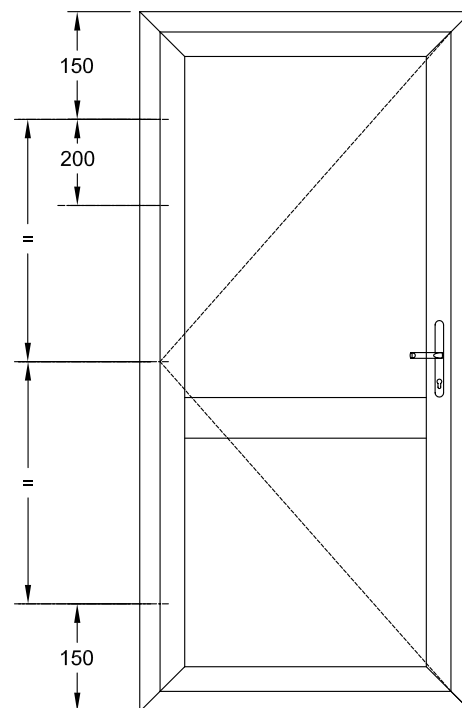
- 1-Fix 2no M5x10mm grub screws to sash frame clamp plate and slide into sash eurogroove to hinge position.
- 2-Locate hinge and clamp in position using 2no M5x10mm machine screws.
- 3-Fix sash to outer frame using clamp plates and fit M 5x15mm c/sk machine screws and adjust for correct operation.
- 4-If the sash requires adjustment after the door has been glazed this can be achieved by loosening the clamp plate machine screws, adjusting the sash height and tightening the clamp plates.

Notes:

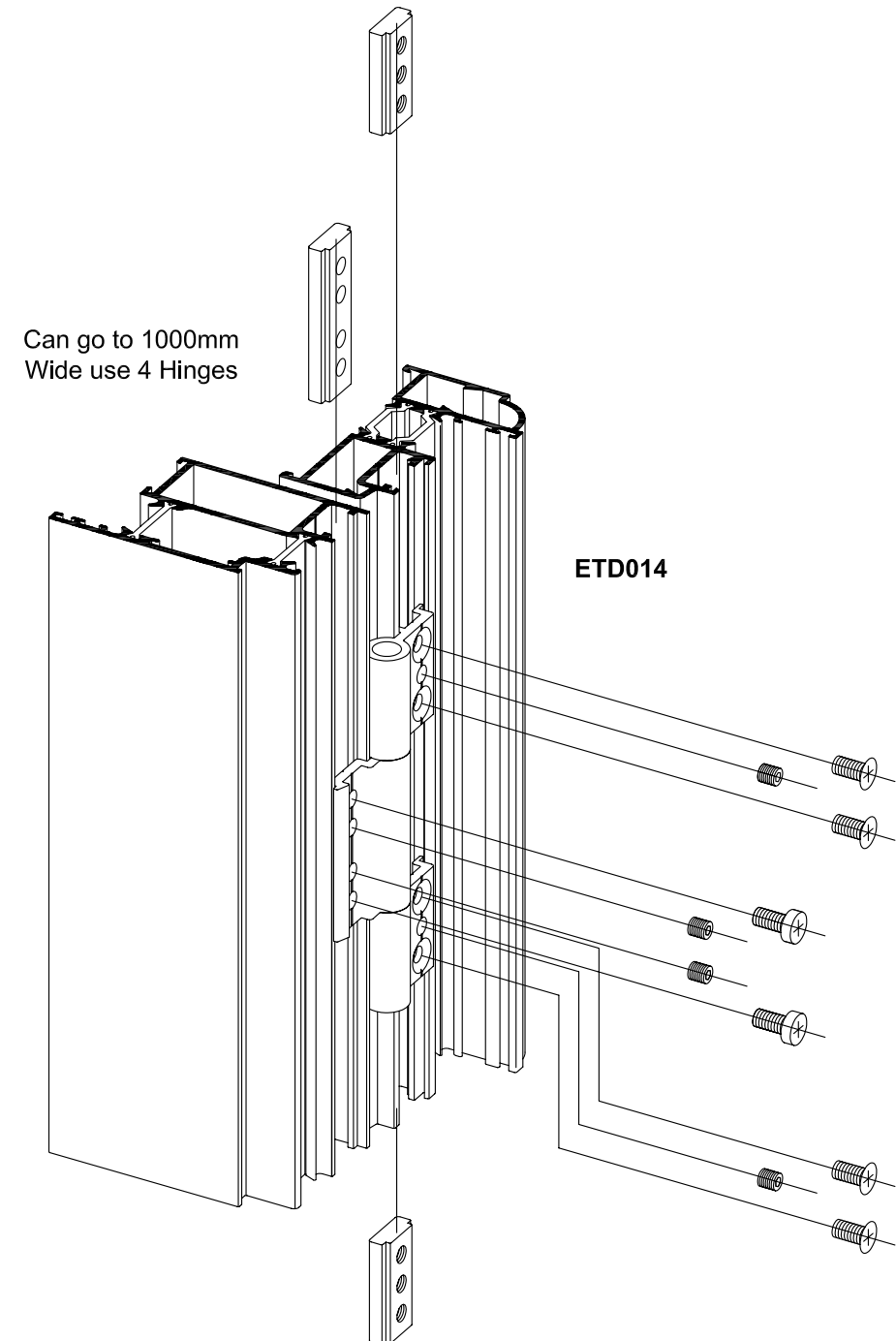
- 1-Maximum Door Weight-Polyamid Profile
Domestic Houses-70Kg based on 3no hinges(1 top, 1-middle, 1 bottom). with 4no hinges(2 top, 1 middle, 1 bottom) 10Kg can be added to the above weight limits.
- 2-Door Leaf Limits
Double door 1800 mm max (wide)



2100 MAX DOOR LEAF <70Kg MAX



2100-2400 MAX DOOR LEAF>70Kg UPTO 80Kg max.



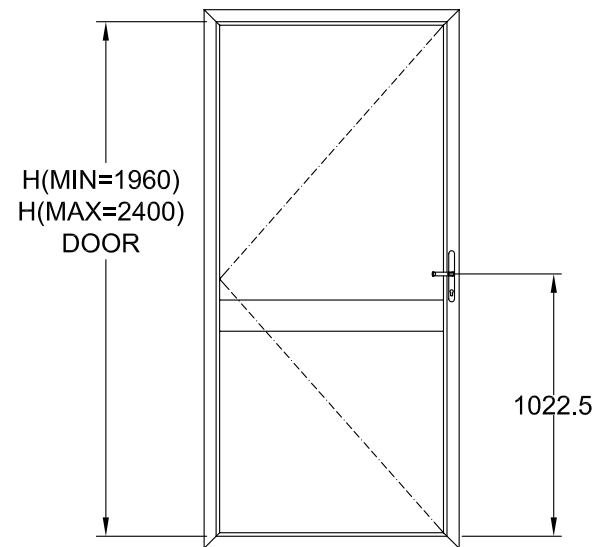
4a

Open Out - Min / Max Door Height

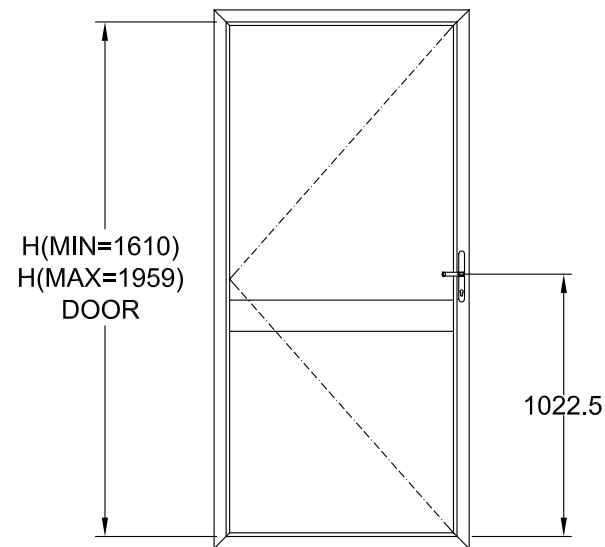
4a

SINGLE DOOR

NORMAL LOCK-ACET085 & ACET086

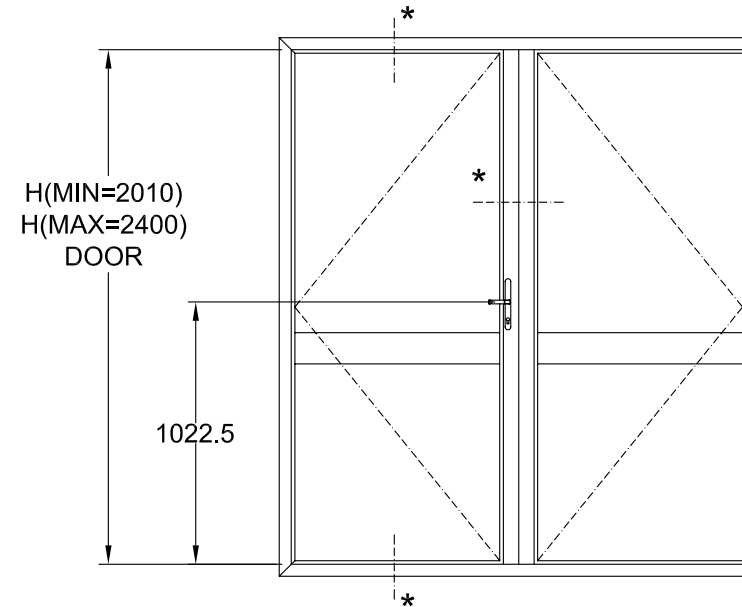


SMALL LOCK-ACET087 & ACET088

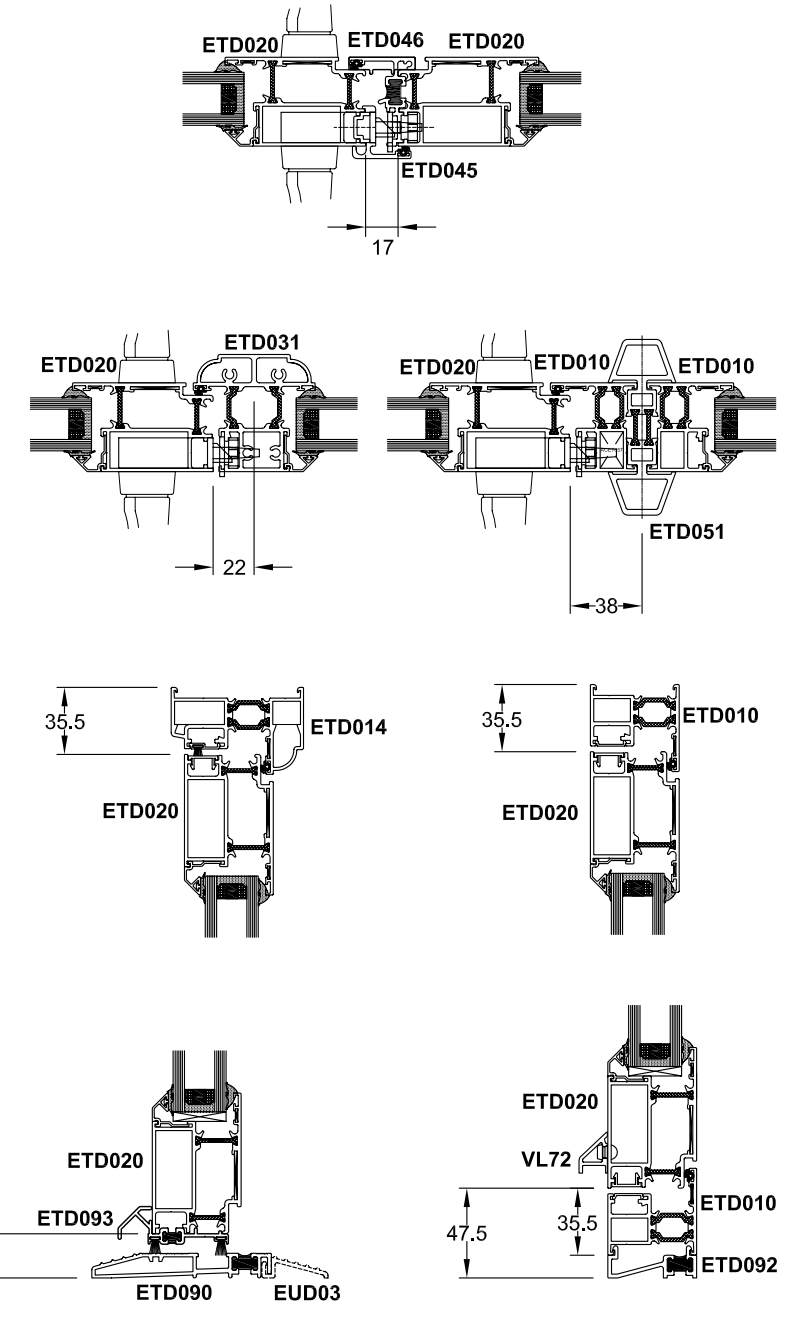
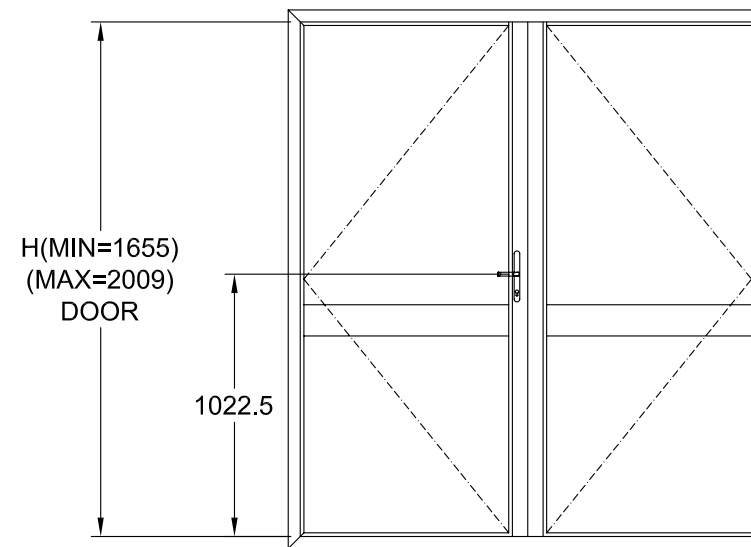


DOUBLE DOOR

NORMAL LOCK-ACET140 & ACET141



SMALL LOCK-ACET142 & ACET143

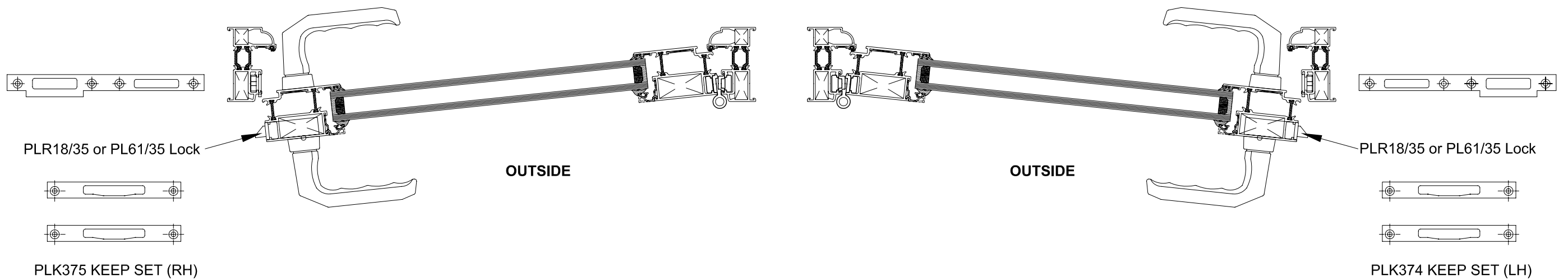
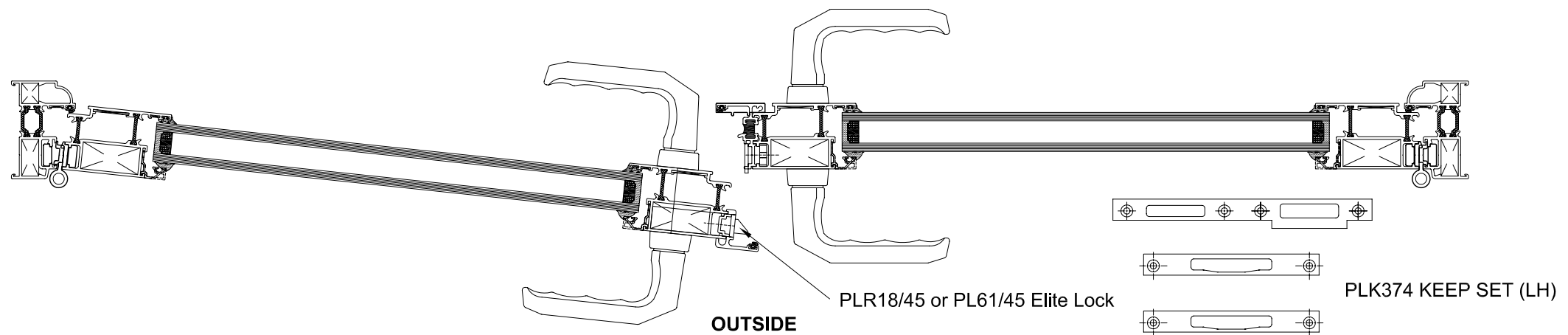
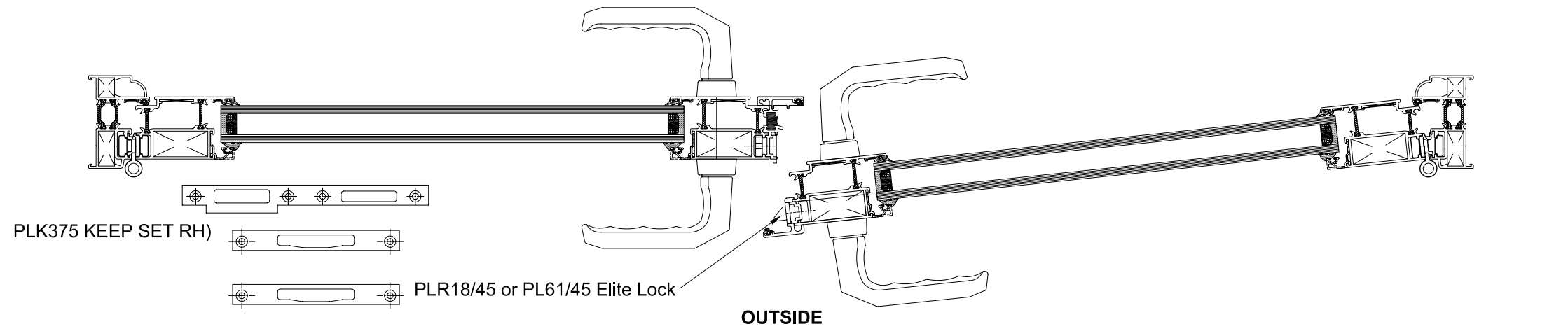


ADDITIONS *

4b

Open Out - Configuration

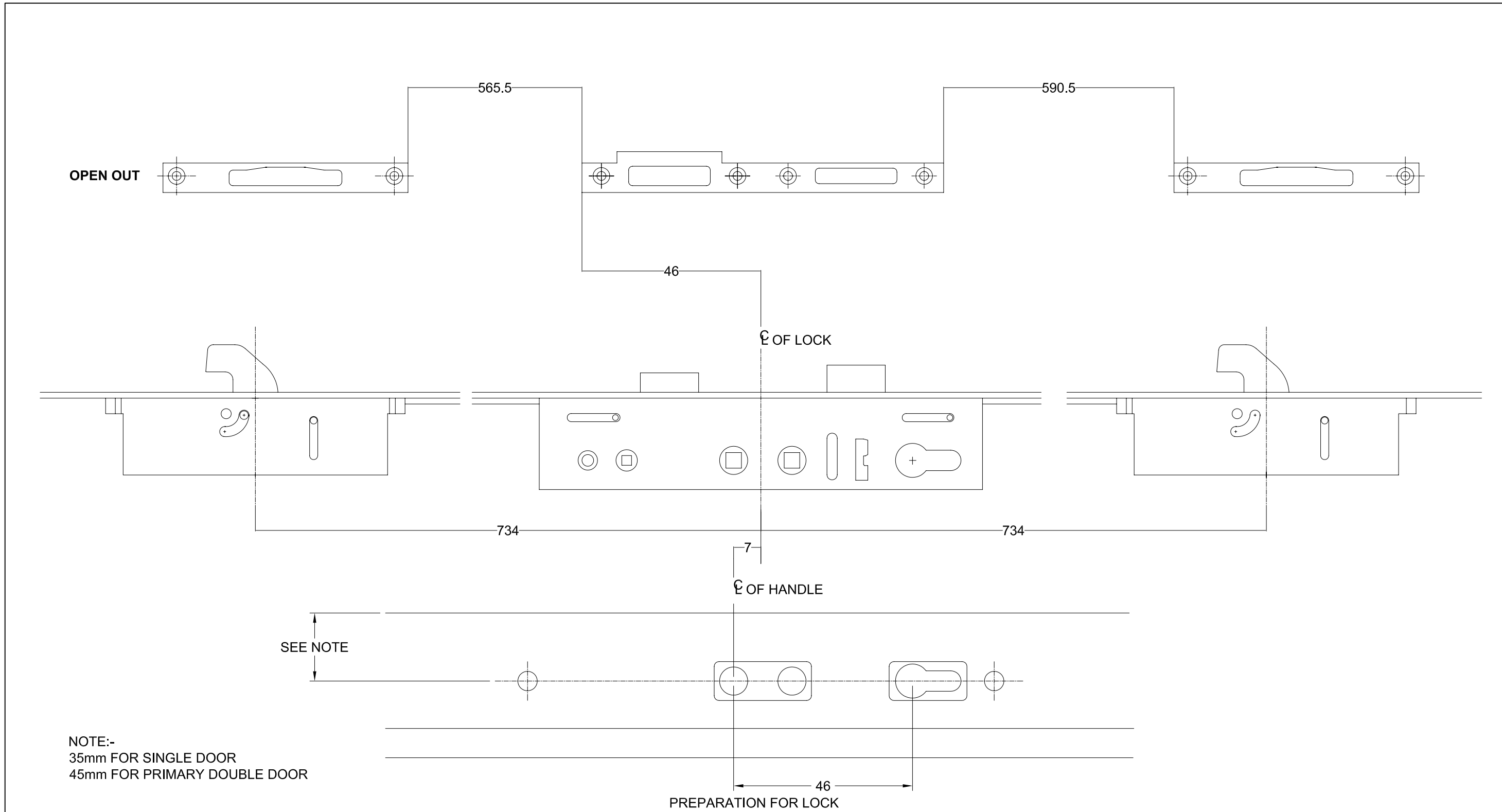
4b



4c

Open Out - Normal Lock

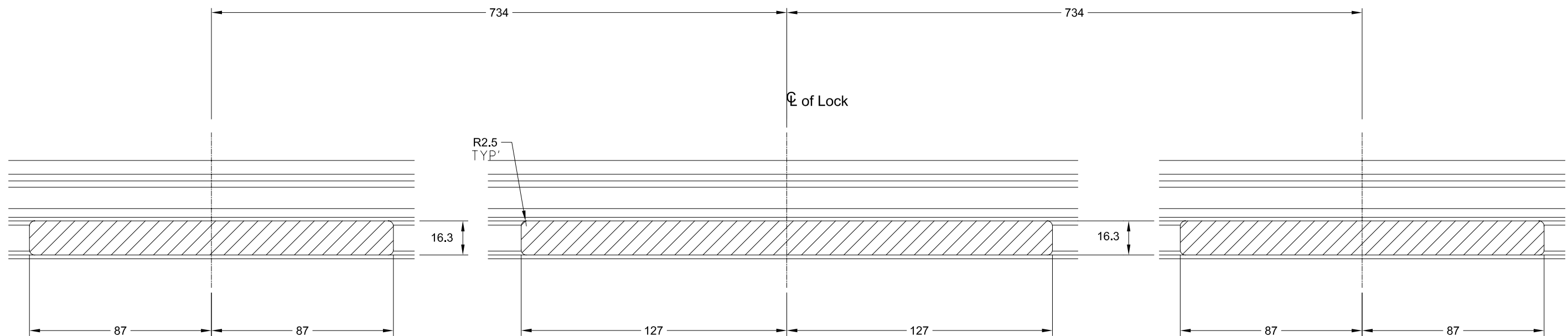
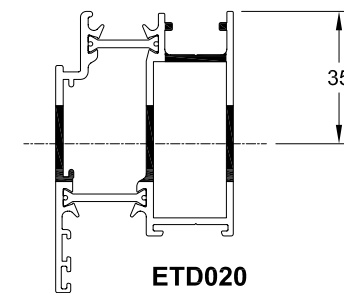
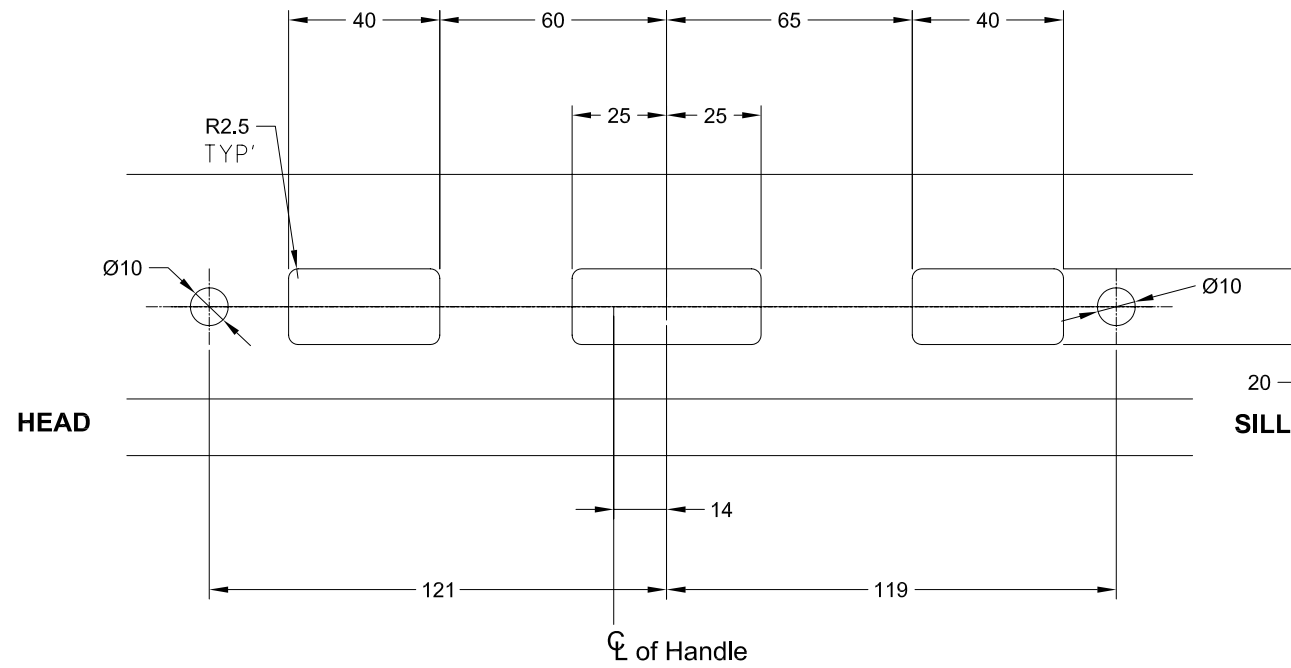
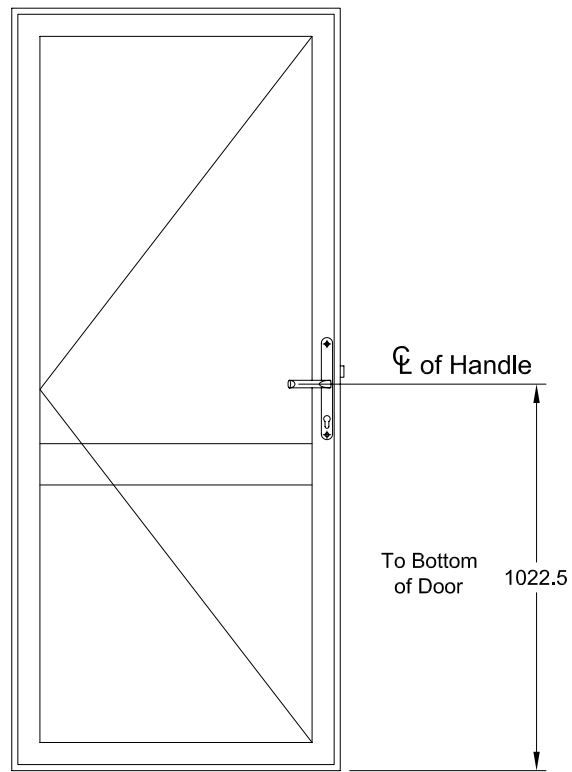
4c



4d

Open Out - Single Door (Normal Lock) 35mm Backset / Door Leaf Preparation

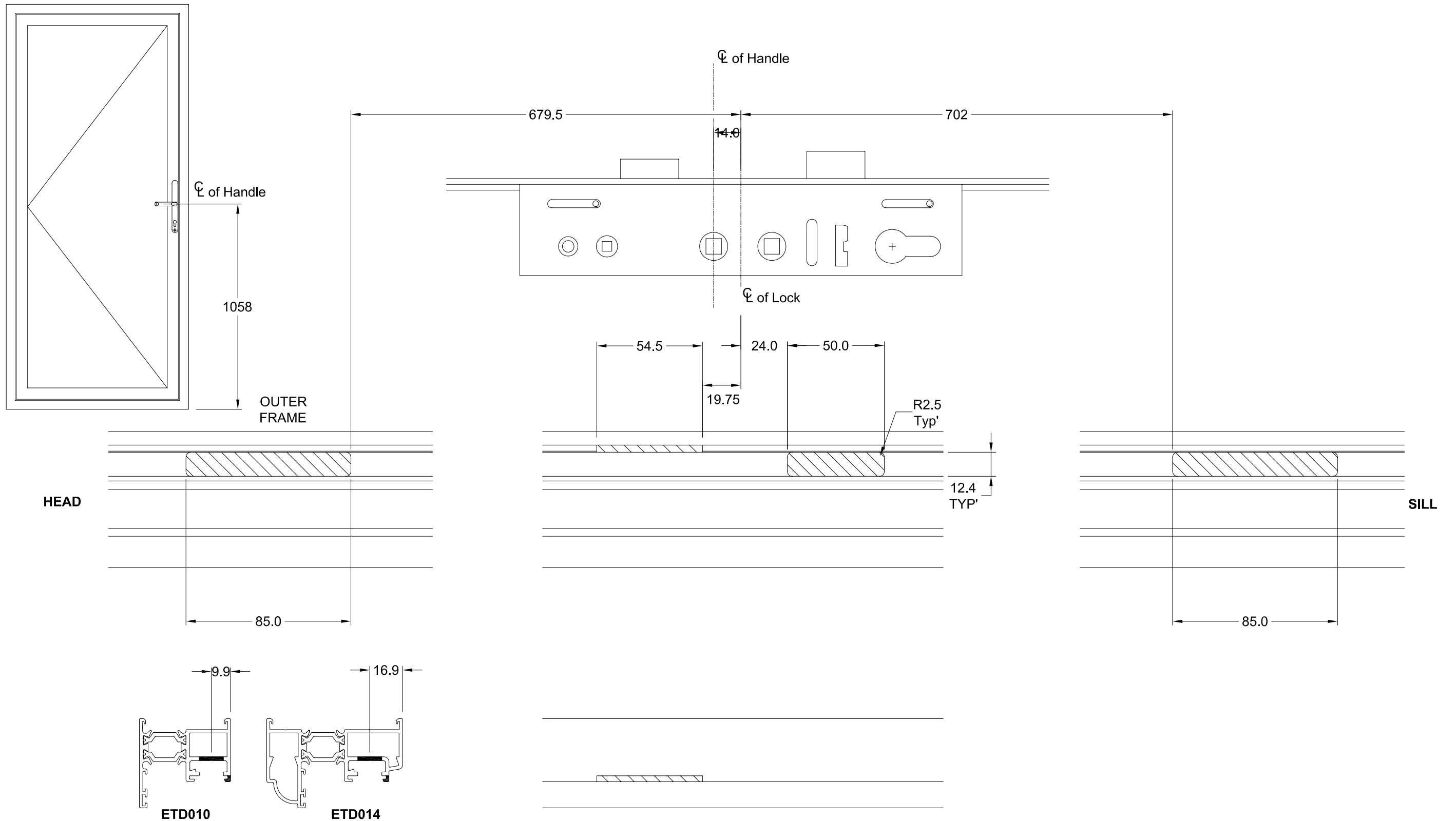
4d

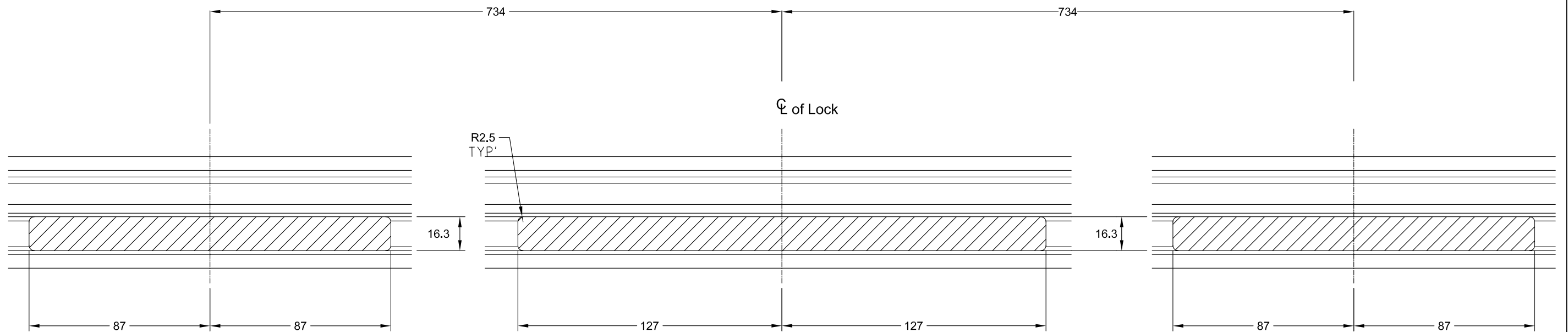
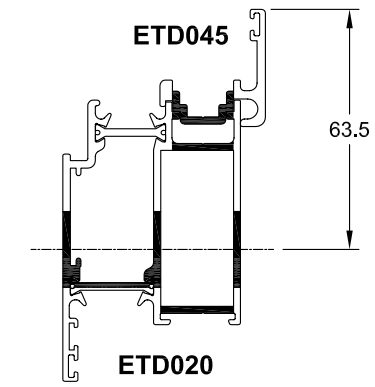
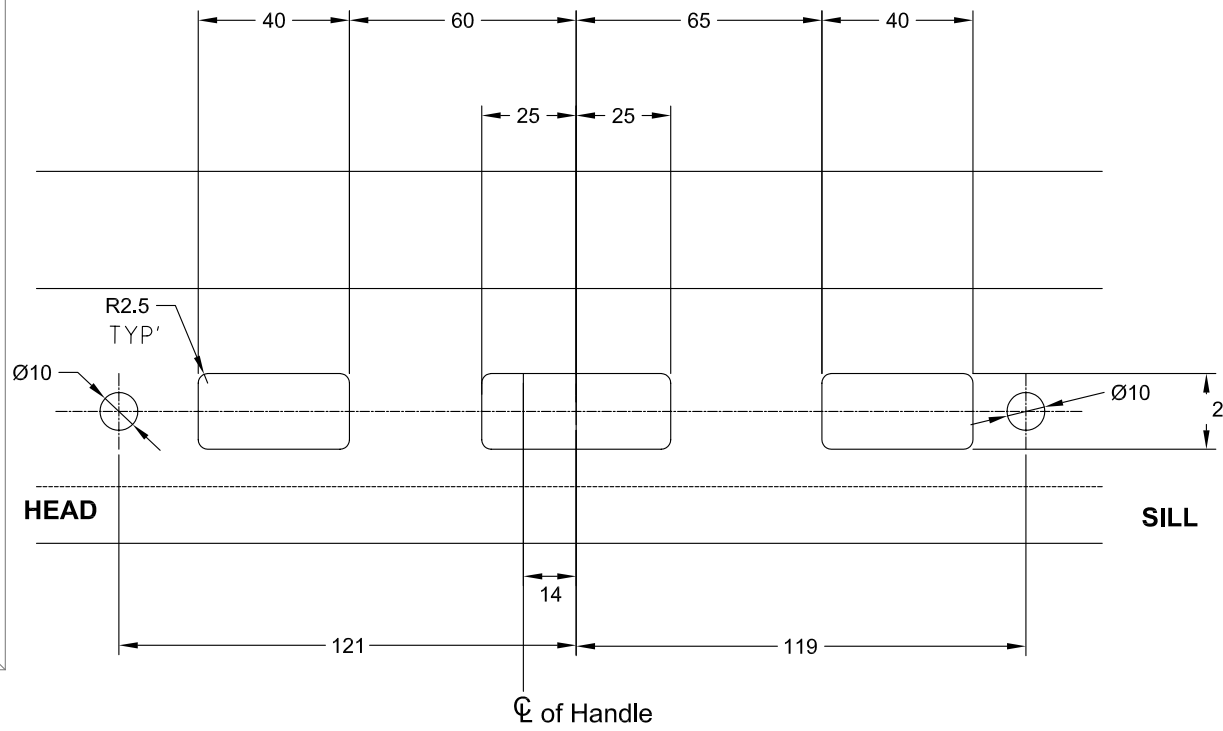
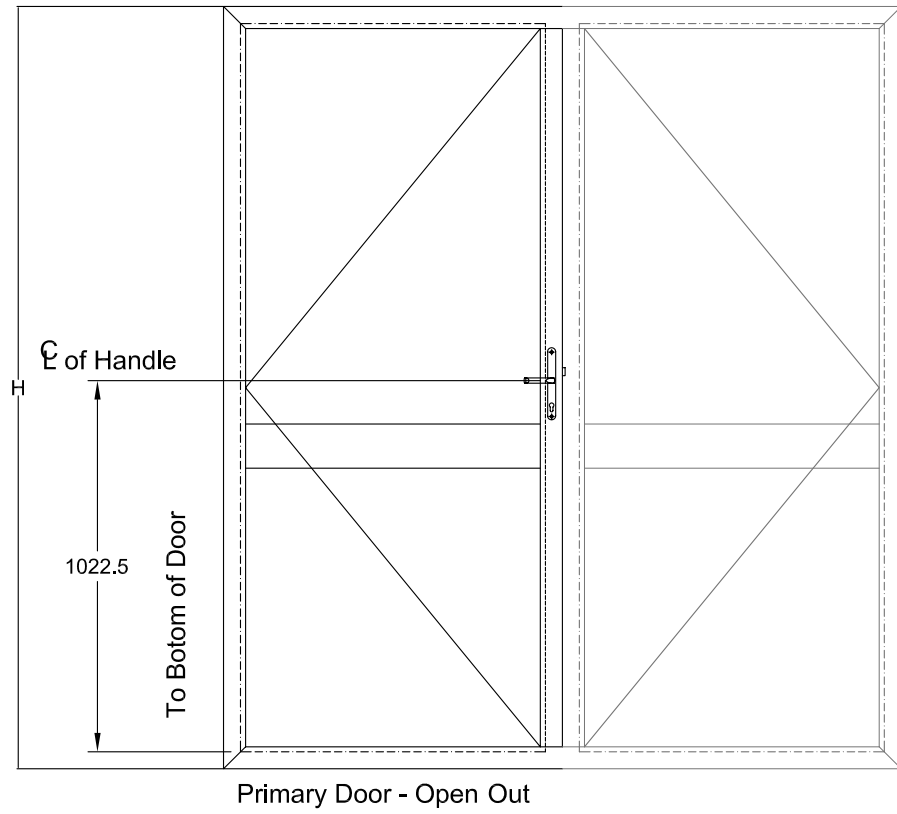


4e

Open Out - Single Door (Normal Lock) 35mm Backset / Outerframe Preparation

4e

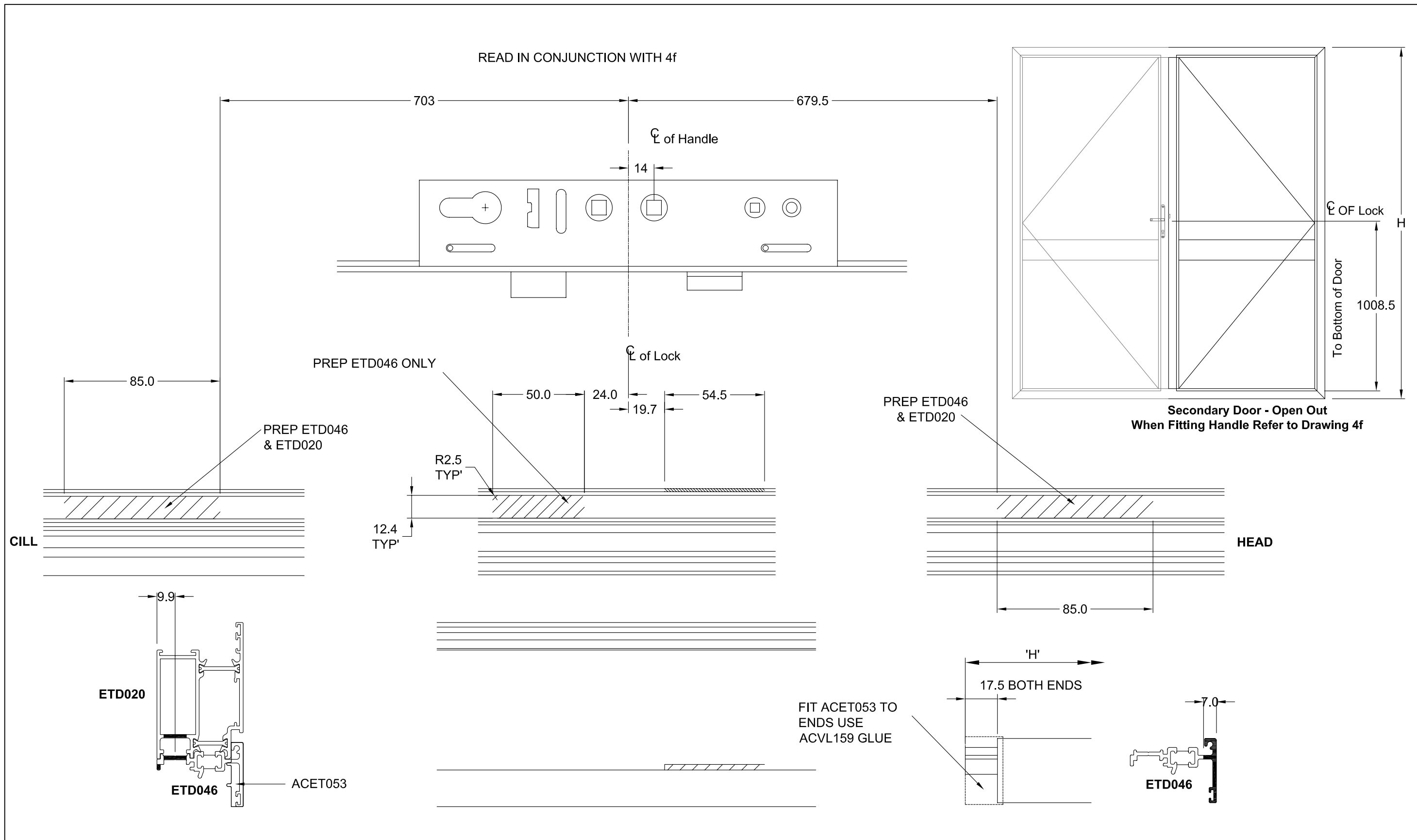




4g

Open Out - Double Door Secondary (Normal Lock) 45mm Backset/Door Leaf Preparation

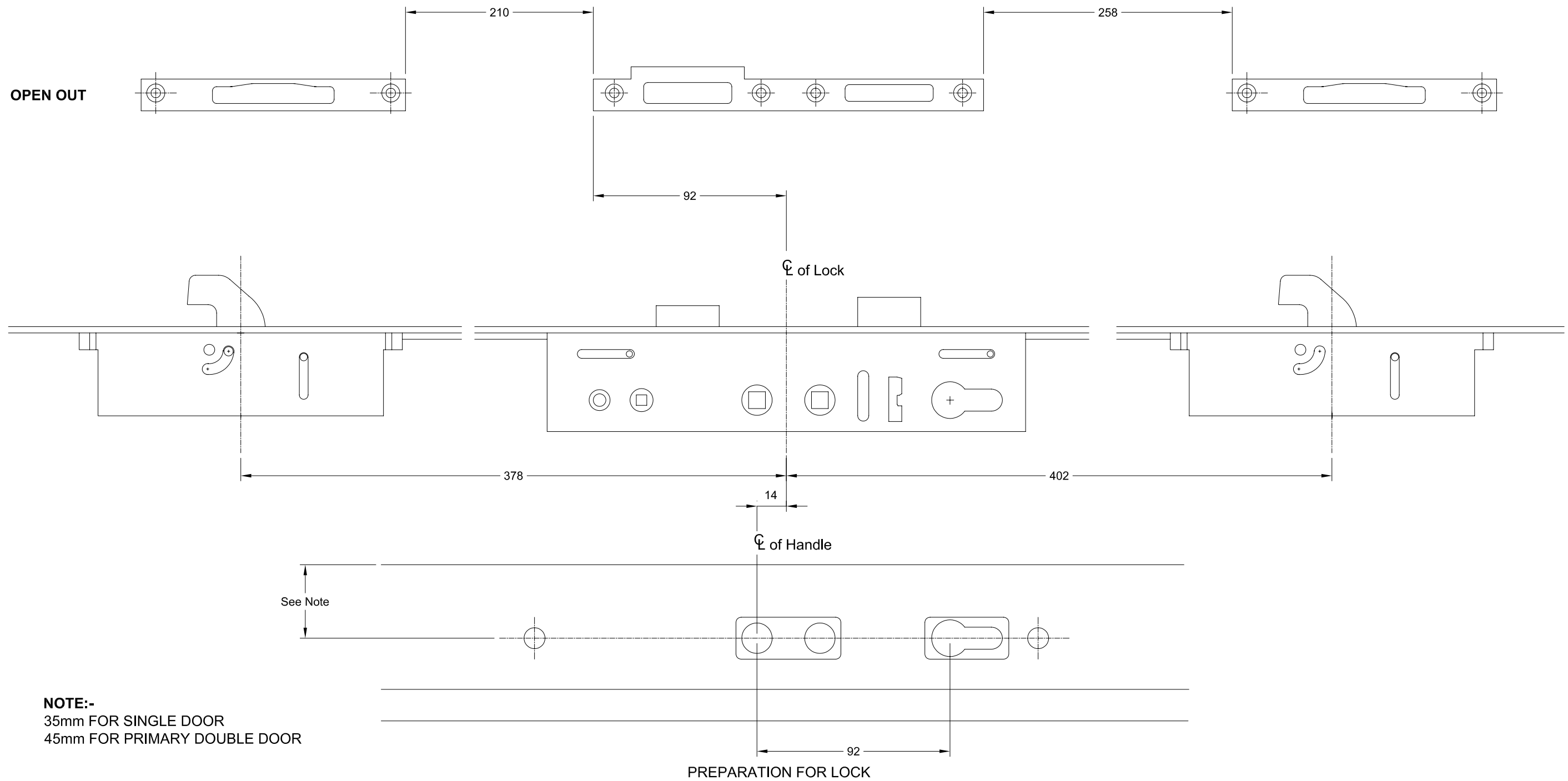
4g



4h

Open Out - Short Lock

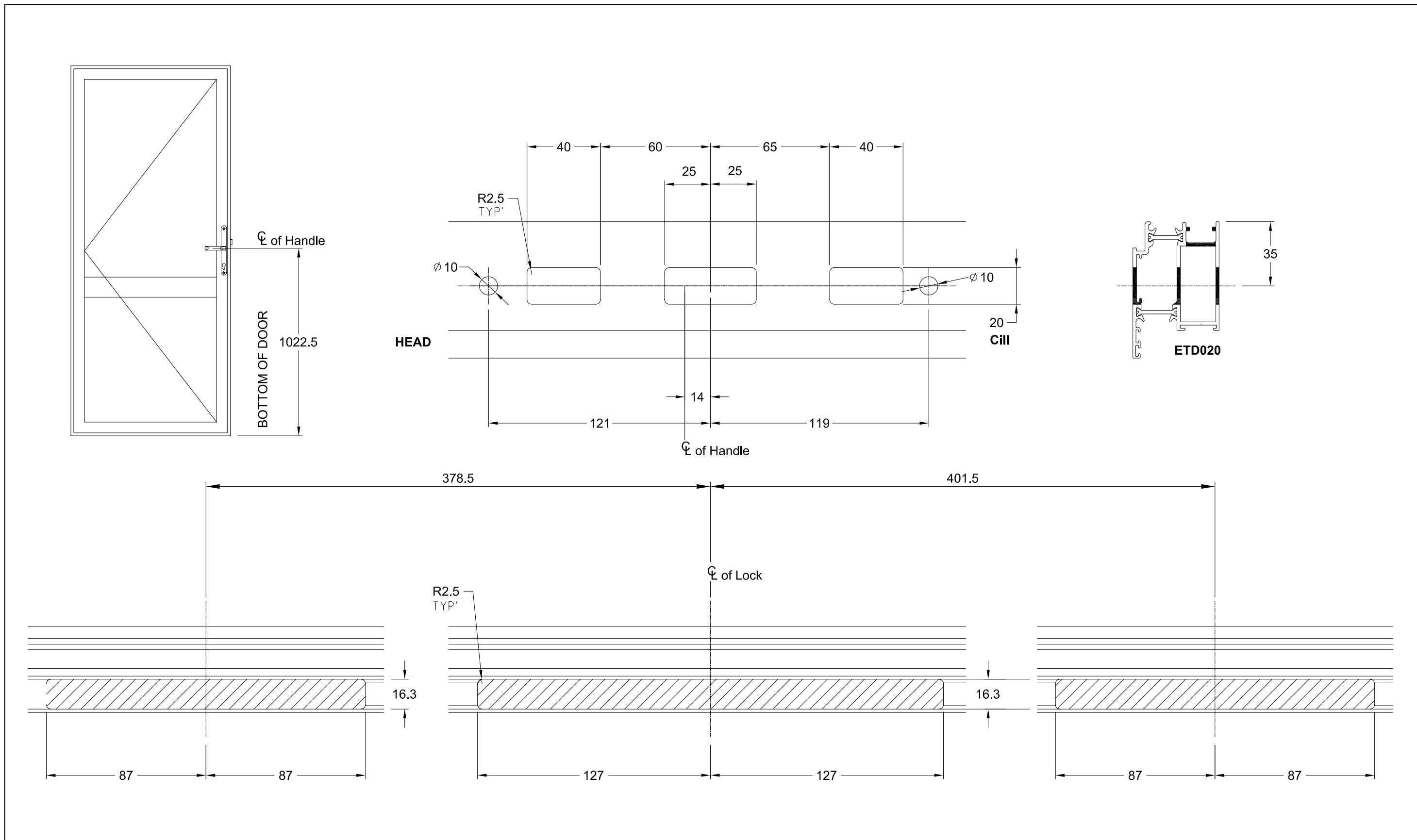
4h



4j

Open Out - Single Door (Short Lock) 35mm Backset Door Leaf Preparation

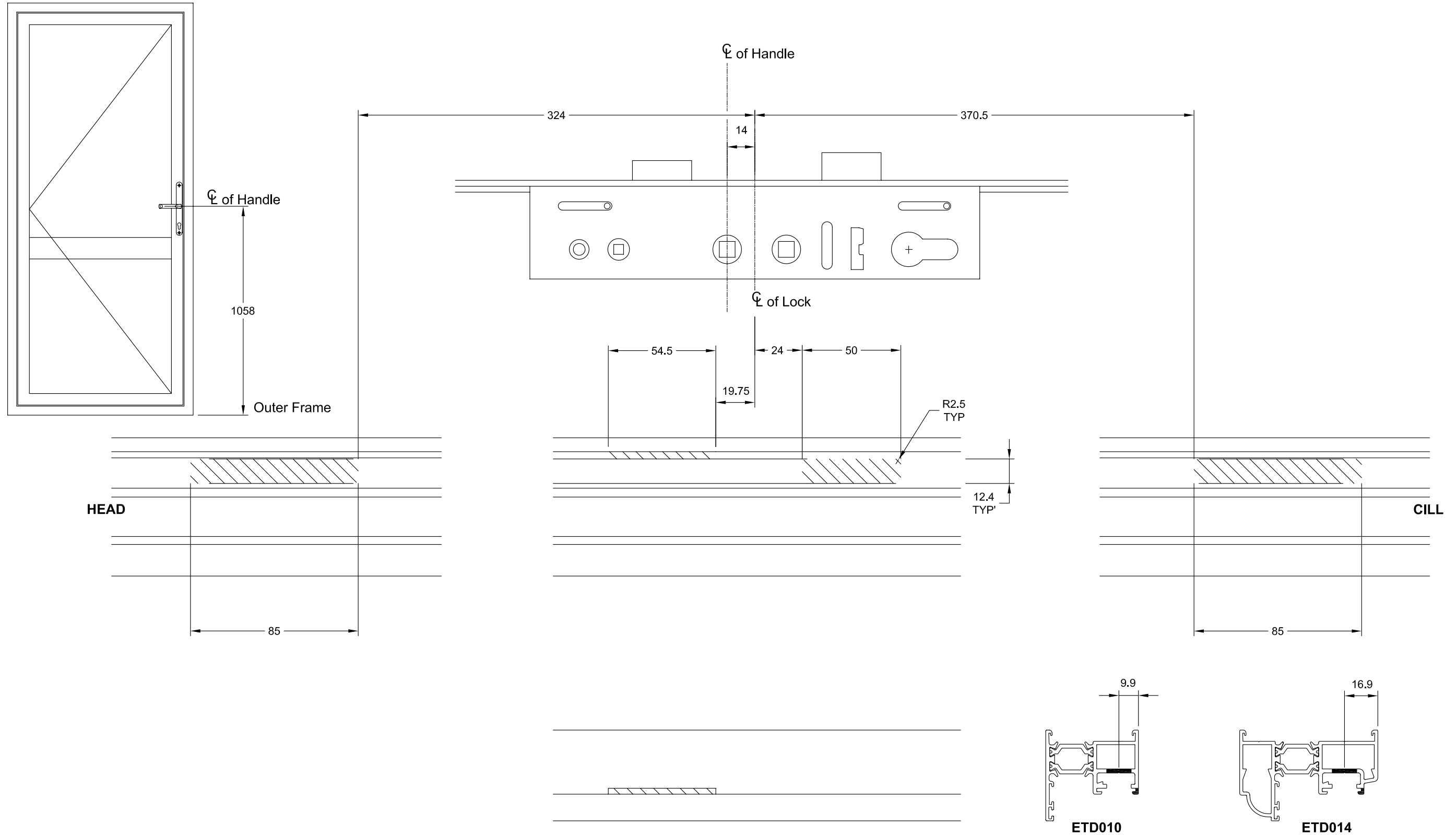
4j



4k

Open Out - Single Door (Short Lock) 35mm Backset/Outerframe Preparation

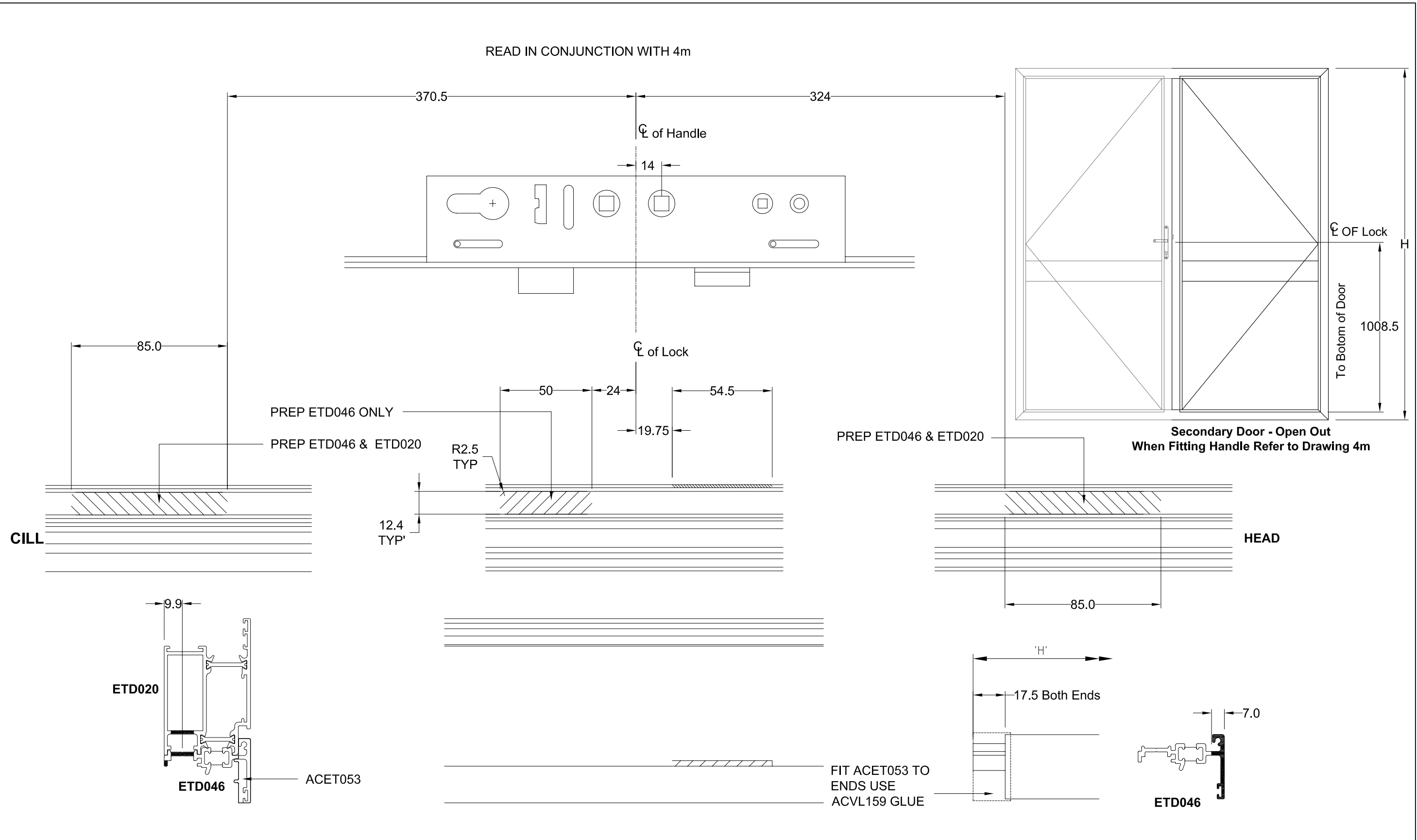
4k



4L

Open Out - Double Door Secondary (Short Lock) 45mm backset / Door Leaf Preparation

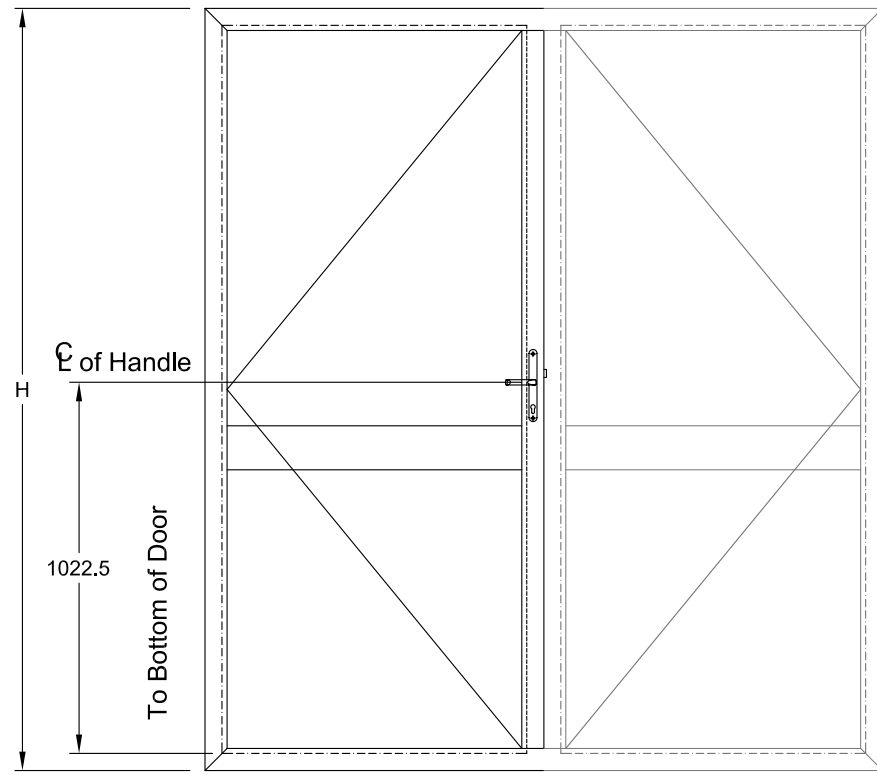
4L



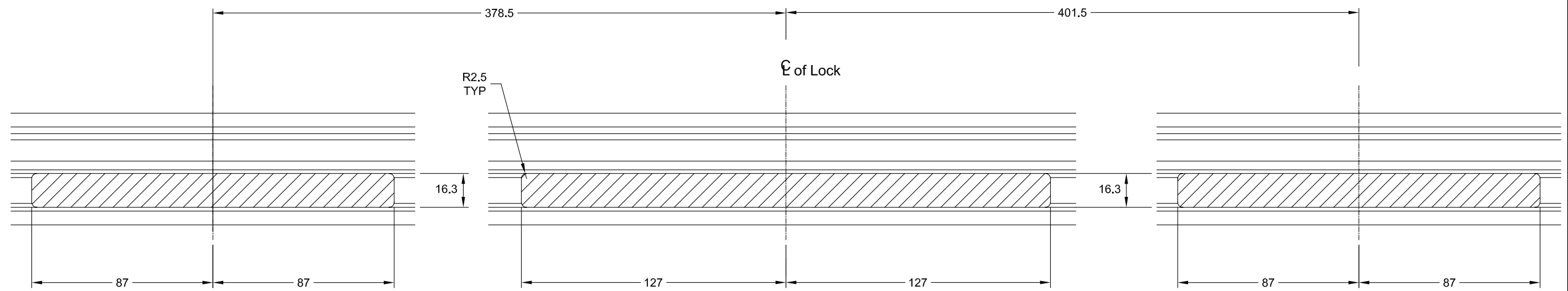
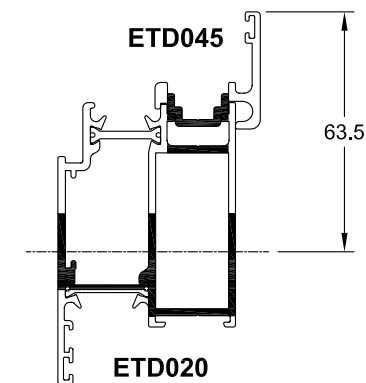
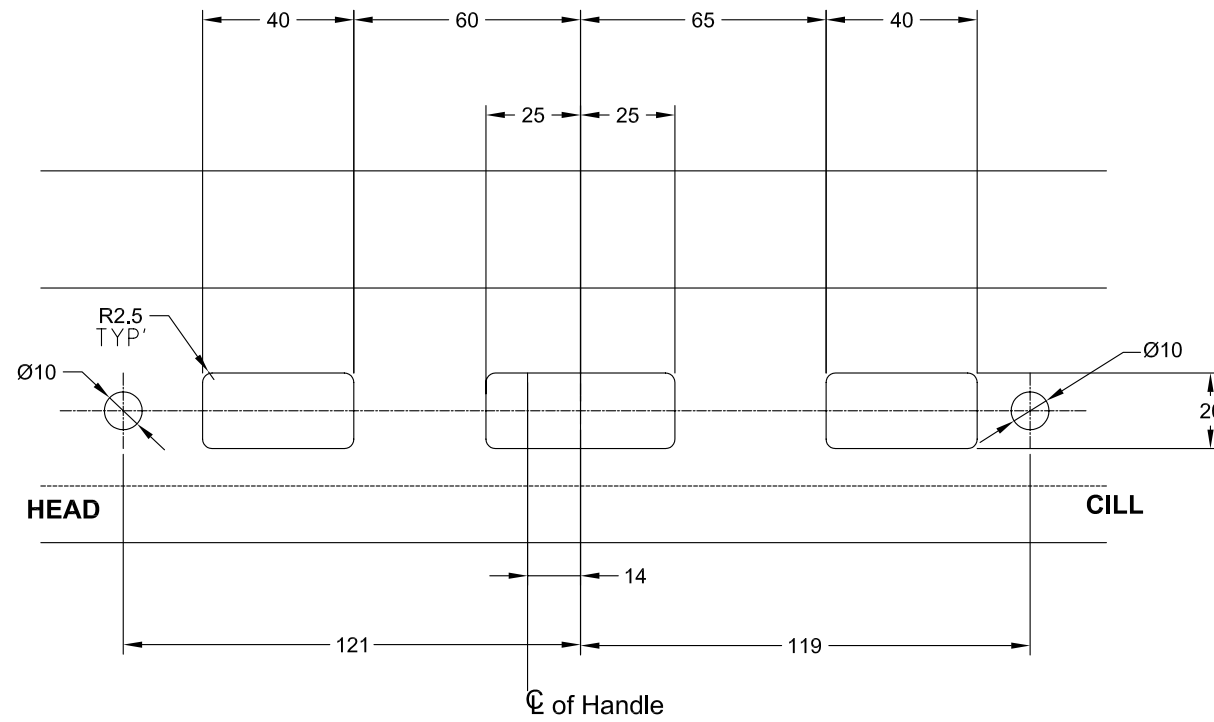
4m

Open Out - Double Door Primary (Short Lock) 45mm Backset / Door Leaf Preparation

4m



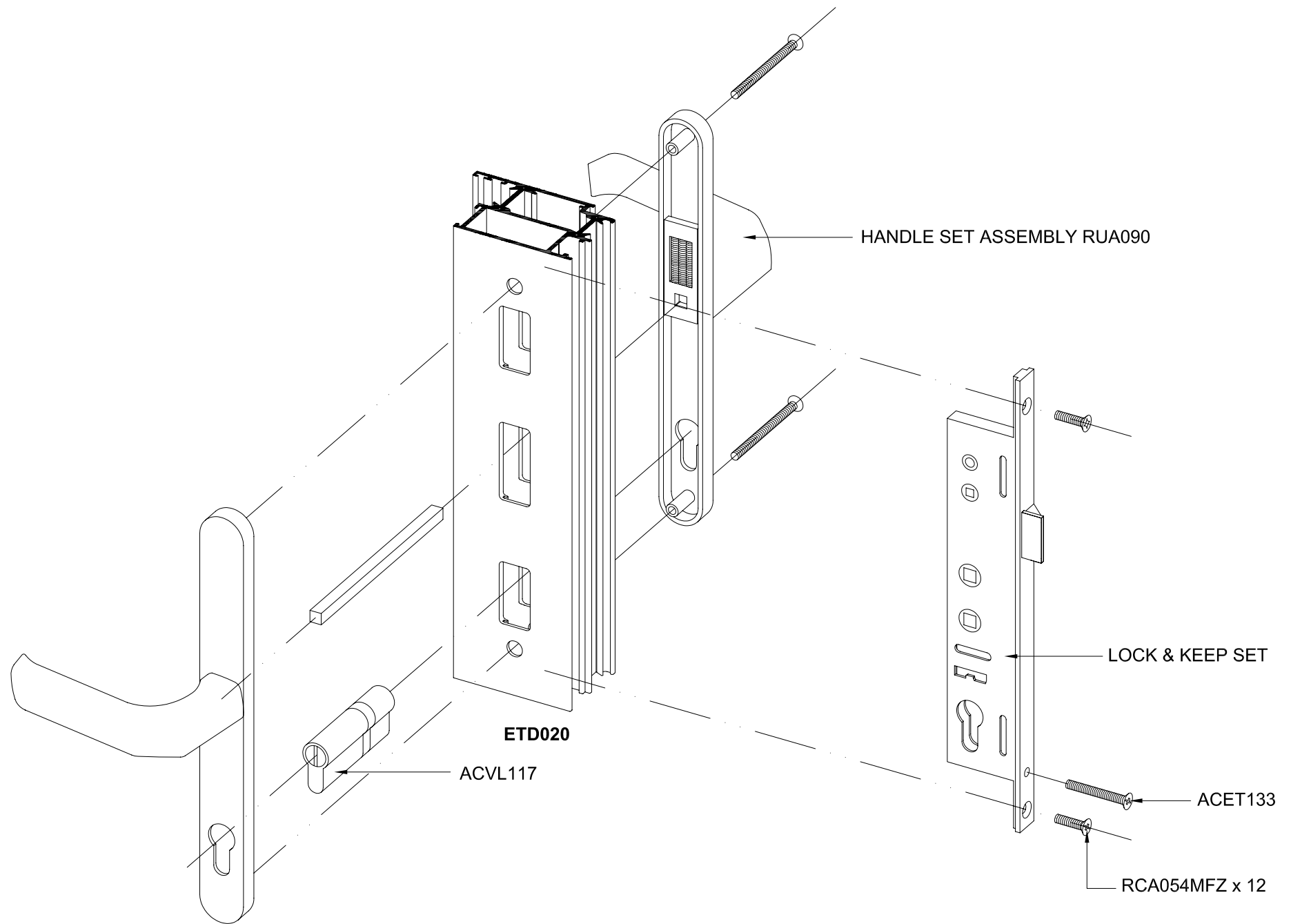
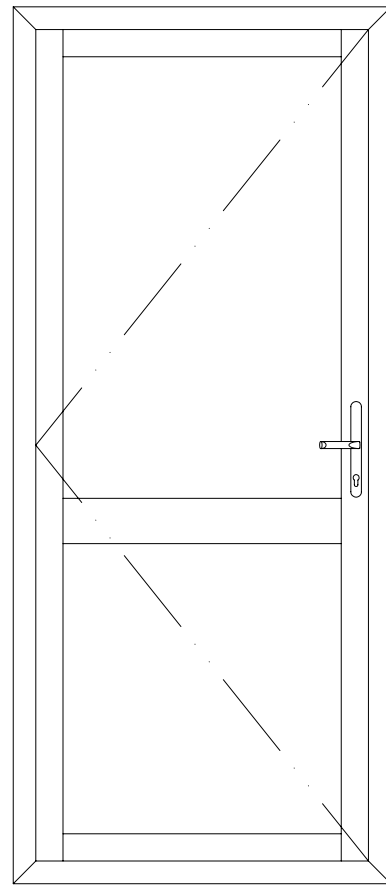
Primary Door - Open Out

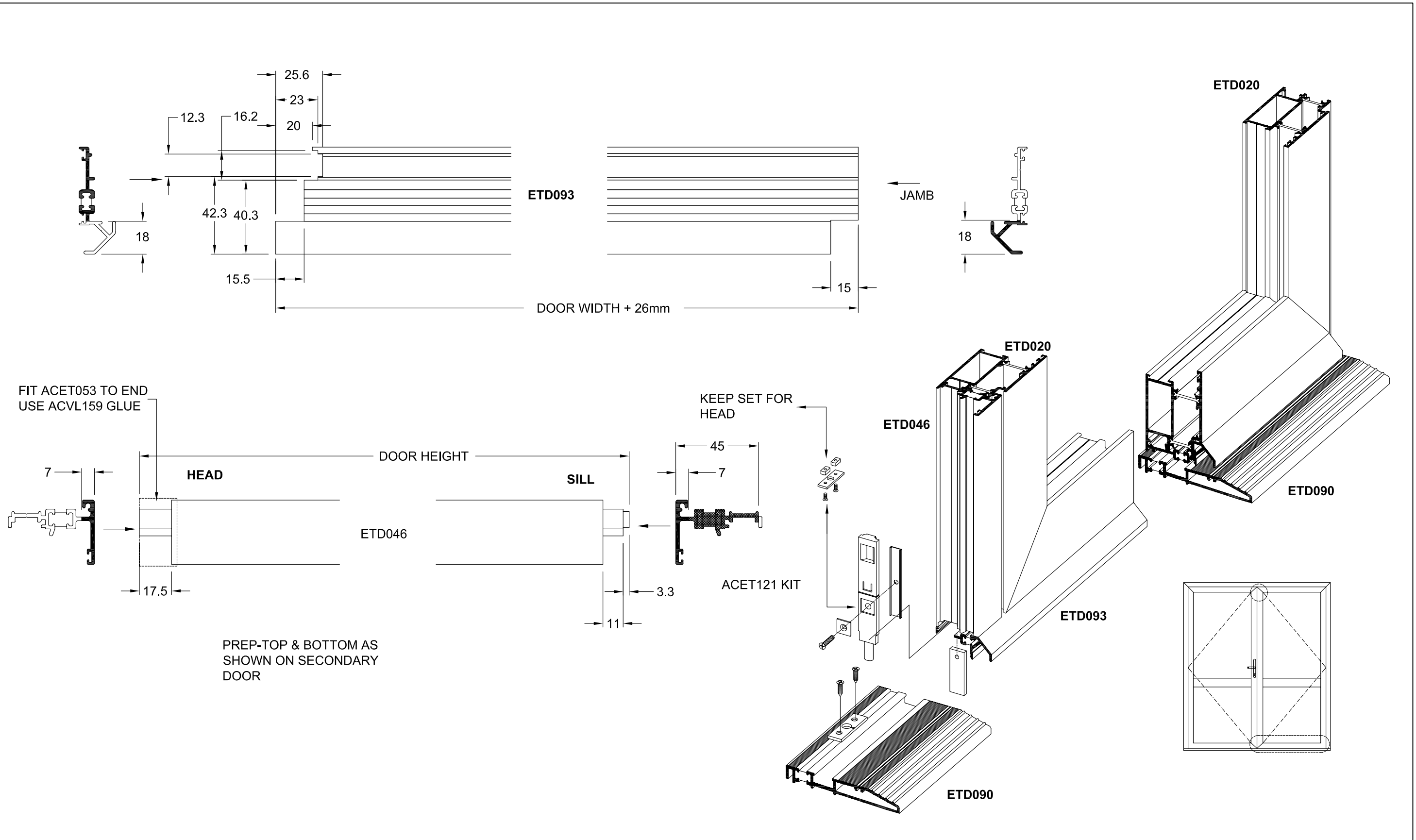


4n

Open Out - Lock & Keep Set

4n

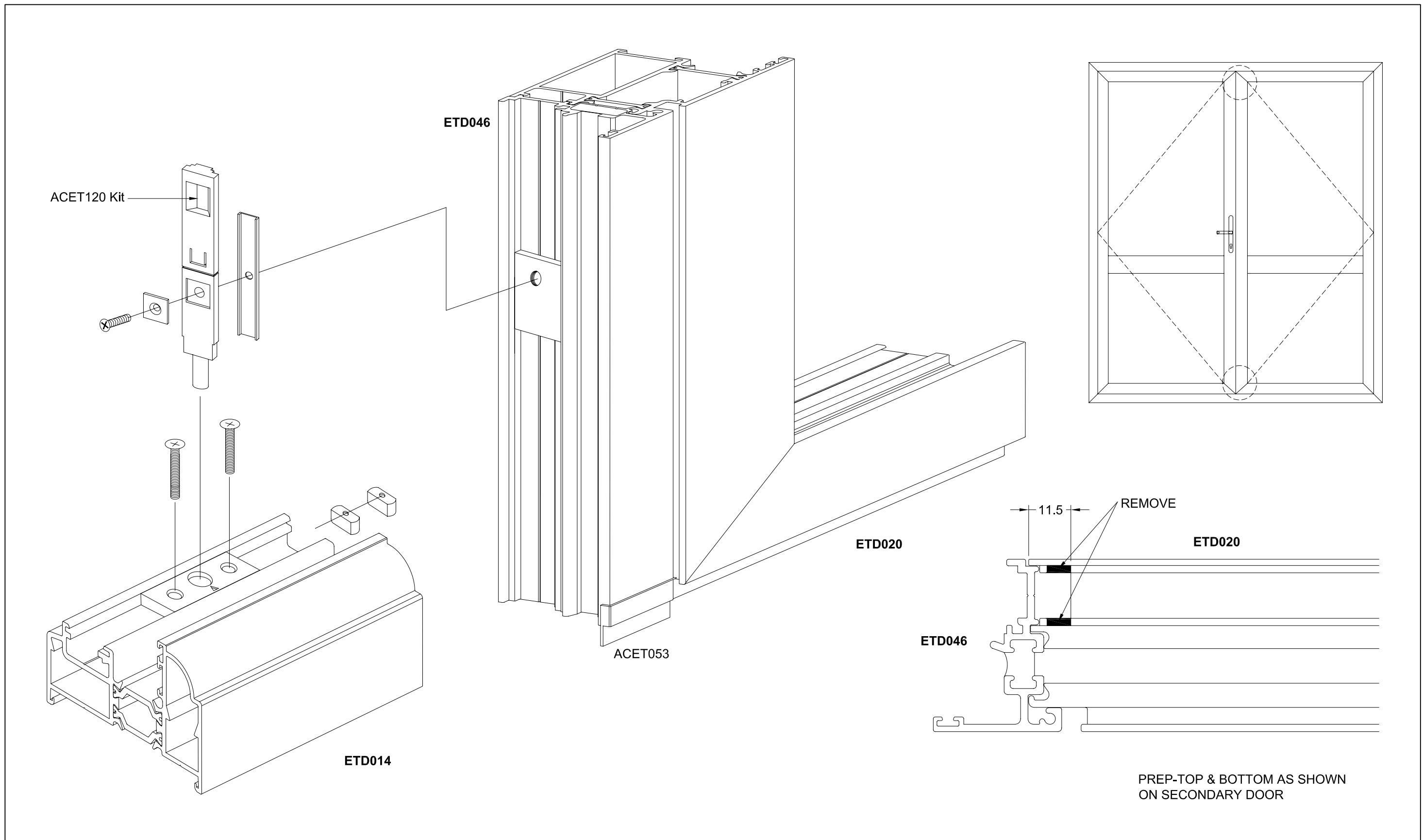




4q

Open Out - Double Door Secondary - Prep Top & Bottom as Shown on Secondary Door

4q

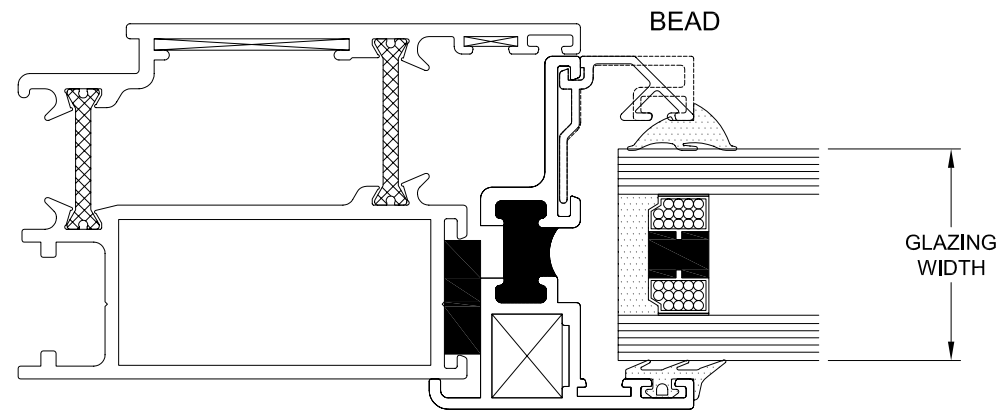


5a

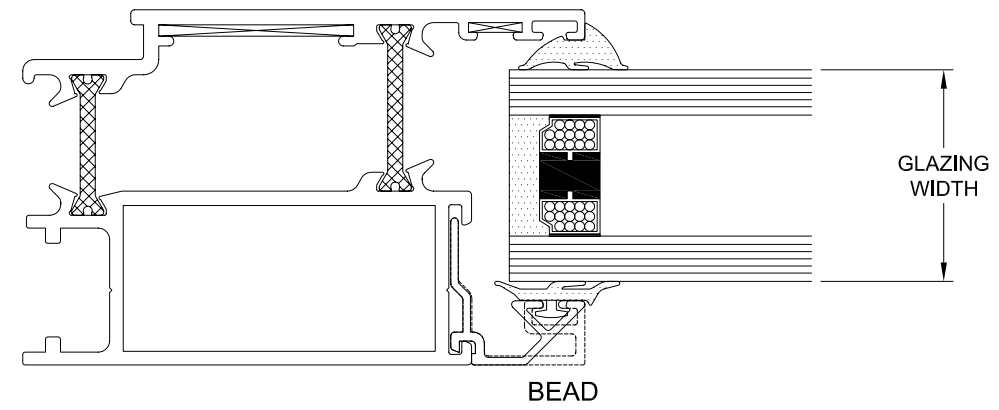
Open Out - Glazing Preparation

5a

INTERNALLY BEADED

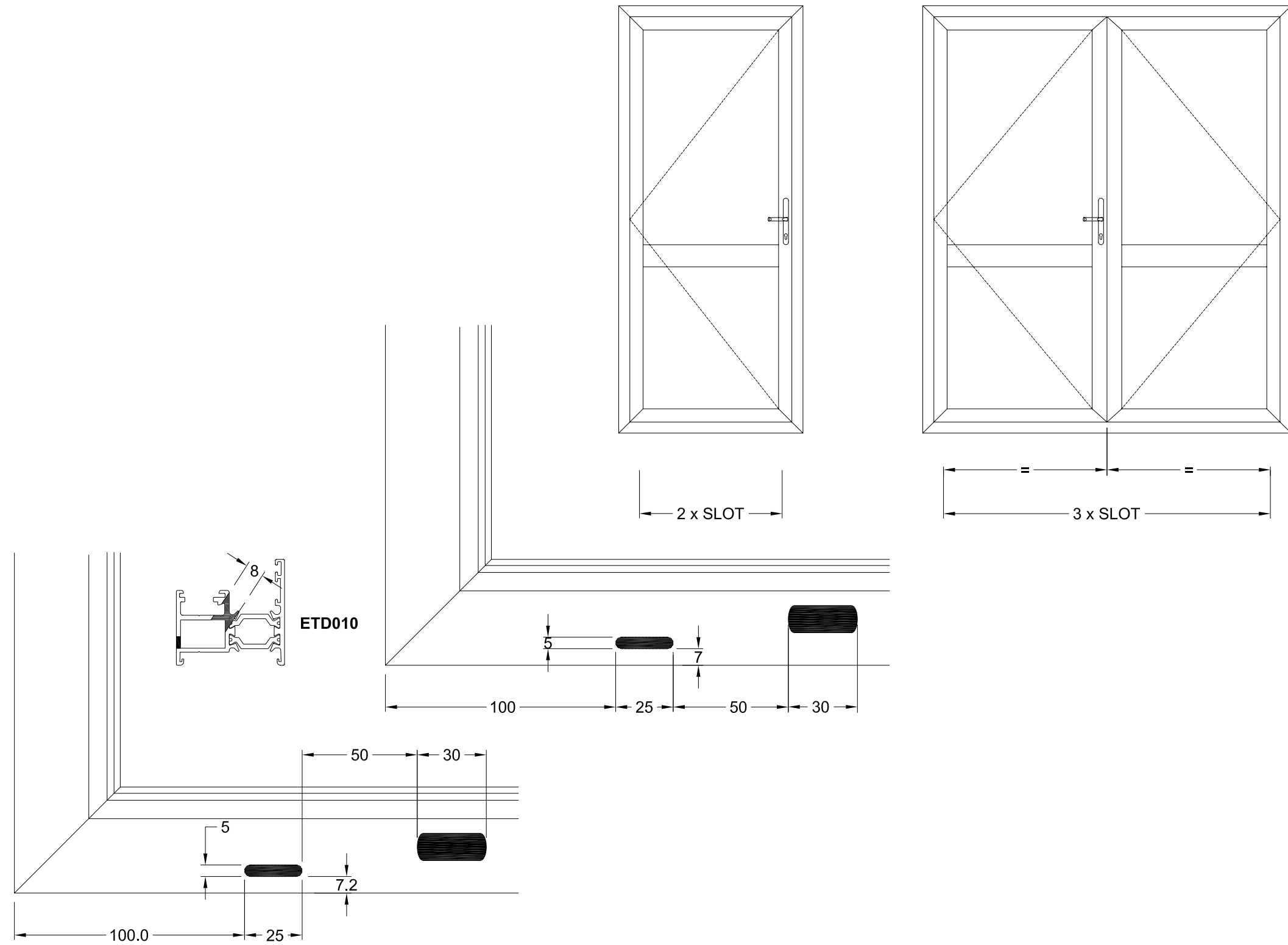


EXTERNALLY BEADED

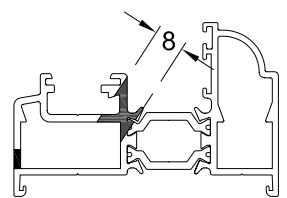


24mm		28mm		32mm	
BEADS	SEALS	BEADS	SEALS	BEADS	SEALS
ETC162	ACVG31 ACVG34	ETC161	ACVG31 ACVG34	ETC160	ACVG31 ACVG34
ETC163	ACVG31 ACVG34	ETC164	ACVG31 ACVG34		

24mm		28mm		32mm	
BEADS	SEALS	BEADS	SEALS	BEADS	SEALS
ETC162	ACVG31 ACVG34	ETC161	ACVG31 ACVG34	ETC160	ACVG31 ACVG34
ETC163	ACVG34 ACET035	ETC164	ACVG34 ACET035		



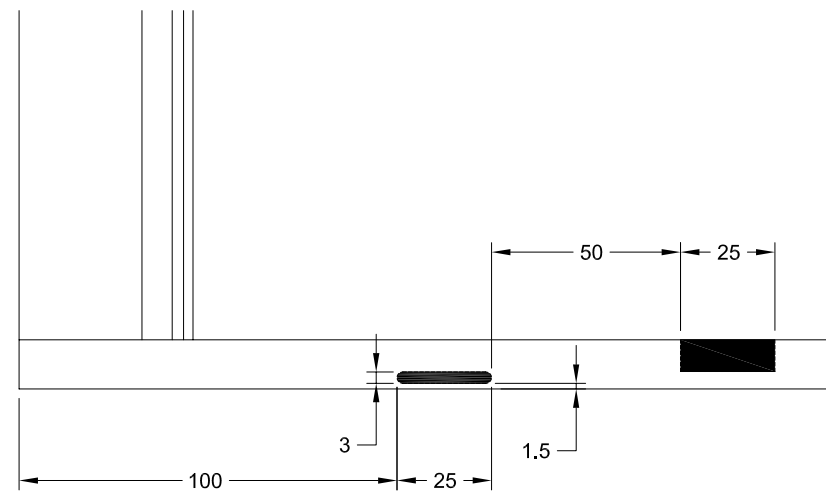
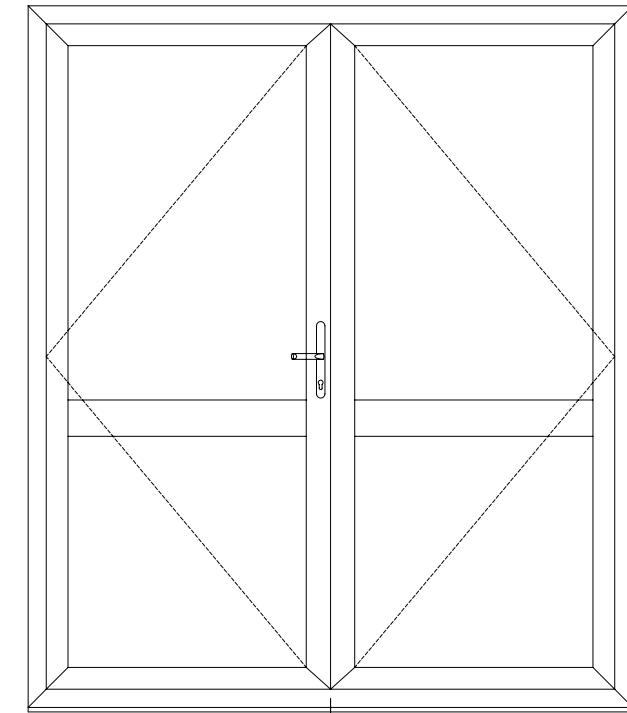
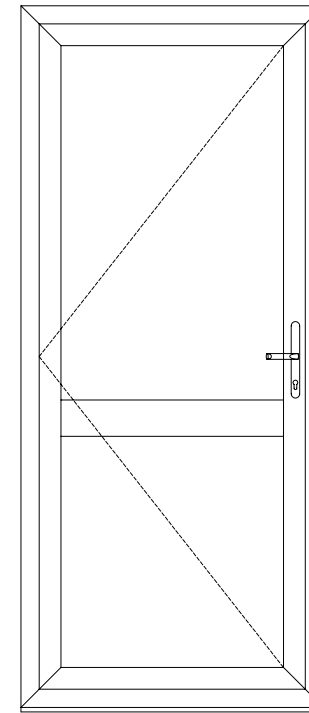
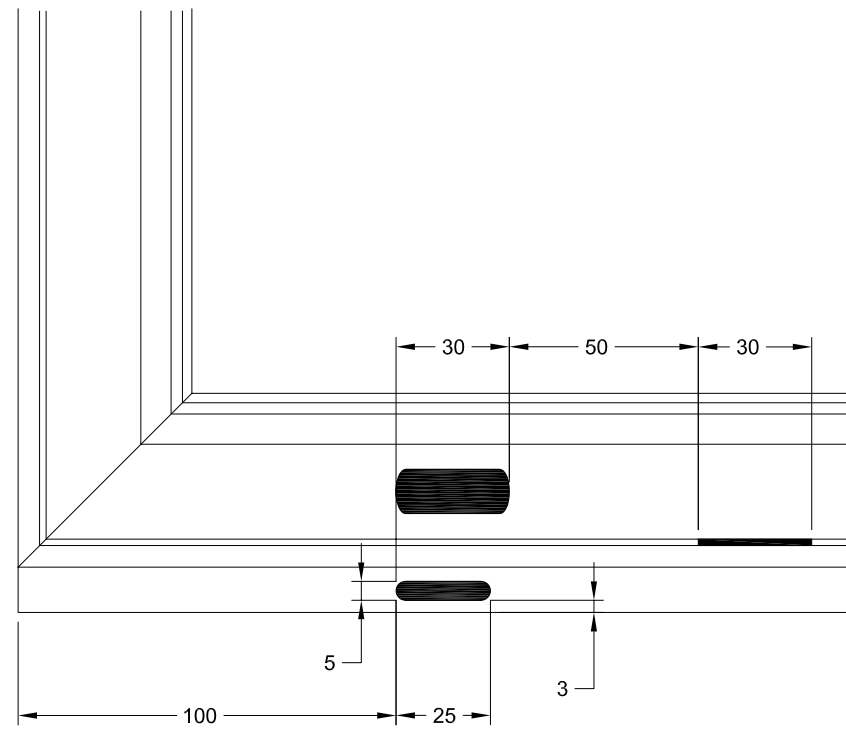
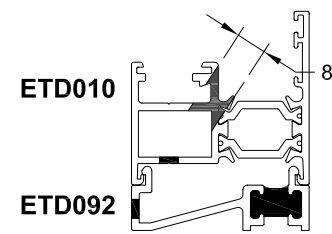
To ensure accuracy use recommended Drill Jig - ACET935

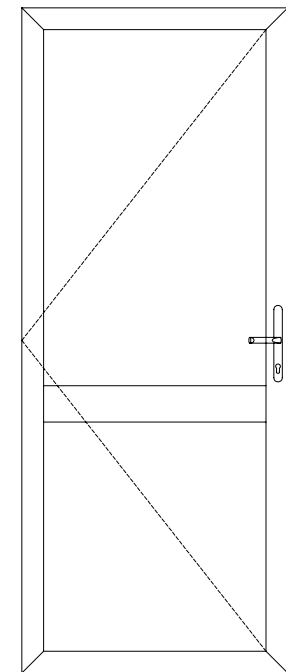
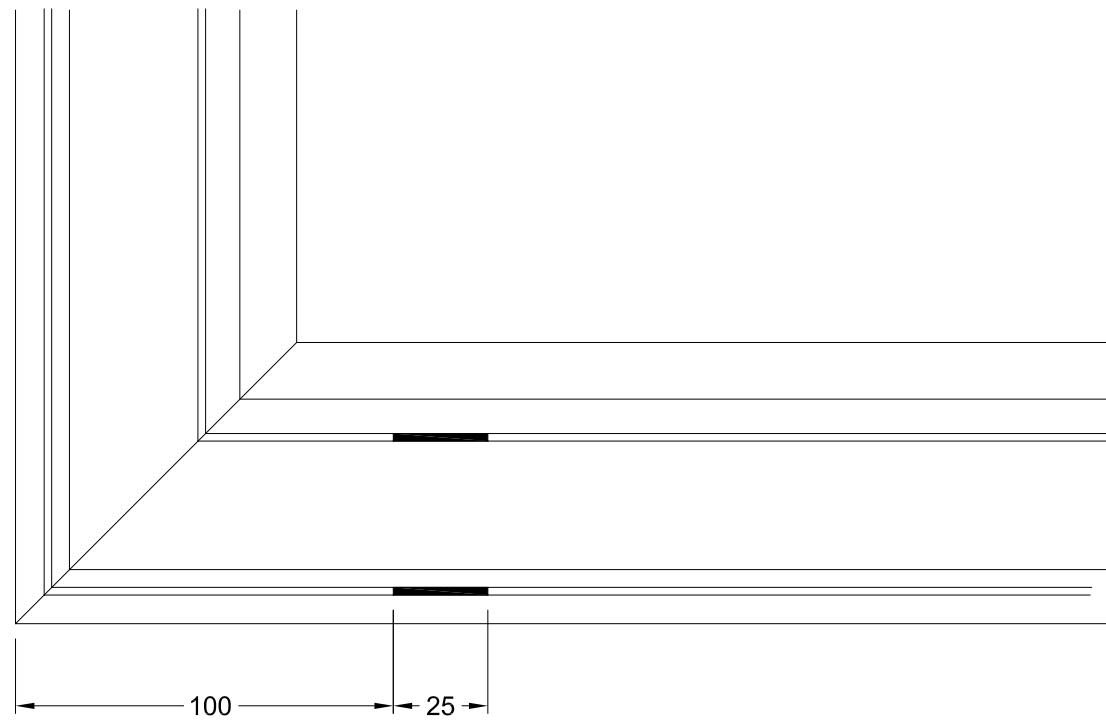
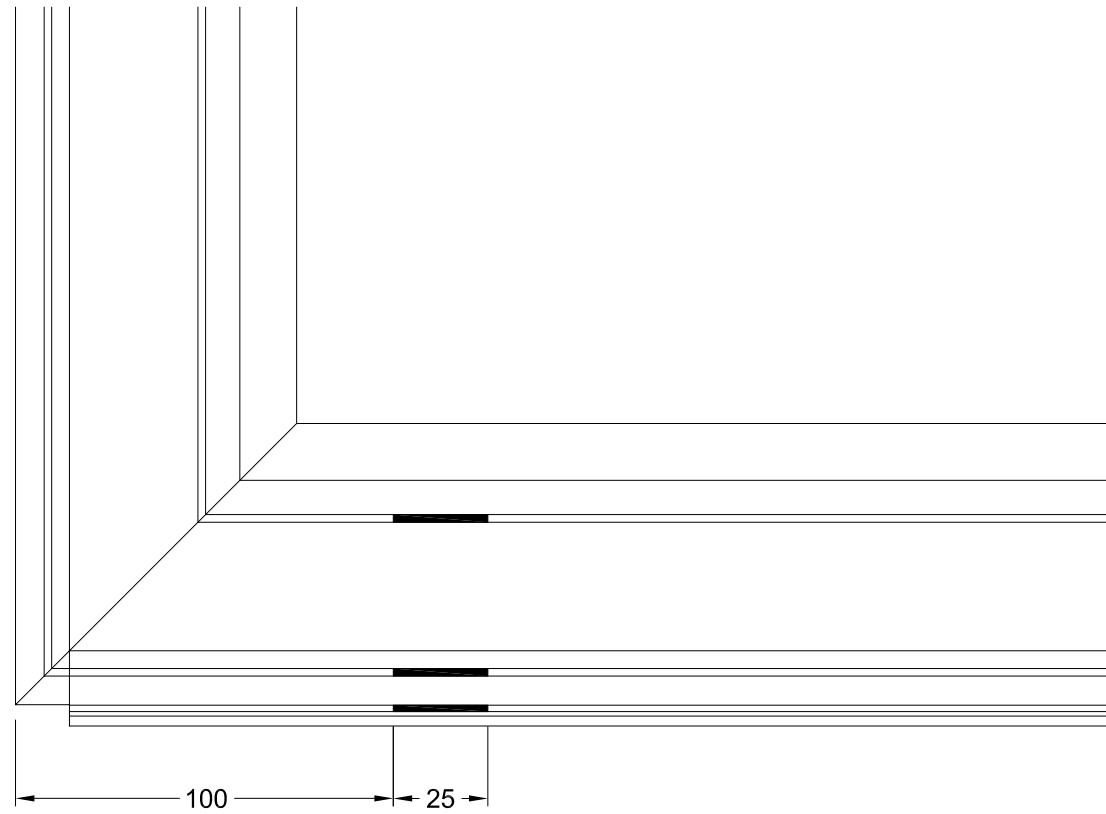
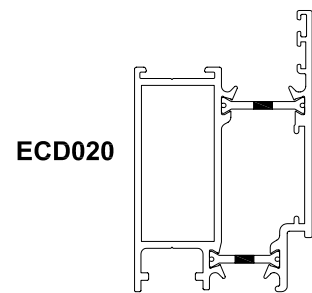
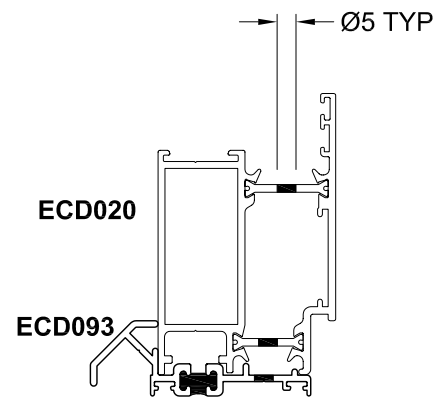


6b

Open Out - Drainage

6b

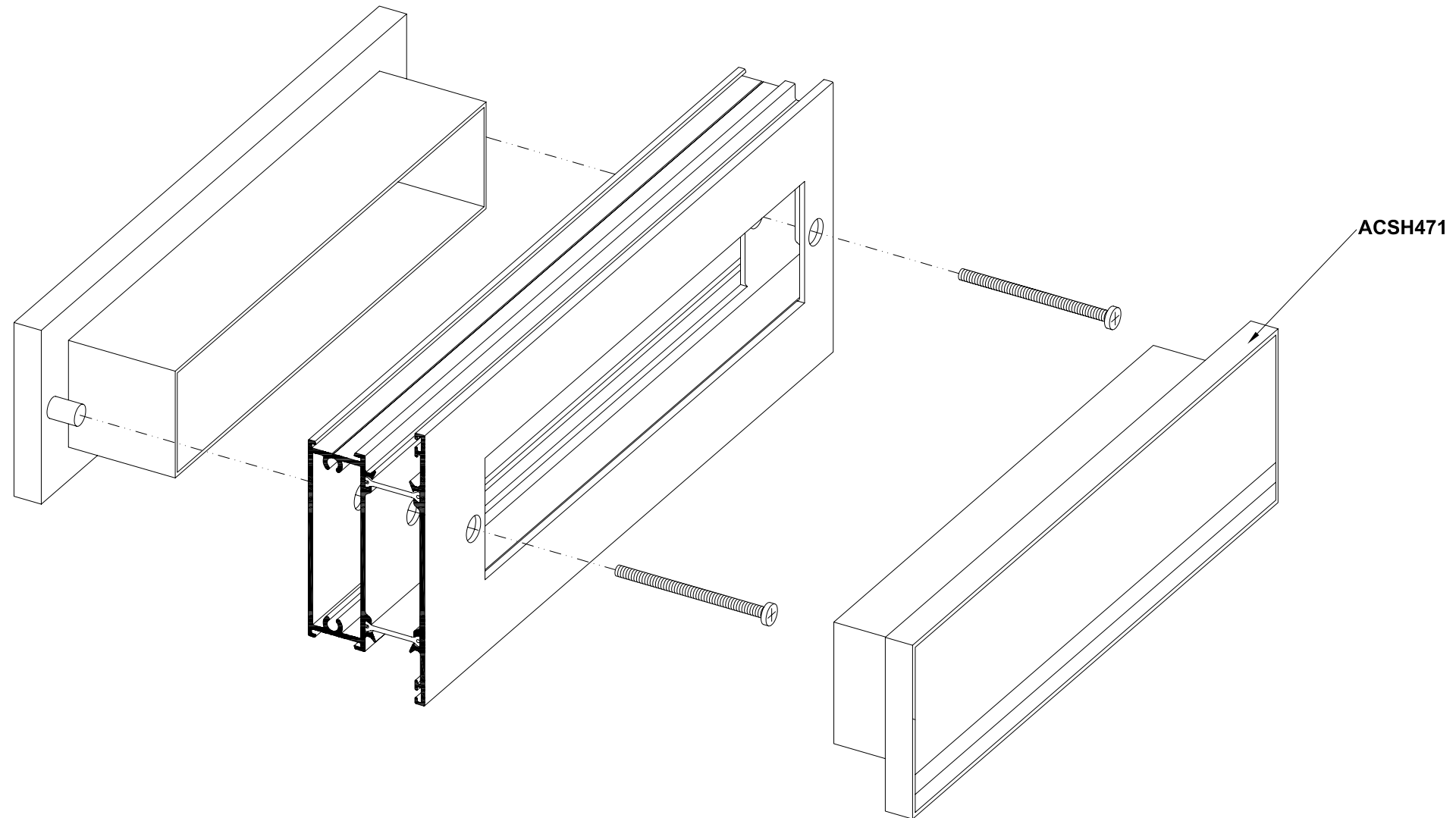
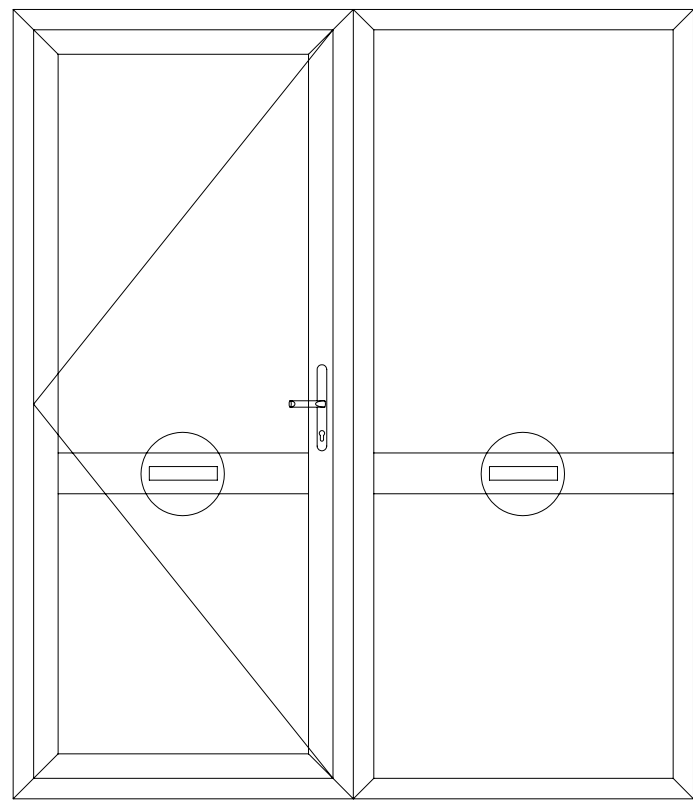
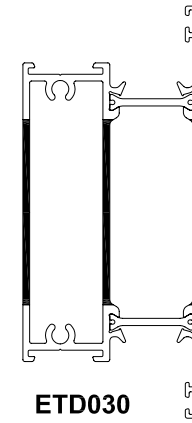
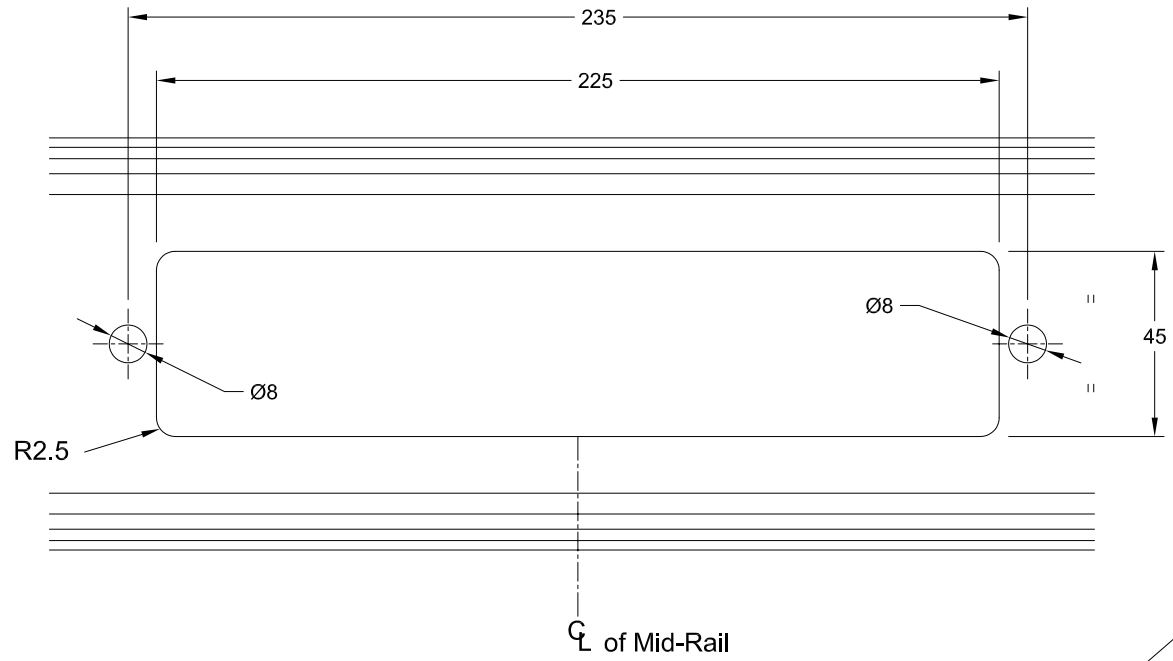




7a

Open Out - Letter Plate Set

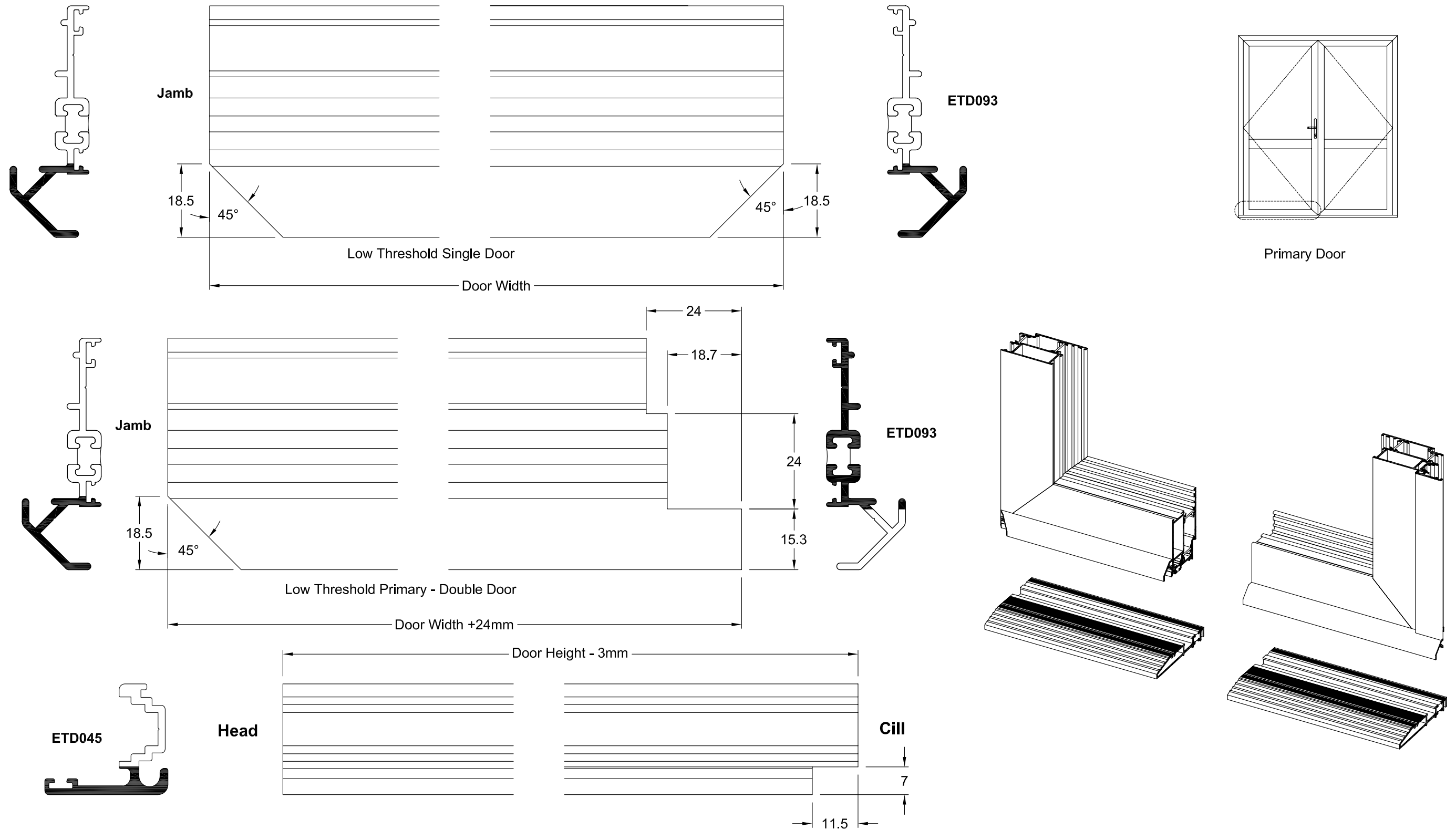
7a



7b

Open Out - Single / Primary Double Door (Low Threshold)

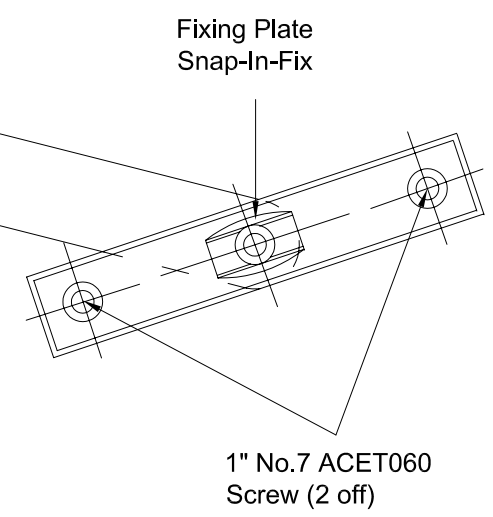
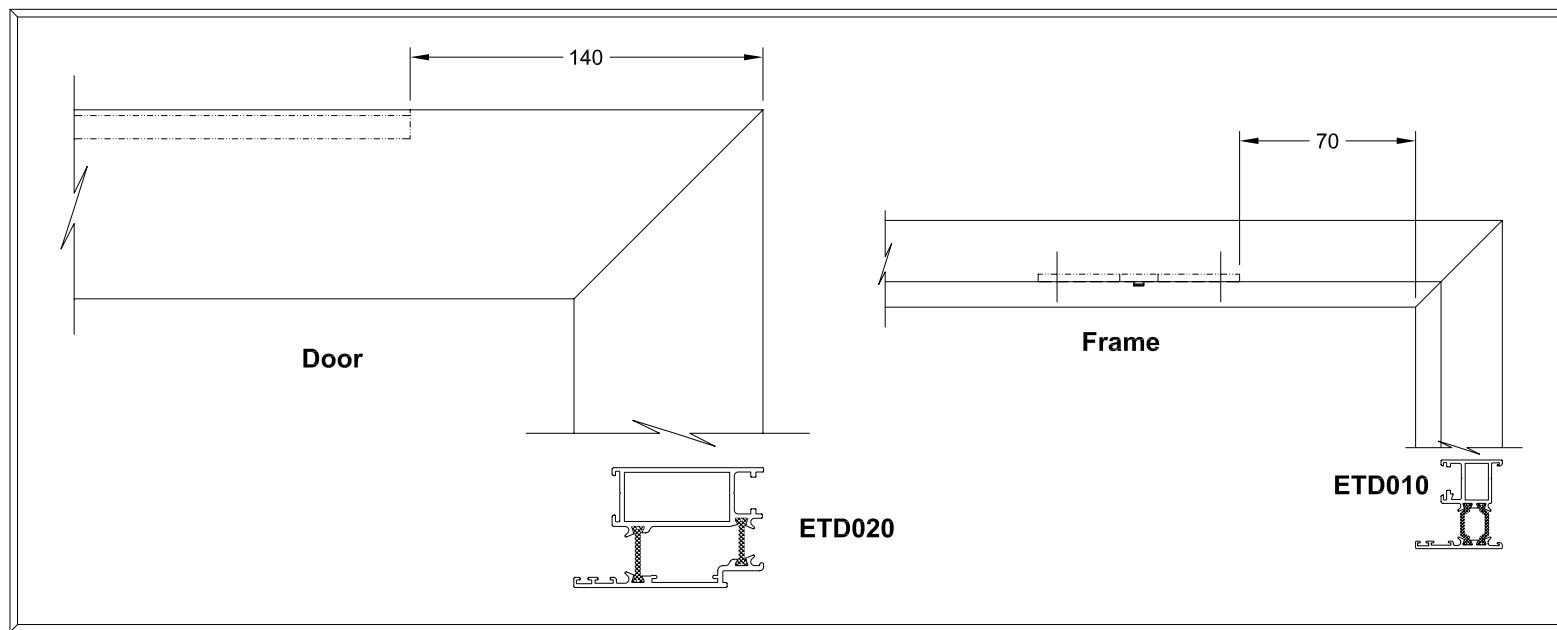
7b



Ensure Friction screw is loose before fitting Stay to Door. Adjust to required tension once the Stay is fixed in position.



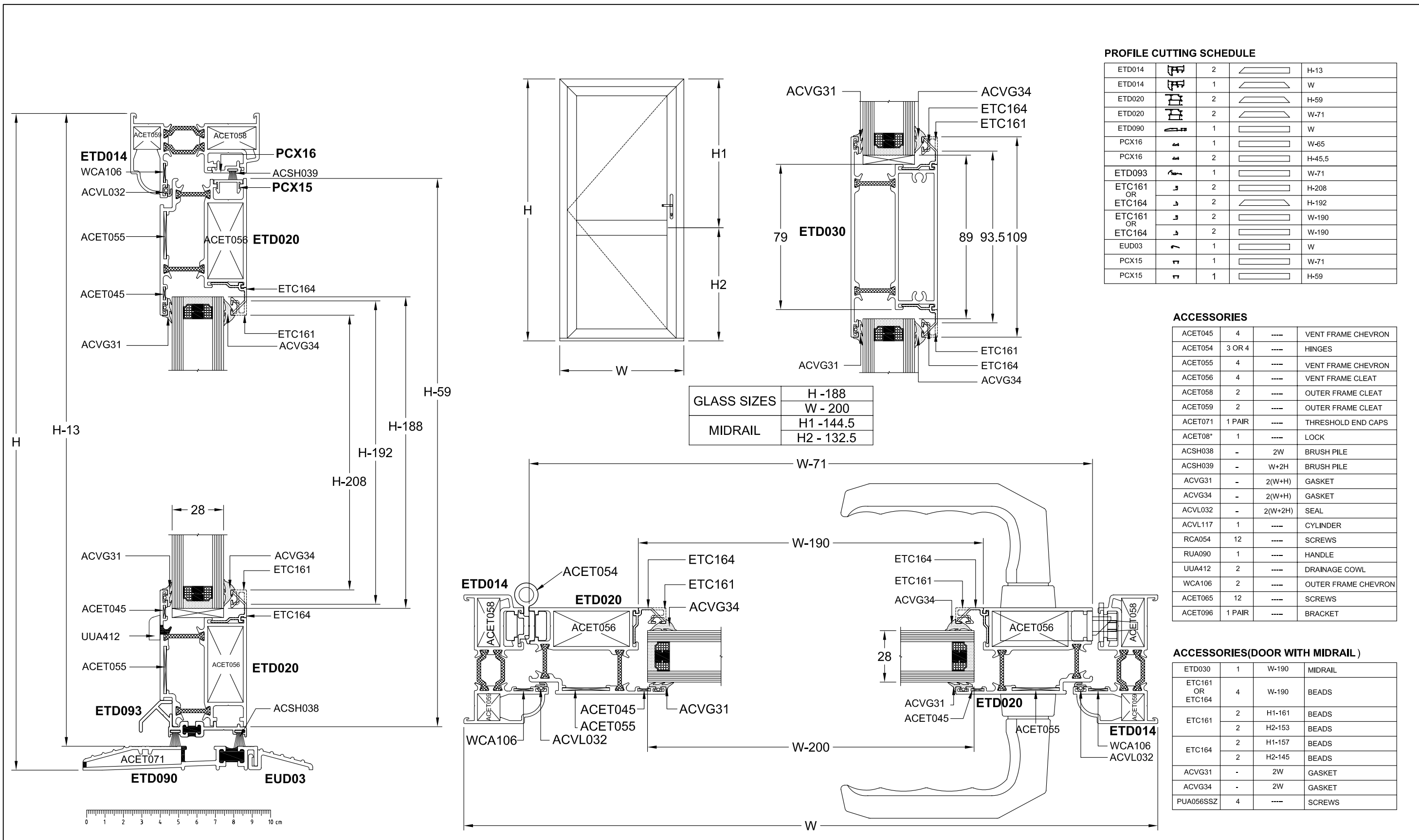
Identification Registration



1a

Single Door - Open In (Low Threshold)

1a



PROFILE CUTTING SCHEDULE

ETD014	2		H-13
ETD014	1		W
ETD020	2		H-59
ETD020	2		W-71
ETD090	1		W
PCX16	1		W-65
PCX16	2		H-45.5
ETD093	1		W-71
ETC161 OR ETC164	2		H-208
ETC161 OR ETC164	2		H-192
ETC161 OR ETC164	2		W-190
EUD03	1		W
PCX15	1		W-71
PCX15	1		H-59

ACCESSORIES

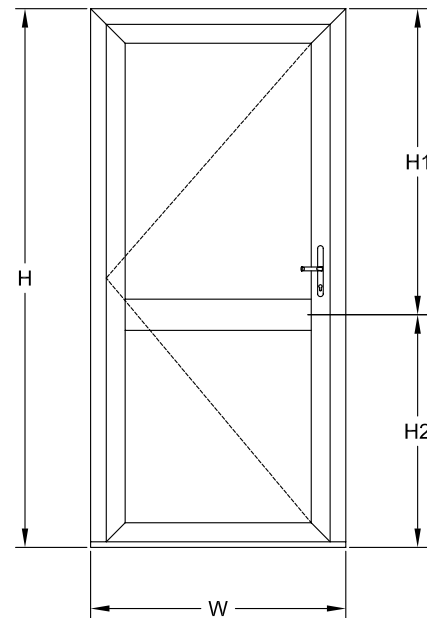
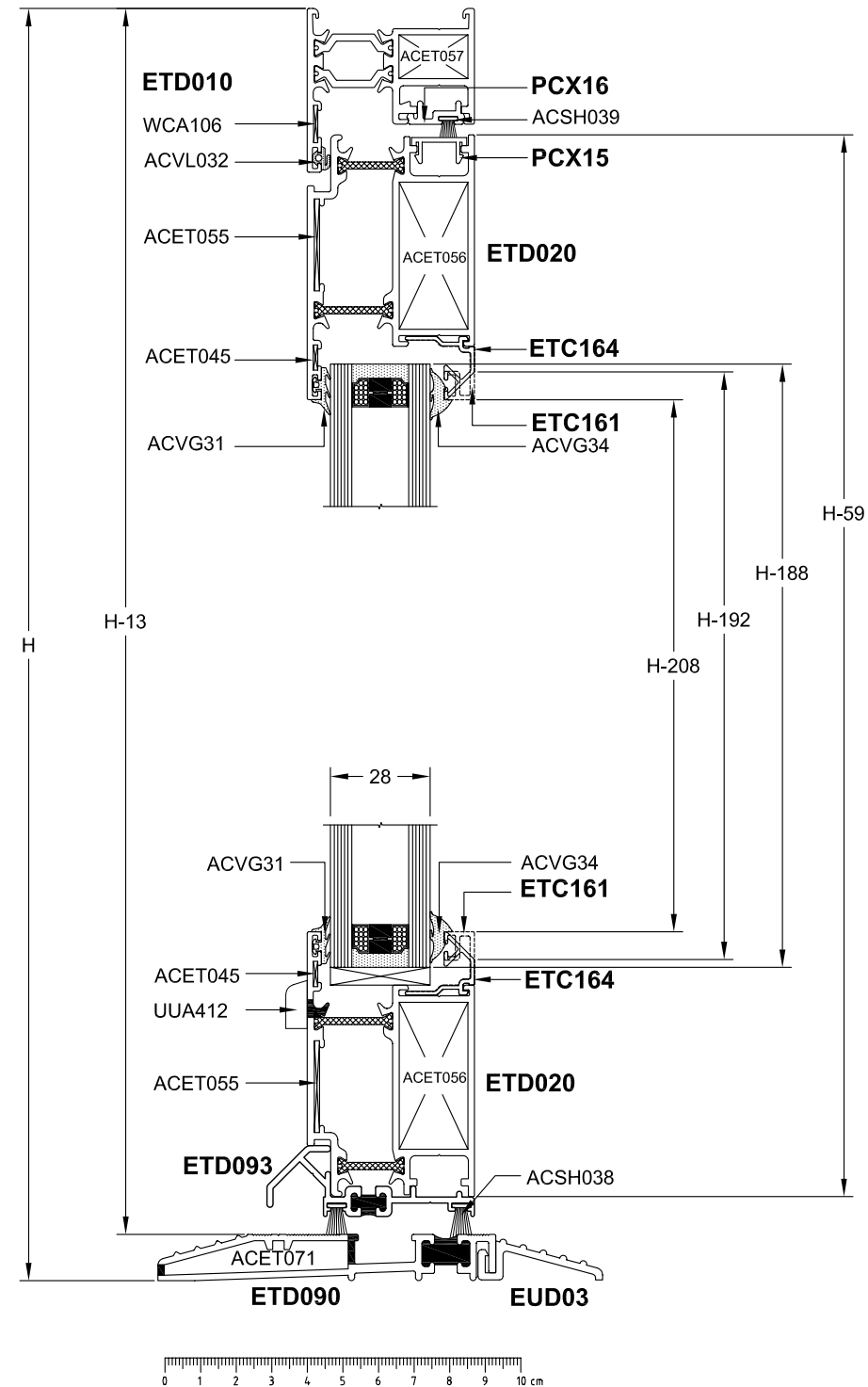
ACET045	4	----	VENT FRAME CHEVRON
ACET054	3 OR 4	----	HINGES
ACET055	4	----	VENT FRAME CHEVRON
ACET056	4	----	VENT FRAME CLEAT
ACET058	2	----	OUTER FRAME CLEAT
ACET059	2	----	OUTER FRAME CLEAT
ACET071	1 PAIR	----	THRESHOLD END CAPS
ACET08*	1	----	LOCK
ACSH038	-	2W	BRUSH PILE
ACSH039	-	W+2H	BRUSH PILE
ACVG31	-	2(W+H)	GASKET
ACVG34	-	2(W+H)	GASKET
ACVL032	-	2(W+2H)	SEAL
ACVL117	1	----	CYLINDER
RCA054	12	----	SCREWS
RUA090	1	----	HANDLE
UUA412	2	----	DRAINAGE COWL
WCA106	2	----	OUTER FRAME CHEVRON
ACET065	12	----	SCREWS
ACET096	1 PAIR	----	BRACKET

ACCESSORIES(DOOR WITH MIDRAIL)

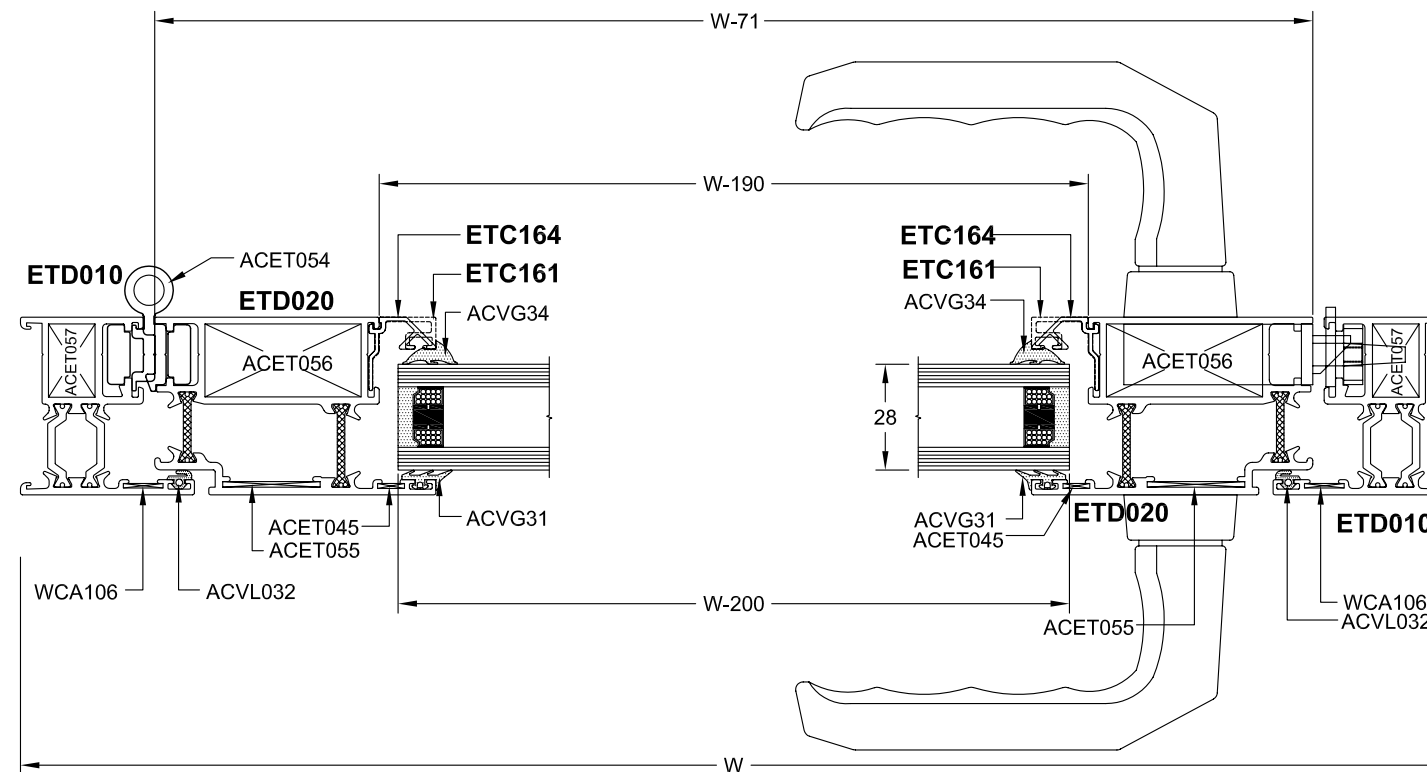
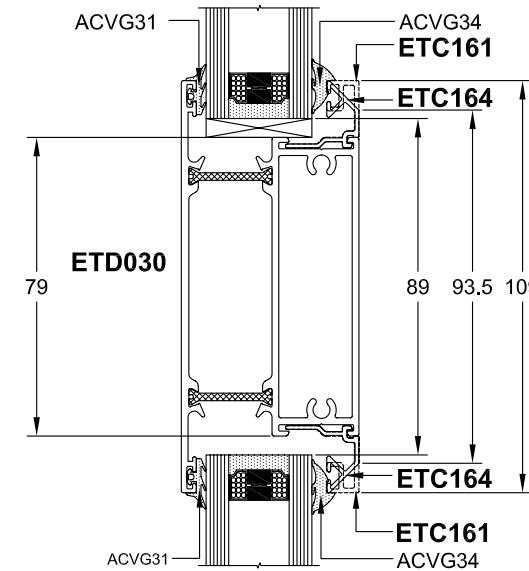
ETD030	1	W-190	MIDRAIL
ETC161 OR ETC164	4	W-190	BEADS
ETC161	2	H1-161	BEADS
ETC161	2	H2-153	BEADS
ETC164	2	H1-157	BEADS
ETC164	2	H2-145	BEADS
ACVG31	-	2W	GASKET
ACVG34	-	2W	GASKET
PUA056SSZ	4	----	SCREWS

GLASS SIZES

H	H - 188
W	W - 200
MIDRAIL	H1 - 144.5
	H2 - 132.5



GLASS SIZES	H - 188
	W - 200
MIDRAIL	H1 - 144.5
	H2 - 132.5



PROFILE CUTTING SCHEDULE

ETD014	2		H-13
ETD014	1		W
ETD020	2		H-59
ETD020	2		W-71
ETD090	1		W
PCX16	1		W-65
PCX16	2		H-45.5
ETD093	1		W-71
ETC161 OR ETC164	2		H-208
ETC161 OR ETC164	2		H-192
ETC161 OR ETC164	2		W-190
EUD03	1		W
PCX15	1		W-71
PCX15	2		H-59

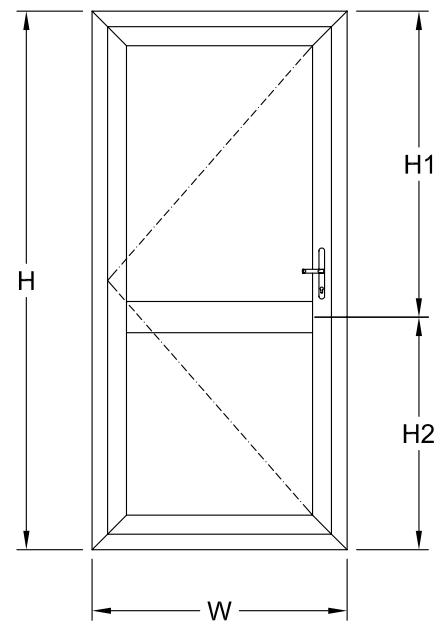
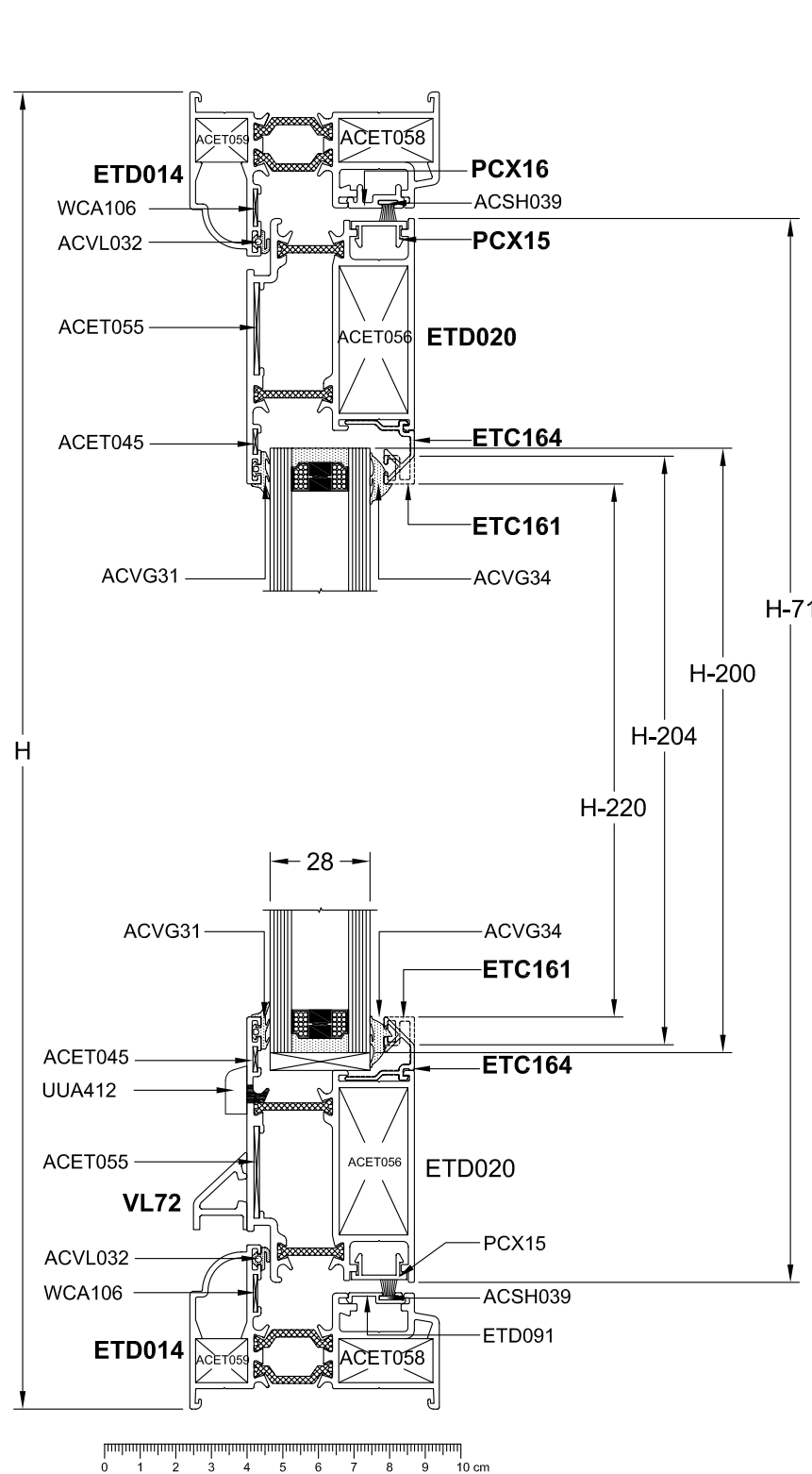
ACCESSORIES

ACET045	4	----	VENT FRAME CHEVRON
ACET054	3 OR 4	----	HINGES
ACET055	4	----	VENT FRAME CHEVRON
ACET056	4	----	VENT FRAME CLEAT
ACET058	2	----	OUTER FRAME CLEAT
ACET059	2	----	OUTER FRAME CLEAT
ACET071	1 PAIR	----	THRESHOLD END CAPS
ACET08*	1	----	LOCK
ACSH038	-	2W	BRUSH PILE
ACSH039	-	W+2H	BRUSH PILE
ACVG31	-	2(W+H)	GASKET
ACVG34	-	2(W+H)	GASKET
ACVL032	-	1(W+2H)	SEAL
ACVL117	1	----	CYLINDER
RCA054	12	----	SCREWS
RUA090	1	----	HANDLE
UUA412	2	----	DRAINAGE COWL
WCA106	2	----	OUTER FRAME CHEVRON
ACET065	12	----	SCREWS
ACET096	1 PAIR	----	BRACKET

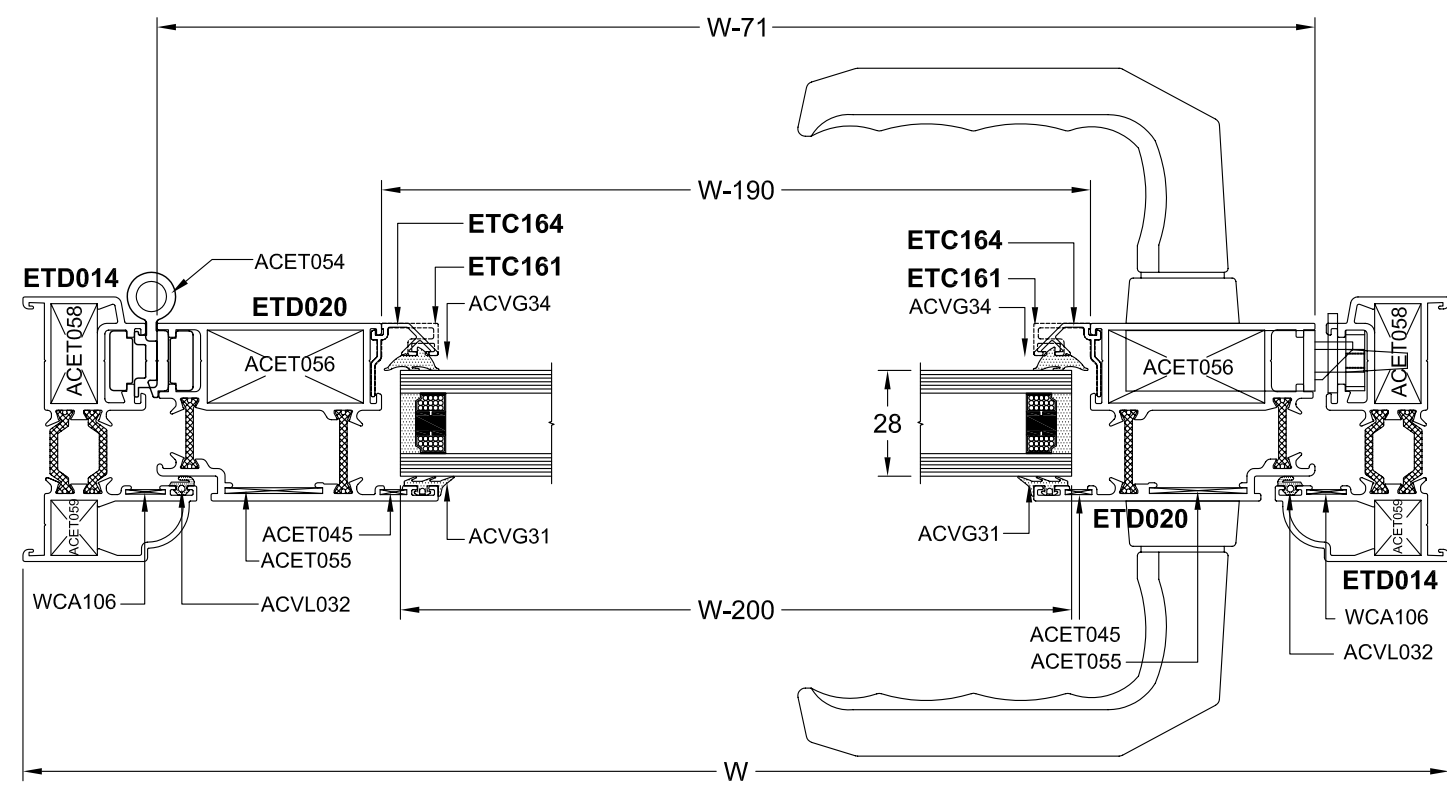
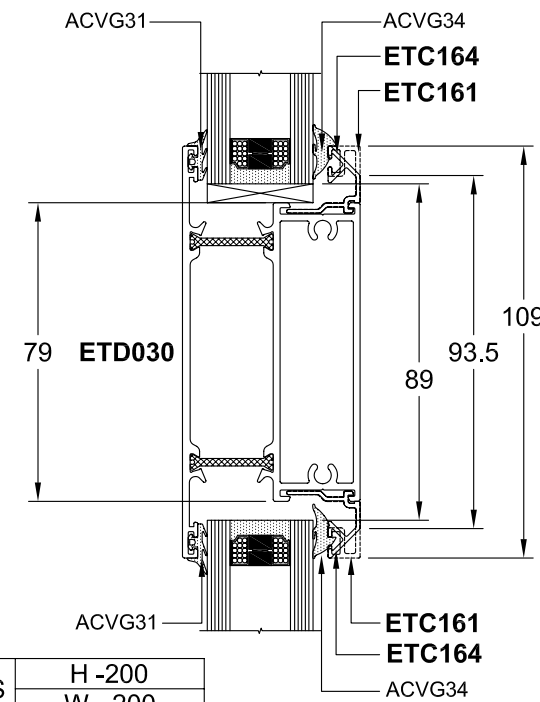
ACCESSORIES(DOOR WITH MIDRAIL)

ETD030	1	W-190	MIDRAIL
ETC161 OR ETC164	4	W-190	BEADS
ETC161	2	H1-161	BEADS
	2	H2-153	BEADS
ETC164	2	H1-157	BEADS
	2	H2-145	BEADS
ACVG31	-	2W	GASKET
ACVG34	-	2W	GASKET
PUA056SSZ	4	----	SCREWS





GLASS SIZES	H - 200
	W - 200
MIDRAIL	H1 - 144.5
	H2 - 144.5



PROFILE CUTTING SCHEDULE

ETD014		2		H
ETD014		2		W
ETD020		2		H-71
ETD020		2		W-71
PCX16		2		W-65
PCX16		2		H-65
VL72		1		W-106
ETC161		2		H-220
ETC164		2		H-204
ETC161		2		W-190
ETC164		2		W-190
PCX15		2		W-71
PCX15		2		H-71

ACCESSORIES

ACET045	4	----	VENT FRAME CHEVRON
ACET054	3 OR 4	----	HINGES
ACET055	4	----	VENT FRAME CHEVRON
ACET056	4	----	VENT FRAME CLEAT
ACET058	4	----	OUTER FRAME CLEAT
ACET059	4	----	OUTER FRAME CLEAT
ACET08*	1	----	LOCK
ACSH039	-	2(W+H)	BRUSH PILE
ACVG31	-	2(W+H)	GASKET
ACVG34	-	2(W+H)	GASKET
ACVL032	-	2(W+H)	SEAL
ACVL059	1 Pair	----	END CAP
ACVL061	-	W/300	RIVETS
ACVL117	1	----	CYLINDER
RCA054	12	----	SCREWS
RUA090	1	----	HANDLE
UUA412	2	----	DRAINAGE COWL
WCA106	4	----	OUTER FRAME CHEVRON

ACCESSORIES (DOOR WITH MIDRAIL)

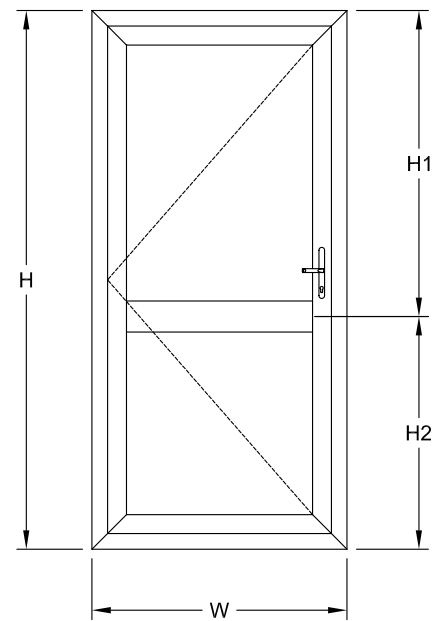
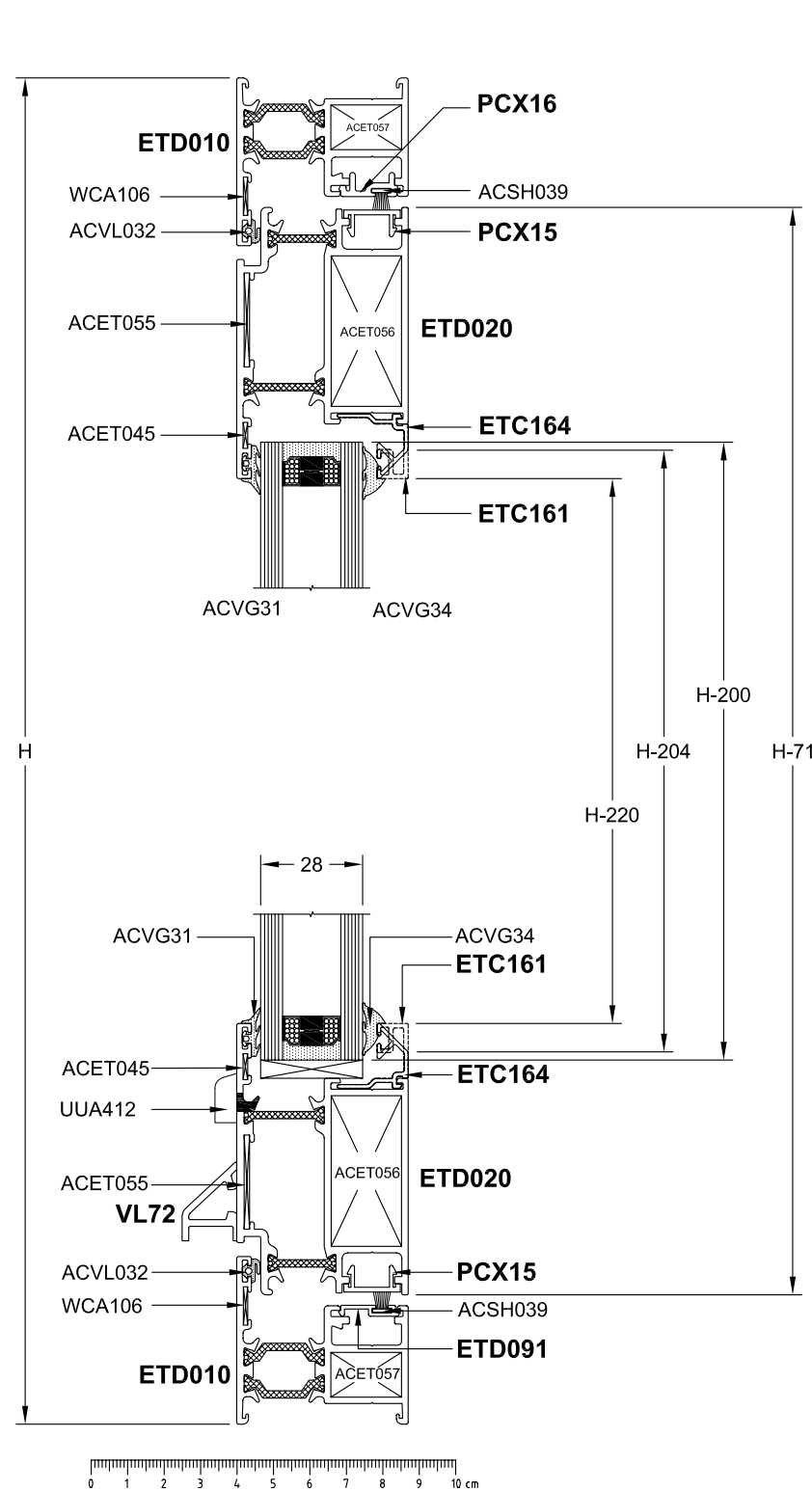
ETD030	1	W-190	MIDRAIL
ETC161	4	W-190	BEADS
ETC164	2	H1-165	BEADS
ETC161	2	H2-165	BEADS
ETC164	2	H1-157	BEADS
ETC164	2	H2-157	BEADS
ACVG31	-	2W	GASKET
ACVG34	-	2W	GASKET
PUA056SSZ	4	----	SCREWS



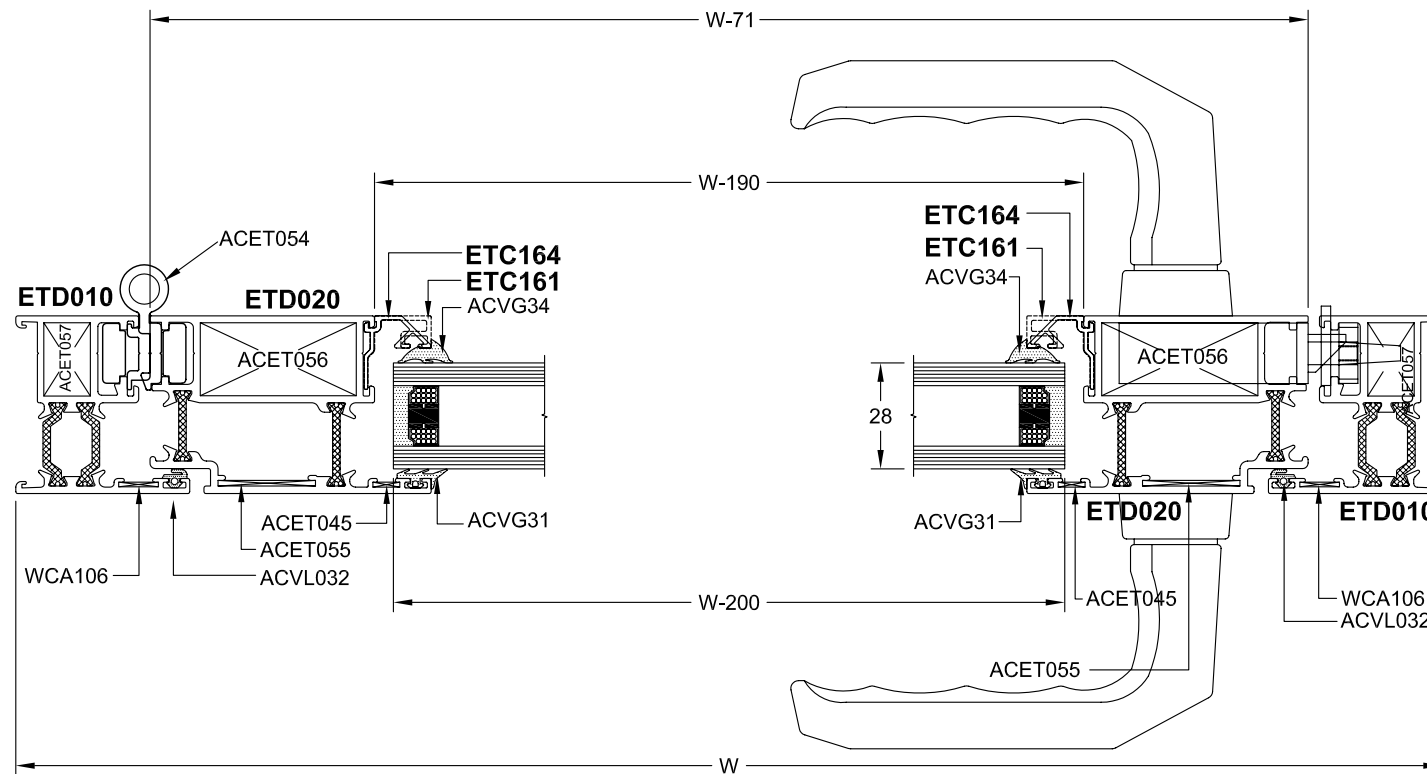
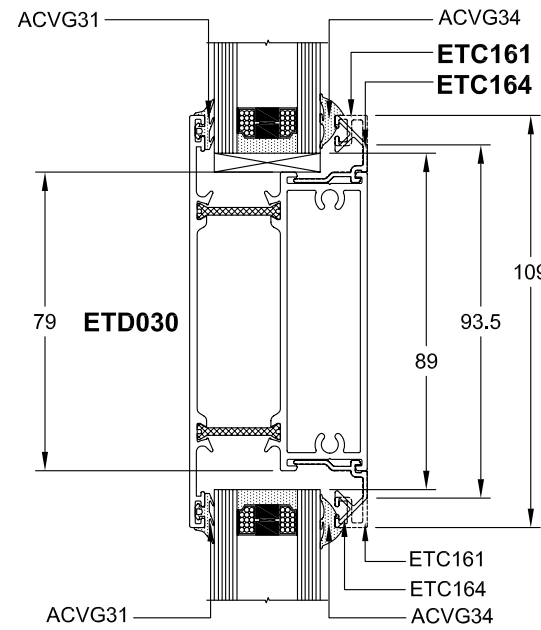
4a

Single Door - Open In (Frame All Round)

4a



GLASS SIZES	H - 200
	W - 200
MIDRAIL	H1 - 144.5
	H2 - 144.5



PROFILE CUTTING SCHEDULE

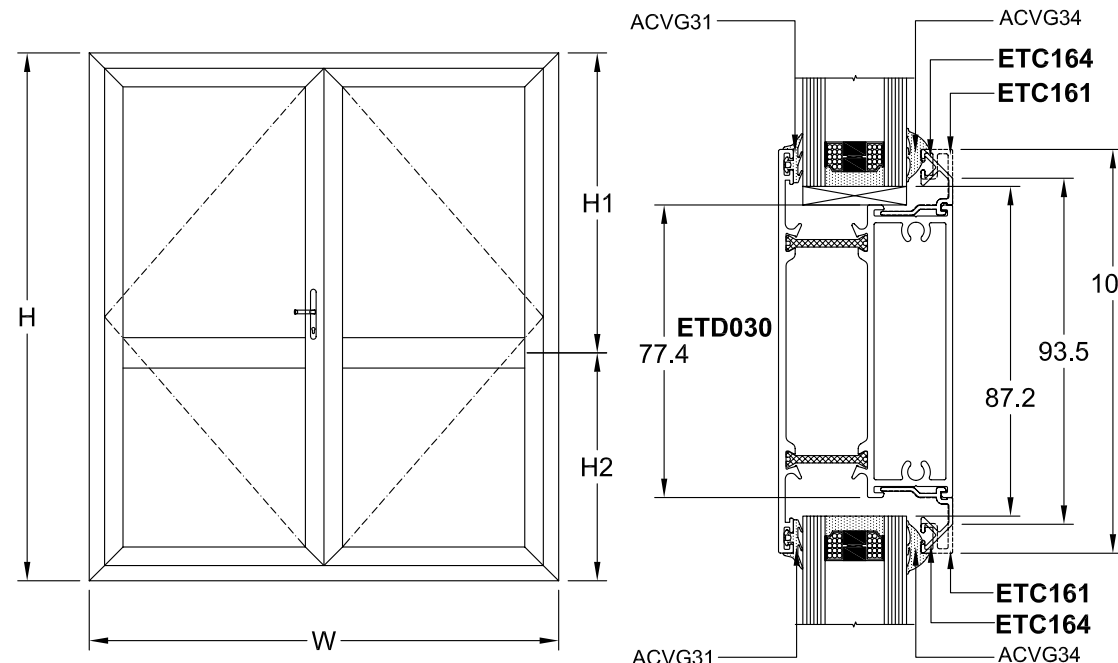
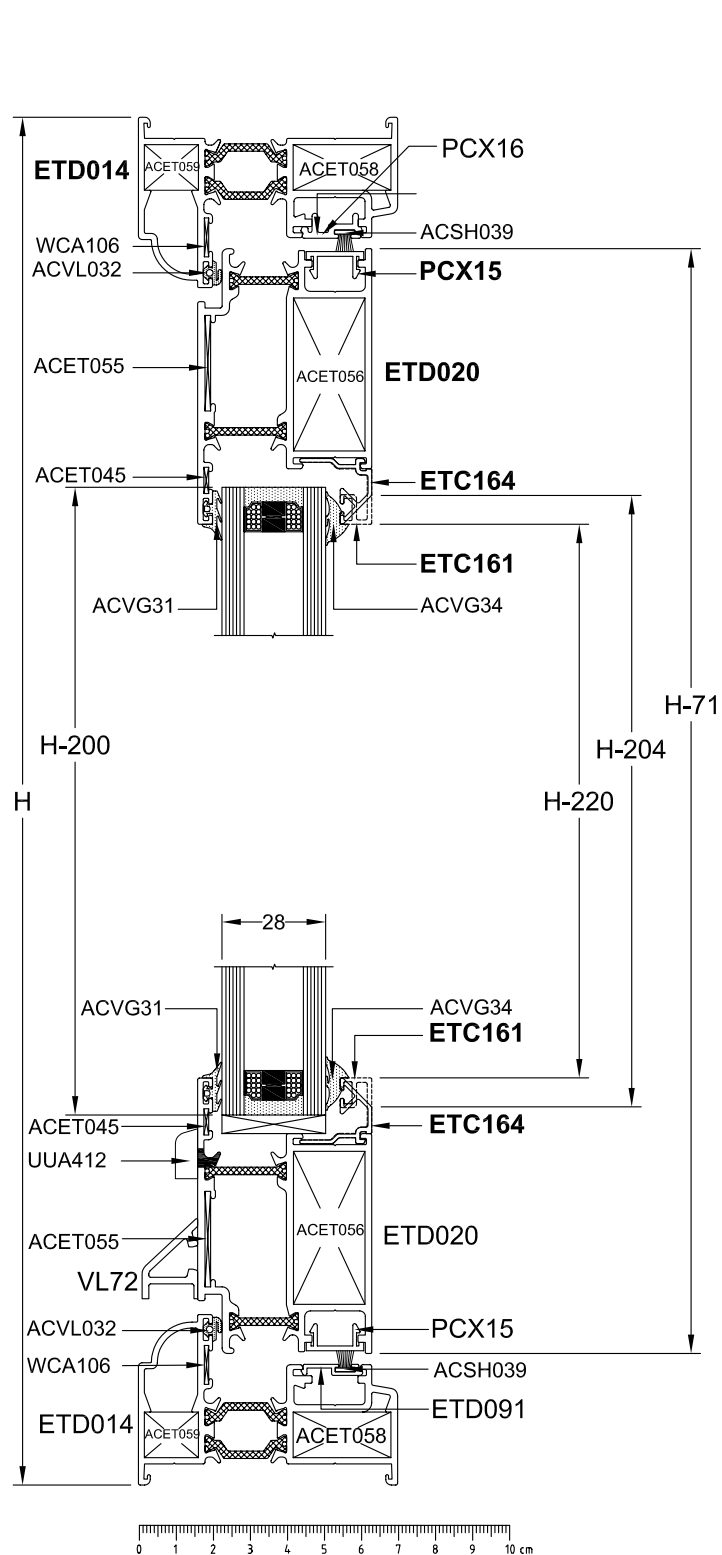
ETD010	2		H
ETD010	2		W
ETD020	2		H-71
ETD020	2		W-71
PCX16	2		W-65
PCX16	2		H-65
VL72	1		W-106
ETC161 OR ETC164	2		H-220
	2		H-204
ETC161 OR ETC164	2		W-190
	2		W-190
PCX15	2		W-71
PCX15	2		H-71

ACCESSORIES

ACET045	4	----	VENT FRAME CHEVRON
ACET054	3 OR 4	----	HINGES
ACET055	4	----	VENT FRAME CHEVRON
ACET056	4	----	VENT FRAME CLEAT
ACET057	4	----	OUTER FRAME CLEAT
ACET08*	1	----	LOCK
ACSH039	-	2(W+H)	BRUSH PILE
ACVG31	-	2(W+H)	GASKET
ACVG34	-	2(W+H)	GASKET
ACVL032	2(W+H)	----	SEAL
ACVL059	1 Pair	----	END CAP (VL72)
ACVL061	-	W/300	RIVETS (VL72)
ACVL117	1	----	CYLINDER
RCA054	12	----	SCREWS
RUA090	1	----	HANDLE
UUA412	2	----	DRAINAGE COWL
WCA106	4	----	OUTER FRAME CHEVRON

ACCESSORIES(DOOR WITH MIDRAIL)

ETD030	1	W-190	MIDRAIL
ETC161 OR ETC164	4	W-190	BEADS
	2	H1-165	BEADS
ETC161	2	H2-165	BEADS
	2	H1-157	BEADS
ETC164	2	H2-157	BEADS
	2	H1-157	BEADS
ACVG31	-	2W	GASKET
ACVG34	-	2W	GASKET
PUA056SSZ	4	----	SCREWS



ACCESSORIES(DOOR WITH MIDRAIL)

ETD030	1	W/2-163	MIDRAIL
ETC161 OR ETC164	4	W/2-163	BEADS
ETC161	2	H1-165	BEADS
	2	H2-165	BEADS
ETC164	2	H1-165	BEADS
	2	H2-165	BEADS
ACVG31	-	2W	GASKET
ACVG34	-	2W	GASKET
PUA056SSZ	8	-----	SCREWS

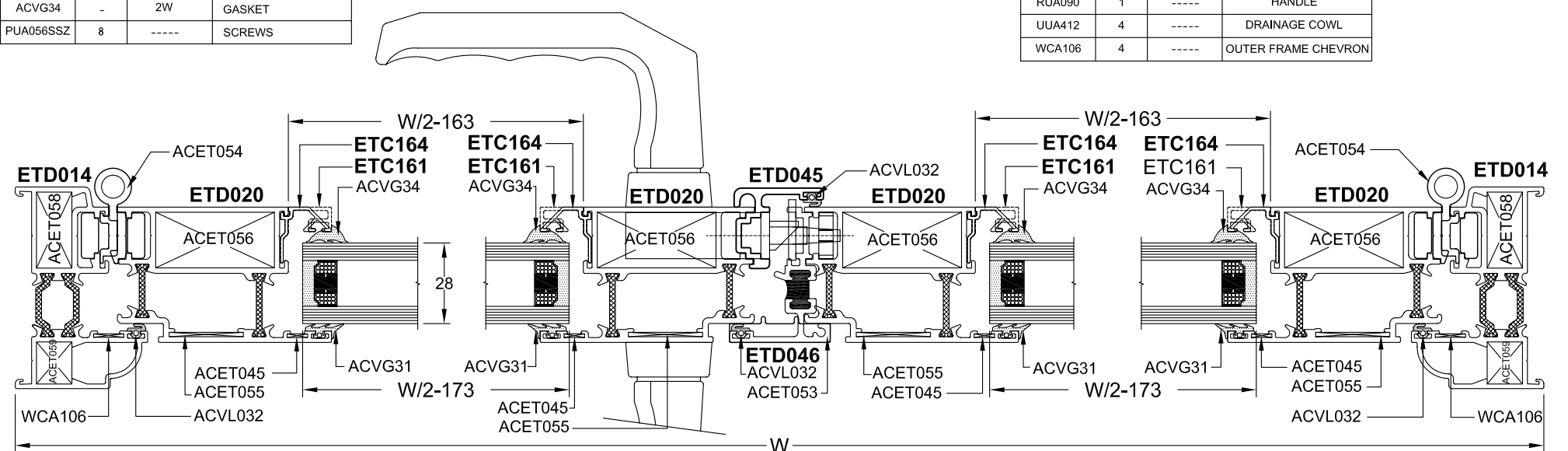
GLASS SIZES	H -200
	W/2-173
MIDRAIL	H1 -145
	H2 - 145

PROFILE CUTTING SCHEDULE

ETD014		2		H
WTD014		2		W
ETD020		4		H-71
ETD020		4		W/2-44
ETD045		1		H-71
ETD046		1		H-71
PCX16		2		W-65
PCX16		2		H-65
ETC161 OR ETC164		4		H-220
		4		H-204
ETC161 OR ETC164		4		W/2-163
		4		W/2-163
PCX15		4		W/2-44
PCX15		2		H-71
VL72		2		W/2-73

ACCESSORIES

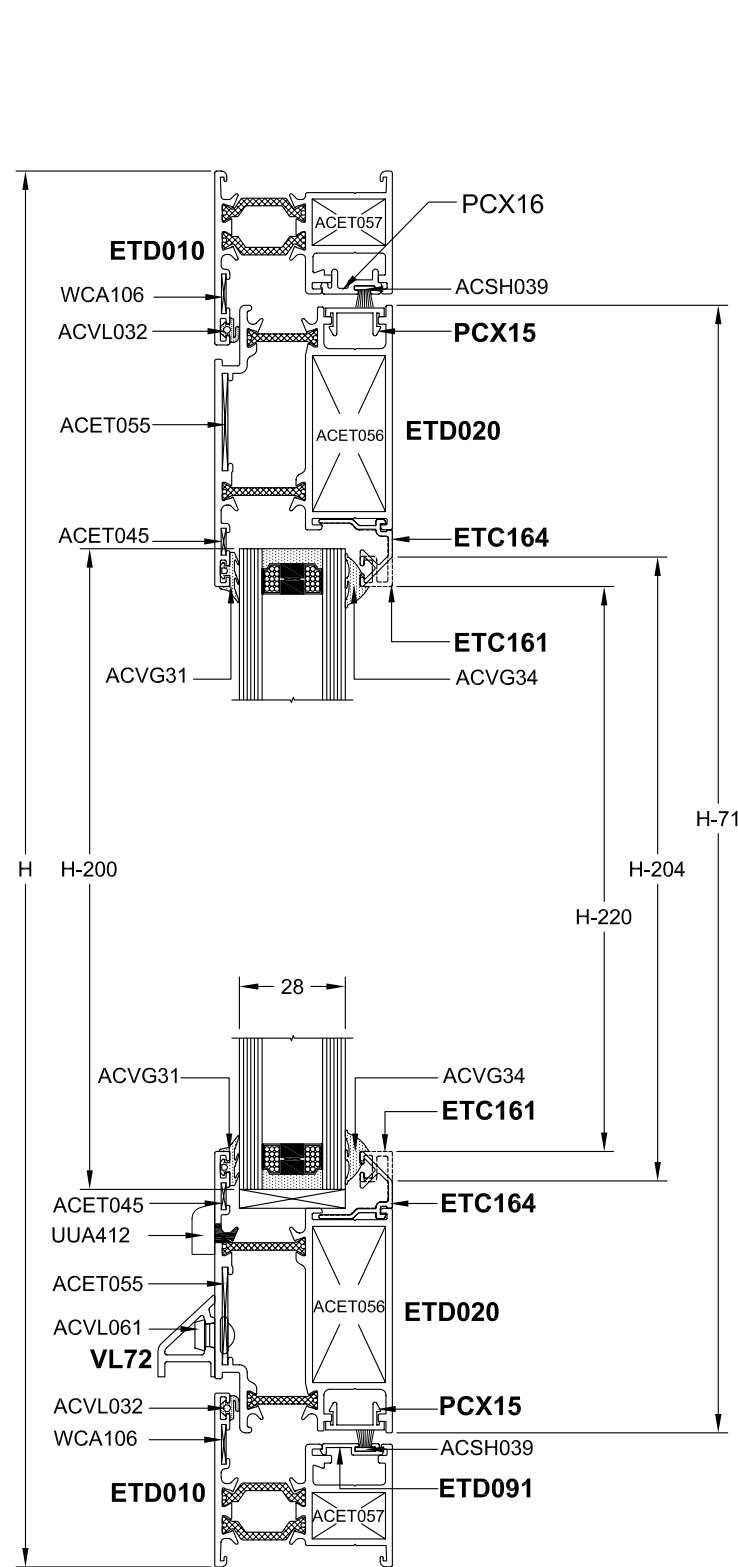
ACET045	8	-----	VENT FRAME CHEVRON
ACET053	2	-----	END CAP
ACET054	6 OR 8	-----	HINGES
ACET055	8	-----	VENT FRAME CHEVRON
ACET056	8	-----	VENT FRAME CLEAT
ACET058	4	-----	OUTER FRAME CLEAT
ACET059	4	-----	OUTER FRAME CLEAT
ACET08*	1	-----	LOCK
ACET103	PAIR	-----	BOLTS
ACSH039	-	2(W+2H)	BRUSH PILE
ACVG31	-	2(W+4H)	GASKET
ACVG34	-	2(W+4H)	GASKET
ACVL032	-	2(W+4H)	SEAL
ACVL059	2 PAIR	-----	END CAP
ACVL061	-	W/300	RIVETS
ACVL117	1	-----	CYLINDER
RCA054	20	-----	SCREWS
RUA090	1	-----	HANDLE
UUA412	4	-----	DRAINAGE COWL
WCA106	4	-----	OUTER FRAME CHEVRON



6a

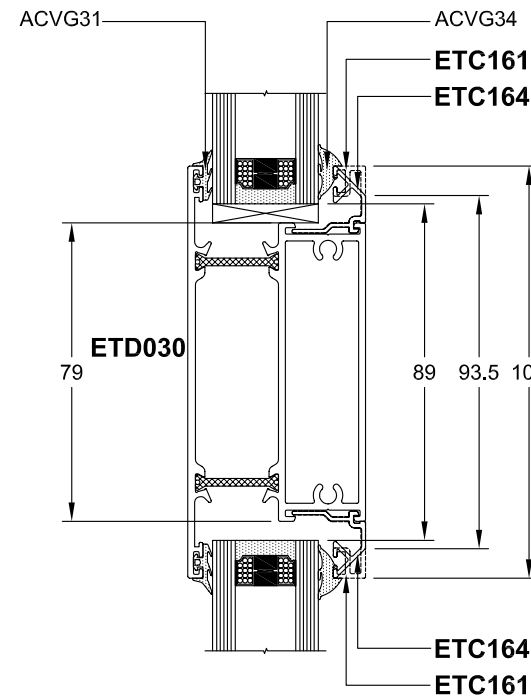
Double Door - Open In (Frame All Round)

6a



ACCESSORIES(DOOR WITH MIDRAIL)

ETD030	1	W/2-163	MIDRAIL
ETC161 OR ETC164	2	W/2-163	BEADS
ETC161	2	H1-165	BEADS
	2	H2-165	BEADS
ETC164	2	H1-165	BEADS
	2	H2-165	BEADS
ACVG31	-	2W	GASKET
ACVG34	-	2W	GASKET
PUA056SSZ	8	----	SCREWS



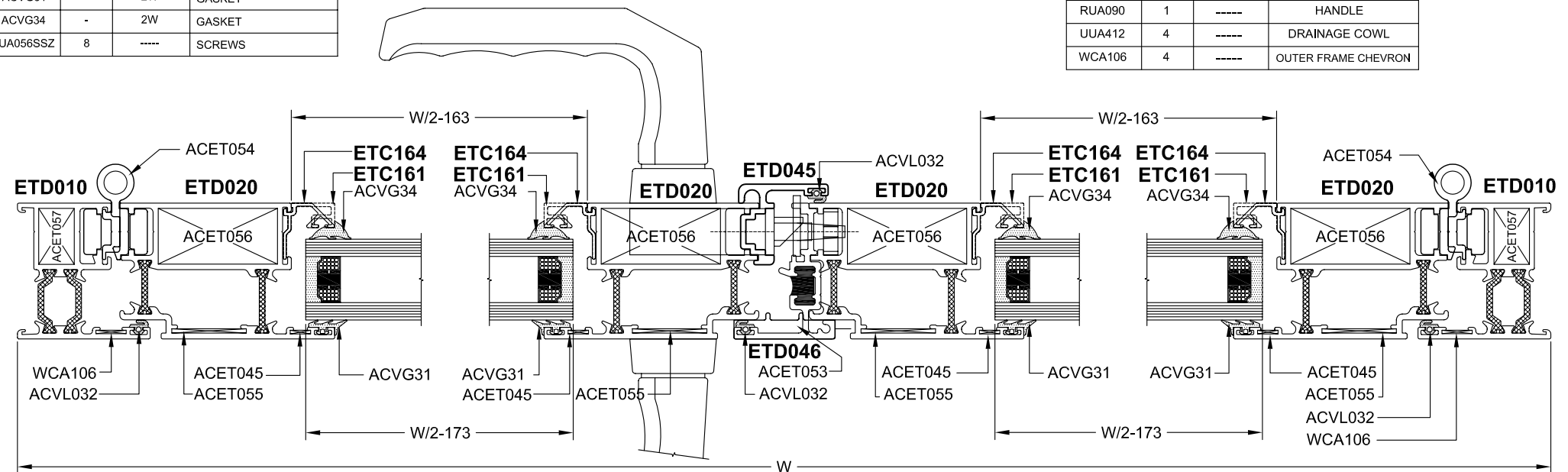
GLASS SIZES	H -200
	W/2-173
MIDRAIL	H1 -144,5
	H2 -144,5

PROFILE CUTTING SCHEDULE

ETD010		2		H
ETD010		2		W
ETD020		4		H-71
ETD020		4		W/2-44
ETD045		1		H-71
ETD046		1		H-71
PCX16		2		W-65
PCX16		2		H-65
ETC161 or ETC164		4		H-220
		4		H-204
ETC161 or ETC164		4		W/2-163
		4		W/2-163
PCX15		4		W/2-44
PCX15		2		H-71
VL72		2		W/2-73

ACCESSORIES

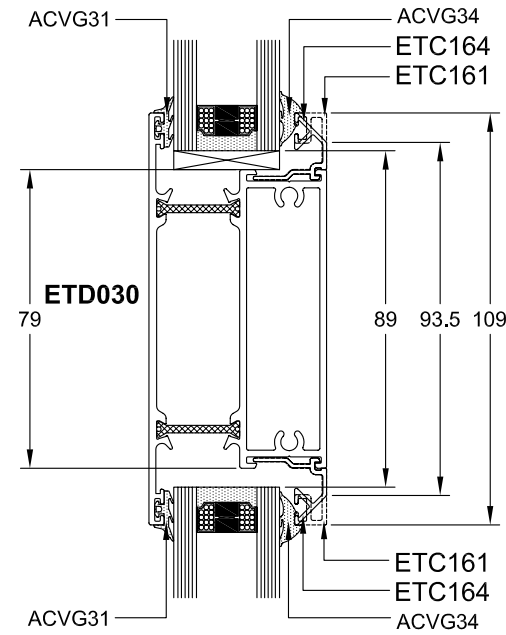
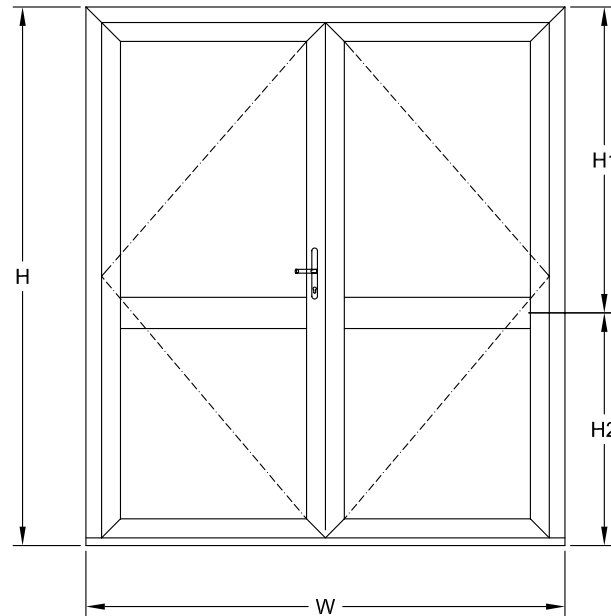
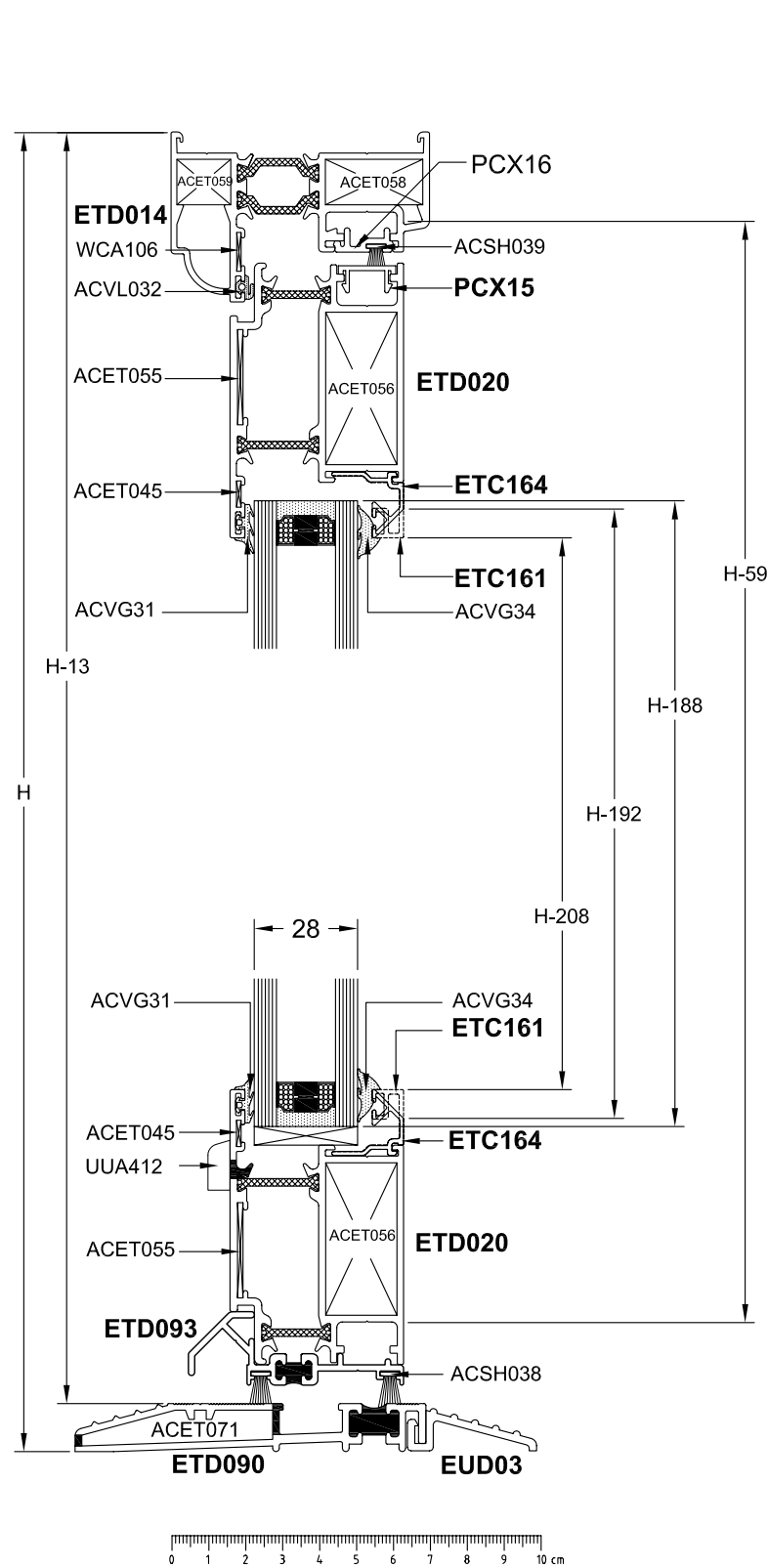
ACET045	8	----	VENT FRAME CHEVRON
ACET053	2	----	END CAP
ACET054	6 OR 8	----	HINGES
ACET055	8	----	VENT FRAME CHEVRON
ACET056	8	----	VENT FRAME CLEAT
ACET057	4	----	OUTER FRAME CLEAT
ACET08*	1	----	LOCK
ACET103	PAIR	----	BOLTS
ACSH039	-	2W+2H	BRUSH PILE
ACVG31	-	2W+4H	GASKET
ACVG34	-	2W+4H	GASKET
ACVL032	-	2W+4H	SEAL
ACVL059	2 PAIRS	----	END CAP
ACVL061	-	W/300	RIVETS
ACVL117	1	----	CYLINDER
RCA054	20	----	SCREWS
RUA090	1	----	HANDLE
UUA412	4	----	DRAINAGE COWL
WCA106	4	----	OUTER FRAME CHEVRON



7a

Double Door Open In (Low Threshold)

7a



PROFILE CUTTING SCHEDULE

Part	Qty	Profile	Material	Notes
ETD014	2	[Profile]	H-13	
ETD014	1	[Profile]	W	
ETD020	4	[Profile]	H-59	
ETD020	4	[Profile]	W/2-44	
ETD045	1	[Profile]	H-54	
ETD046	1	[Profile]	H-59	
ETD090	1	[Profile]	W	
PCX16	1	[Profile]	W-65	
PCX16	2	[Profile]	H-56	
ETD093	1	[Profile]	W/2-5	PRIMARY
ETD093	1	[Profile]	W/2-26	SECONDARY
ETC161 OR ETC164	4	[Profile]	H-208	
ETC161 OR ETC164	4	[Profile]	H-192	
ETC161 OR ETC164	4	[Profile]	W/2-163	
ETC161 OR ETC164	4	[Profile]	W/2-163	
EUD03	1	[Profile]	W	
PCX15	2	[Profile]	W/2-44	
PCX15	2	[Profile]	H-59	

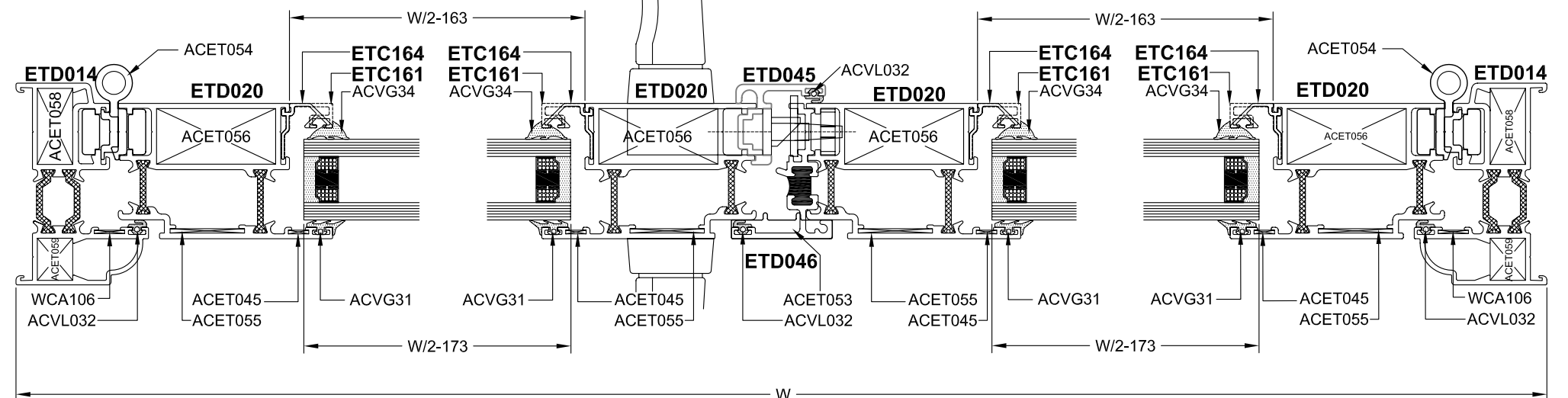
ACCESSORIES(DOOR WITH MIDRAIL)

Part	Qty	Material	Description
ETD030	1	W/2-163	MIDRAIL
ETC161 OR ETC164	2	W/2-163	BEADS
ETC161	2	H1-165	BEADS
ETC161	2	H2-153	BEADS
ETC164	2	H1-157	BEADS
ETC164	2	H2-163	BEADS
ACVG31	-	2W	GASKET
ACVG34	-	2W	GASKET
PUA056SSZ	8	----	SCREWS

GLASS SIZES	Material
	H - 188
	W/2 - 173
MIDRAIL	Material
	H1 - 144.5
	H2 - 132.5

ACCESSORIES

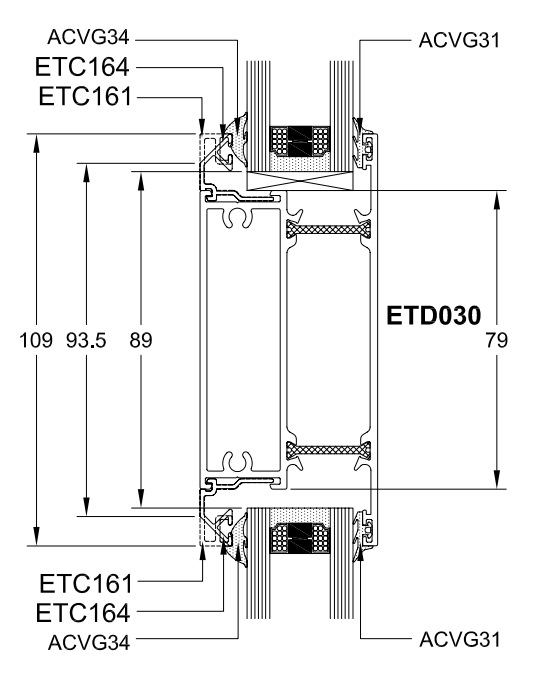
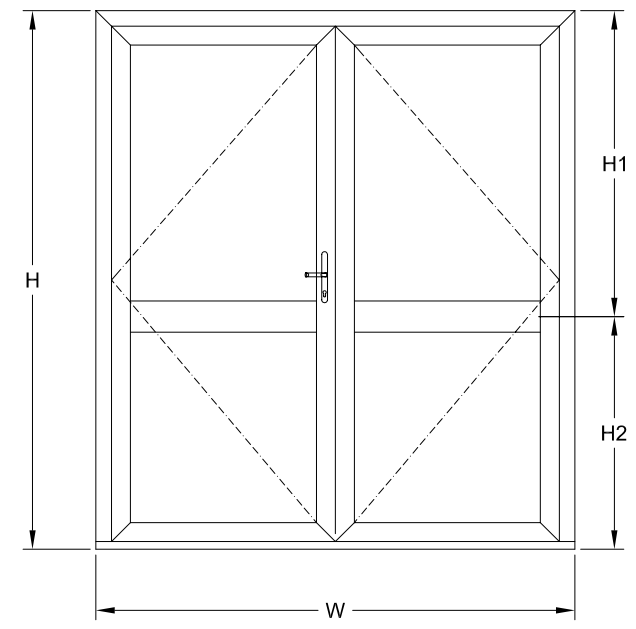
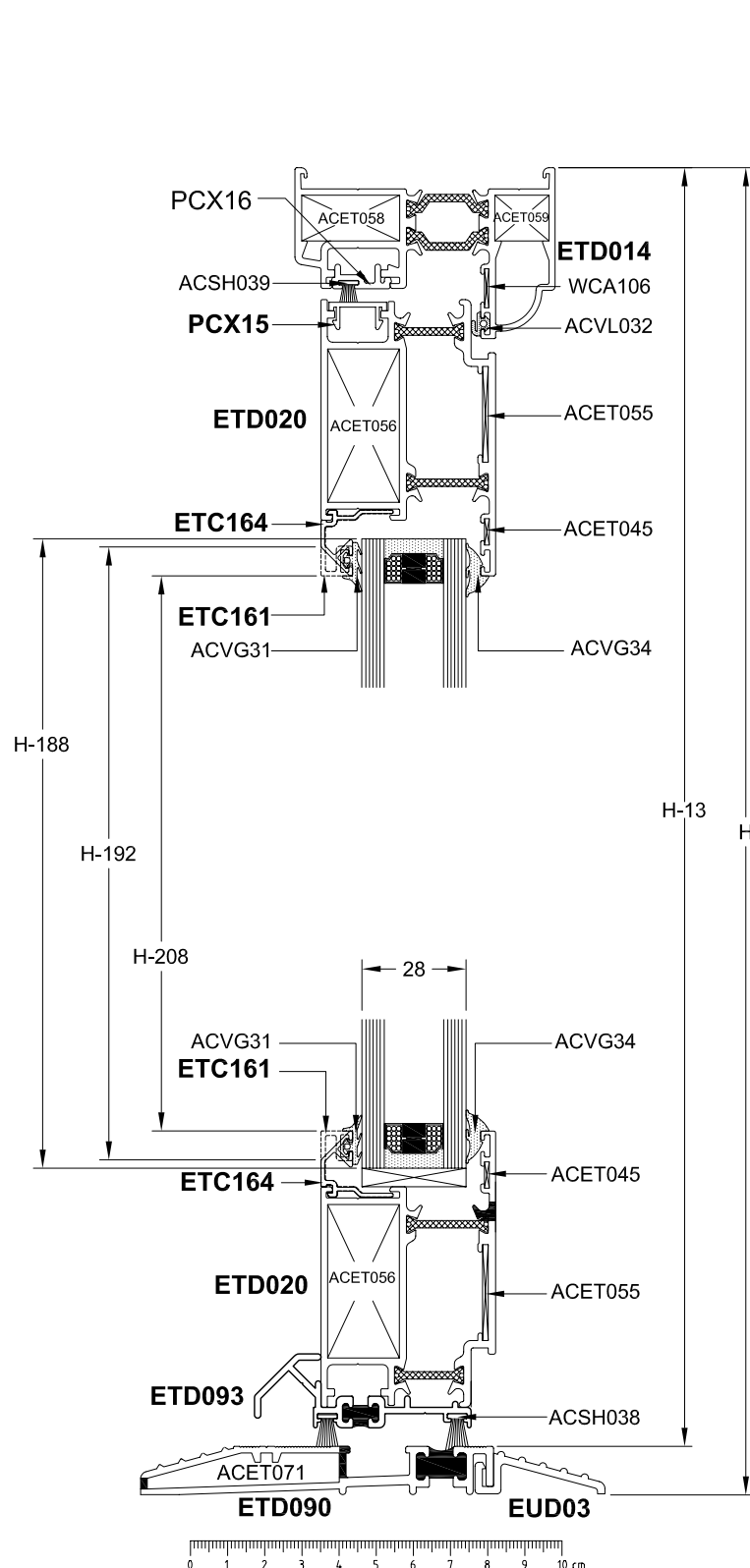
Part	Qty	Material	Description	Part	Qty	Material	Description
ACET045	8	----	VENT FRAME CHEVRON	ACSH038	-	2W	BRUSH PILE
ACET053	1	----	END CAP	ACSH039	-	W+2H	BRUSH PILE
ACET054	6 OR 8	----	HINGES	ACVG31	-	2(W+4H)	GASKET
ACET055	8	----	VENT FRAME CHEVRON	ACVG34	-	2(W+4H)	GASKET
ACET056	8	----	VENT FRAME CLEAT	ACVL032	-	W+4H	SEAL
ACET058	2	----	OUTER FRAME CLEAT	ACVL117	1	----	CYLINDER
ACET059	2	----	OUTER FRAME CLEAT	RCA054	20	----	SCREWS
ACET071	2 PAIR	----	THRESHOLD END CAPS	RUA090	1	----	HANDLE
ACET08*	1	----	LOCK	UUA412	4	----	DRAINAGE COWL
ACET103	PAIR	----	BOLTS	WCA106	2	----	OUTER FRAME CHEVRON



7b

Double Door Open Out (Low Threshold)

7b



PROFILE CUTTING SCHEDULE

Part	Profile	Qty	Material	Length	Notes
ETD014	[Profile]	2	[Material]	H-13	
ETD014	[Profile]	1	[Material]	W	
ETD020	[Profile]	4	[Material]	H-59	
ETD020	[Profile]	4	[Material]	W/2-44	
ETD045	[Profile]	1	[Material]	H-54	
ETD046	[Profile]	1	[Material]	H-55	
ETD090	[Profile]	1	[Material]	W	
PCX16	[Profile]	1	[Material]	W-65	
PCX16	[Profile]	2	[Material]	H-56	
ETD093	[Profile]	1	[Material]	W/2-20	PRIMARY
ETD093	[Profile]	1	[Material]	W/2-40	SECONDARY
ETC161 OR ETC164	[Profile]	4	[Material]	H-208	
ETC161 OR ETC164	[Profile]	4	[Material]	H-192	
ETC161 OR ETC164	[Profile]	4	[Material]	W/2-163	
ETC161 OR ETC164	[Profile]	4	[Material]	W/2-163	
EUD03	[Profile]	1	[Material]	W	
PCX15	[Profile]	2	[Material]	W/2-44	
PCX15	[Profile]	2	[Material]	H-59	

ACCESSORIES(DOOR WITH MIDRAIL)

Part	Qty	Material	Description
ETD030	1	W/2-163	MIDRAIL
ETC161 or ETC164	2	W/2-163	BEADS
ETC161	2	H1-165	BEADS
ETC161	2	H2-153	BEADS
ETC164	2	H1-157	BEADS
ETC164	2	H2-163	BEADS
ACVG31	-	2W	GASKET
ACVG34	-	2W	GASKET
PUA056SSZ	8	-	SCREWS

GLASS SIZES	Value
H	H - 188
W	W/2-173
MIDRAIL	H1 - 144.5
	H2 - 143

ACCESSORIES

Part	Qty	Material	Description	Part	Qty	Material	Description
ACET045	8	-	VENT FRAME CHEVRON	ACSH038	-	2W	BRUSH PILE
ACET053	1	-	END CAP	ACSH039	-	W+2H	BRUSH PILE
ACET054	6 or 8	-	HINGES	ACVG31	-	2(W+4H)	GASKET
ACET055	8	-	VENT FRAME CHEVRON	ACVG34	-	2(W+4H)	GASKET
ACET056	8	-	VENT FRAME CLEAT	ACVL032	-	W+4H	SEAL
ACET058	2	-	OUTER FRAME CLEAT	ACVL117	1	-	CYLINDER
ACET059	2	-	OUTER FRAME CLEAT	RCA054	20	-	SCREWS
ACET071	2 PAIR	-	THRESHOLD END CAPS	RUA090	1	-	HANDLE
ACET08*	1	-	LOCK	UUA412	4	-	DRAINAGE COWL
ACET103	PAIR	-	BOLTS	WCA106	2	-	OUTER FRAME CHEVRON

